

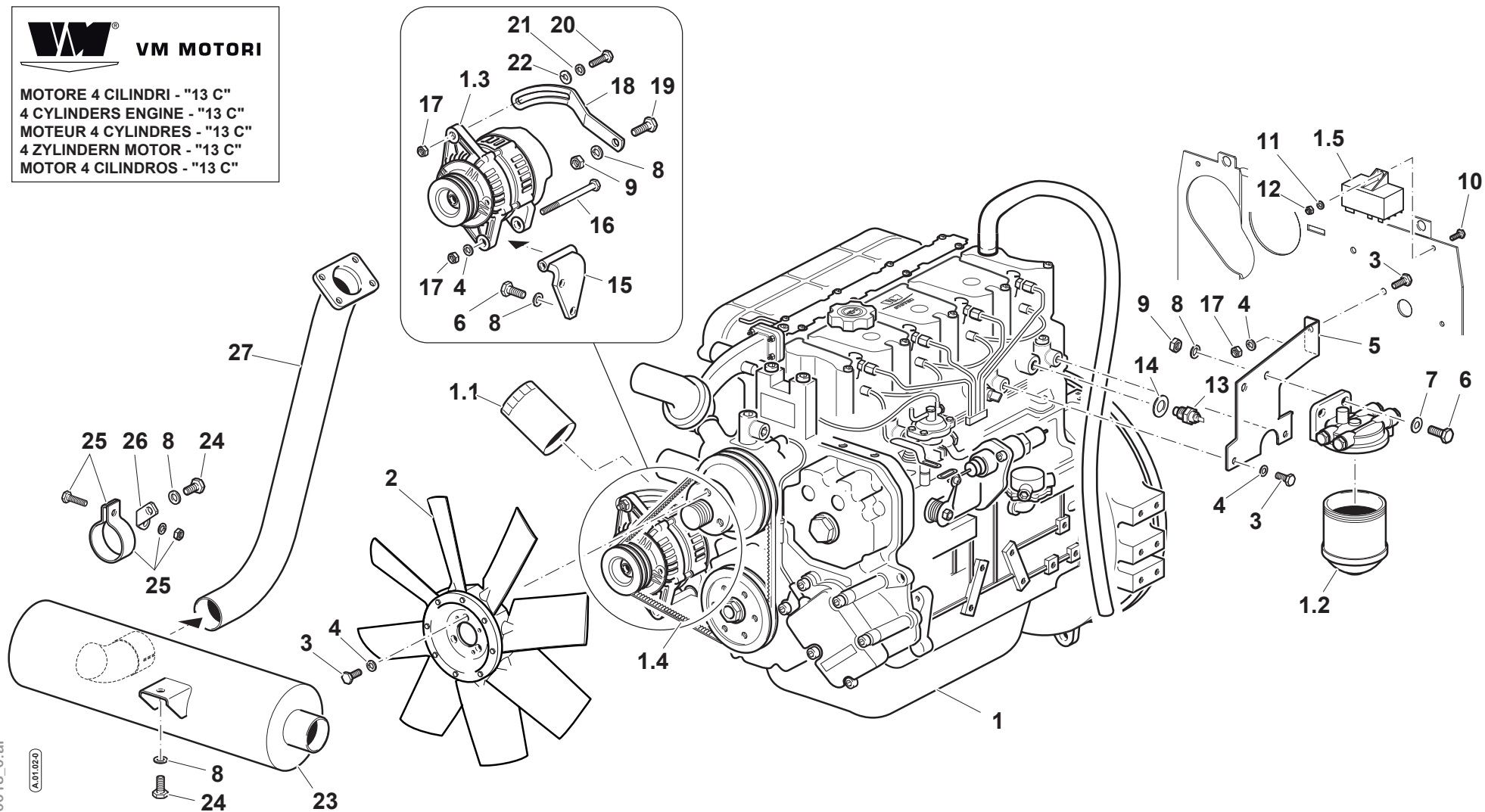
Inhoudsopgave

Achteras Aandrijving	86
Achteras Behuizing	60
Brandstof Tank	16
Bumper & Motorkapsluiting	18
Dashbord	36
Differentieel Slott	90
Driepunt	156
Eindvertraging Wiel	88
Elecktrisch	110
Front Gewichten & Beugel	168
Gaskabels	8
Hydrauliek	116
Hydrauliek Hef	128
Hydrauliek Stuur	122
Hydrauliek Ventielen	126
Knikstuk As	56
Koppeling	64
Koppeling Pedalen & Aansturing	72
Luchtfiler	12
Mechanisch Slot	84
Motor	4
Motorkap	20
Oliekoeler	120
P.T.O.	92
P.T.O. Schakeling	104
Radiator & Slangen	10
Rem Pedaal	108
Remmen	106
Rolbeugel & Spatschermen Voor	24
Schakelpoken & Gaffels	80
Schakelpook & Zitting Montage	48
Spatschermen Achter	30
Stickers	34
Tandwielen	76
Treplanken & Kappen	26
Trekhaak	164
Vooras Aandrijving	62
Vooras Behuizing	54
Wielen & Banden	170
Zittingen	50
Parts Index	174

Code	Description	Notes
A.01.02.L50018_0	ENGINE	
A.01.02.L50018_1	ENGINE	
A.02.03.L50018_0	ENGINE CONTROLS	
A.03.02.L50018_0	COOLER	
A.04.01.L50017_0	AIR FILTER	
A.04.02.L50017_0	AIR FILTER WITH EXTERNAL AIR INTAKE	
A.05.01.L50017_0	FUEL TANK	
B.01.02.L50018_0	FRONT SUPPORT	
B.02.01.L50017_0	BONNET	
B.03.03.L50003_0	FRONT MUDGUARDS	
B.04.04.L50003_0	BOARDS	
B.05.03.L50003_0	REAR MUDGUARDS	
B.07.03.L50003_0	PLATES AND STICKERS	
B.08.01.L50017_0	DASHBOARD	
B.08.01.L50017_1	DASHBOARD	
B.08.01.L50017_2	DASHBOARD	
B.09.01.L50017_0	SEAT SUPPORT / GEAR LEVERS COVER	
B.12.01.L50017_0	SEAT (STANDARD)	
B.12.02.L50017_0	SEAT (KAB)	
C.01.02.L50003_0	FRONT AXLE	
C.02.02.L50003_0	CENTRAL SECTION	
C.03.02.L50003_0	REAR AXLE	
D.01.02.L50003_0	FRONT TRANSMISSION	
D.02.02.L50003_0	CLUTCH FRONT SHAFT/ TRANSMISSION CLUTCH	
D.02.02.L50003_1	CLUTCH FRONT SHAFT/ TRANSMISSION CLUTCH	
D.03.01.L50017_0	CLUTCH CONTROLS	
D.04.01.L50017_0	INPUT SHAFT/RANGES MAIN SHAFT/GEARS	
D.05.01.L50017_0	GEARS MAIN SHAFT/GEARS	
D.07.01.L50017_0	GEARBOX CONTROLS	
D.08.01.L50017_0	LOCK MECCANICO	
D.09.02.L50003_0	REAR TRANSMISSION	
D.10.01.L50017_0	EPYCICLIC REDUCTION GEARS	
D.11.01.L50017_0	SLIDING GEAR	
D.12.01.L50017_0	POWER TAKE-OFF	

Code	Description	Notes
D.12.01.L50017_1	POWER TAKE-OFF	
D.13.01.L50017_0	POWER TAKE-OFF CONTROLS	
D.14.02.L50003_0	BRAKES	
D.15.03.L50003_0	BRAKES CONTROLS	
E.01.01.L50017_0	FRONT ELECTRICAL SYSTEM	
E.02.02.L50018_0	ENGINE ELECTRIC SYSTEM	
E.03.01.L50017_0	REAR ELECTRICAL SYSTEM	
F.01.04.L50004_0	HYDR. SYSTEM DOUBLE OIL SUCTION	
F.02.02.L50018_0	HYDR. SYSTEM : HEAT EXCHANGER	
F.03.03.L50003_0	STEERING HYDR. SYSTEM	
F.04.01.L50017_0	PTO /DIFFERENTIAL LOCK HYDR. SYSTEM	
I.01.01.L50017_0	HYDR. CONTROL VALVES: AVAILABLE PARTS	
L.01.01.L50017_0	RAISE/LOWER LIFT	
L.02.05.L50003_0	FREE DISCHARGE CONTROL VALVES VERSION	
L.02.05.L50003_1	FREE DISCHARGE CONTROL VALVES VERSION	
L.02.06.L50003_0	CONTROL VALVES WITHOUT FREE DISCHARGE VERSION	
L.02.06.L50003_1	CONTROL VALVES WITHOUT FREE DISCHARGE VERSION	
M.01.01.L50017_0	POSITION AND DRAFT CONTROL LIFT	
M.02.03.L50003_0	FREE DISCHARGE CONTROL VALVES VERSION	
T.02.01.L50003_0	IMPLEMENTS ATTACHMENT - STANDARD	
T.02.02.L50003_0	IMPLEMENTS ATTACHMENT - STRAIGHT ARMS VERSION	
T.03.01.L50003_0	PULL HOOK - STD	
T.03.02.L50003_0	POOL HOOK "EEC" APPROVED	
T.04.01.L50018_0	FRONT BALLASTS	
W.03.01.L50003_0	WHEELS AND TYRES (TABLE 1/2)	
W.03.02.L50003_0	WHEELS AND TYRES (TABLE 2/2)	

VM MOTORI
 MOTORE 4 CILINDRI - "13 C"
 4 CYLINDERS ENGINE - "13 C"
 MOTEUR 4 CYLINDRES - "13 C"
 4 ZYLINDER MOTOR - "13 C"
 MOTOR 4 CILINDROS - "13 C"



Pos.	Code	Q.ty	Description	Notes
10	31112090	1	SCREW TE M6X16 UNI 5739 8G	
3	31112150	6	SCREW TE M8X20 UNI 5739 8G	
20	31112152	1	SCREW TE M8X30 UNI 5739 8G	
16	31112174	1	SCREW TE M8X110 UNI 5737 8.8	
24	31112210	2	SCREW TE M10X20 UNI 5739	
19	31112211	1	SCREW TE M10X30 UNI 5739	
6	31112219	4	SCREW TE M10X25 UNI 5739	
12	31212060	1	NUT	
22	31411090	1	WASHER 9x24	
7	31411105	2	WASHER 10,5x21	
21	31421083	1	WASHER	
1	41S50000	1	MOT.VM D754E1.20A (41S50001) *	
26	56075120	1	BRACKET	
18	56174728	1	TENSION ROLLER	
5	56175189	1	RETAINER	
13	58170233	1	DIGITAL INSTRUMENT	
1,1	58171199	1	OIL FILTER CARTRIDGE	
1,2	58171200	1	FUEL FILTER CARTRIDGE	
23	58174612	1	EXHAUST SILENCER	
2	58174959	1	FAN	
25	58175121	1	COLLAR	
27	59074624	1	EXHAUST	
15	59074727	1	SUPPORT	
1,4	59900337	1	BELT	
1,3	59900344	1	ALTERNATOR	
1,5	59900345	1	CENTRAL PROCESSING UNIT	
17	F0814574000	3	NUT	
9	F0814632000	3	NUT M10	
11	F0843570000	1	WASHER 6	
4	F0843643060	7	WASHER 8	
8	F0843755000	7	WASHER 10	
14	F0844030070	1	COPPER WASHER 16,0x22/1,5	

SERIAL

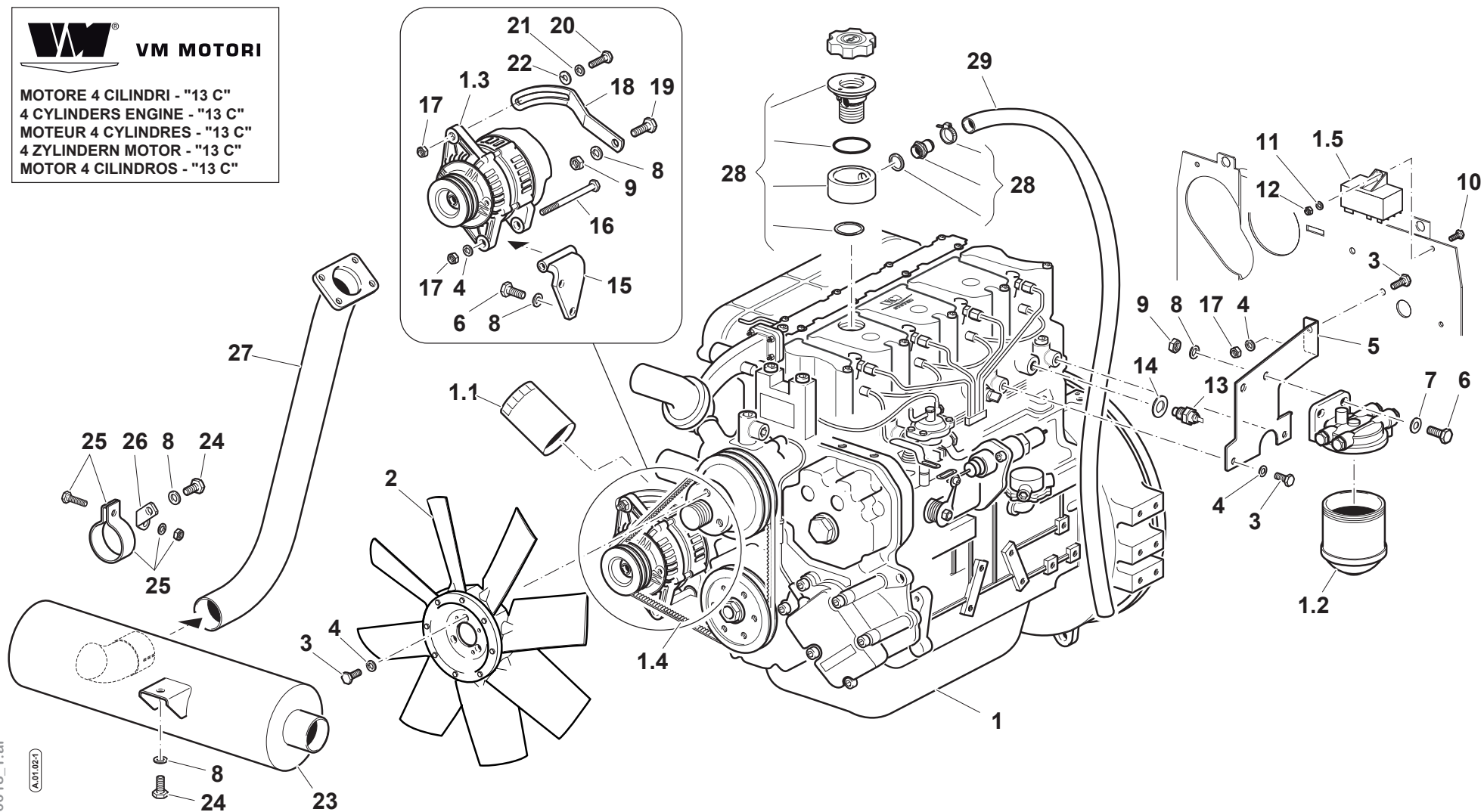
ENGINE

CODE REV

A.01.02.L50018_0

VM MOTORI

MOTORE 4 CILINDRI - "13 C"
 4 CYLINDERS ENGINE - "13 C"
 MOTEUR 4 CYLINDRES - "13 C"
 4 ZYLINDER MOTOR - "13 C"
 MOTOR 4 CILINDROS - "13 C"



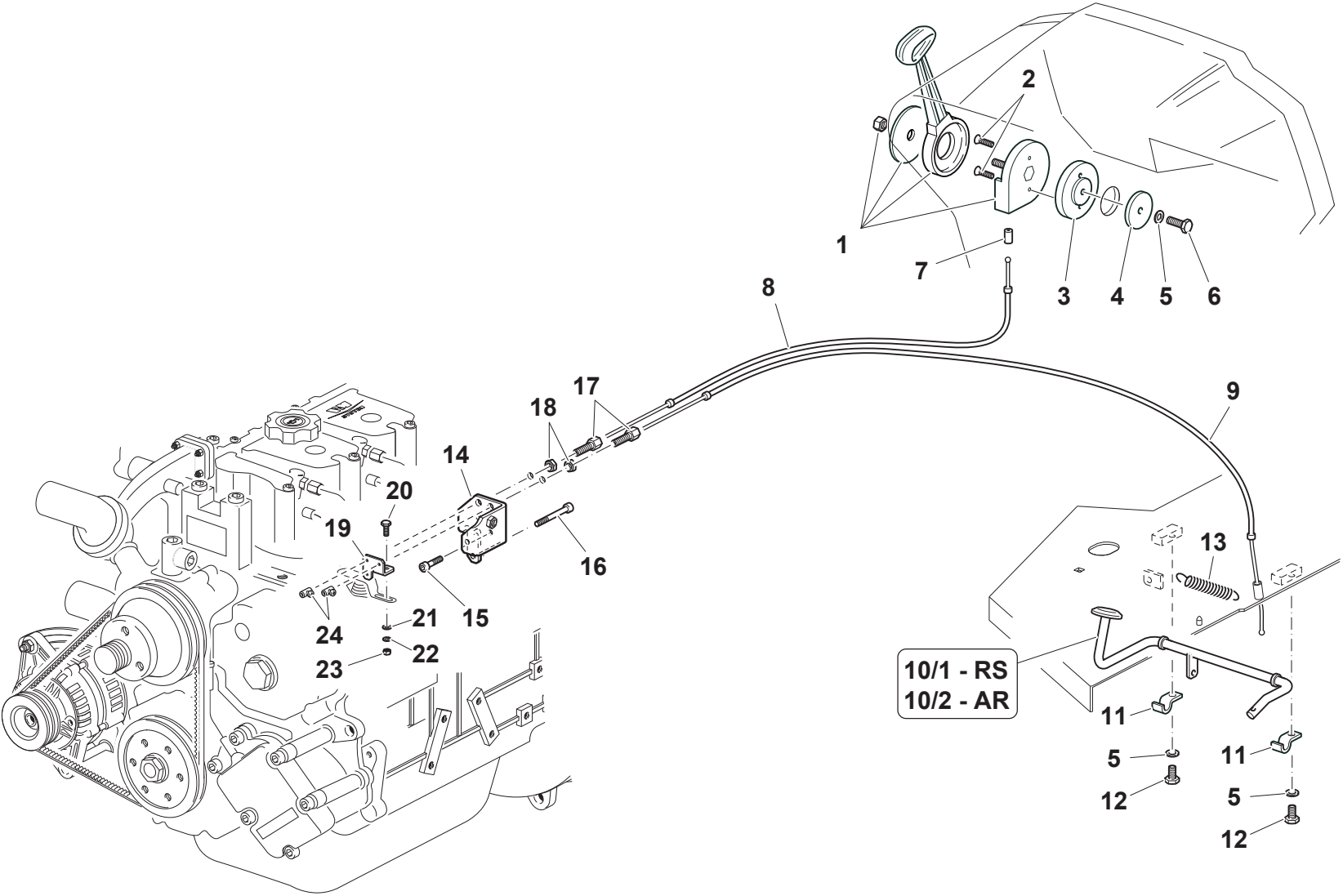
Pos.	Code	Q.ty	Description	Notes
10	31112090	1	SCREW TE M6X16 UNI 5739 8G	
3	31112150	6	SCREW TE M8X20 UNI 5739 8G	
20	31112152	1	SCREW TE M8X30 UNI 5739 8G	
16	31112174	1	SCREW TE M8X110 UNI 5737 8.8	
24	31112210	2	SCREW TE M10X20 UNI 5739	
19	31112211	1	SCREW TE M10X30 UNI 5739	
6	31112219	4	SCREW TE M10X25 UNI 5739	
12	31212060	1	NUT	
22	31411090	1	WASHER 9x24	
7	31411105	2	WASHER 10,5x21	
21	31421083	1	WASHER	
1	41S50001	1	MOTORE VM D754E1.20A+SFIATO *	
26	56075120	1	BRACKET	
18	56174728	1	TENSION ROLLER	
5	56175189	1	RETAINER	
29	58075607	1	OIL PIPE	
1,1	58171199	1	OIL FILTER CARTRIDGE	
1,2	58171200	1	FUEL FILTER CARTRIDGE	
23	58174612	1	EXHAUST SILENCER	
2	58174959	1	FAN	
25	58175121	1	COLLAR	
13	58175773	1	ELECTRONICAL THERMOMETER	
27	59074624	1	EXHAUST	
15	59074727	1	SUPPORT	
1,4	59900337	1	BELT	
1,3	59900344	1	ALTERNATOR	
1,5	59900345	1	CENTRAL PROCESSING UNIT	
28	59900357	1	DIGITAL INSTRUMENT	
17	F0814574000	3	NUT	
9	F0814632000	3	NUT M10	
11	F0843570000	1	WASHER 6	
4	F0843643060	7	WASHER 8	
8	F0843755000	7	WASHER 10	
14	F0844030070	1	COPPER WASHER 16,0x22/1,5	

SERIAL

ENGINE

CODE REV

A.01.02.L50018_1

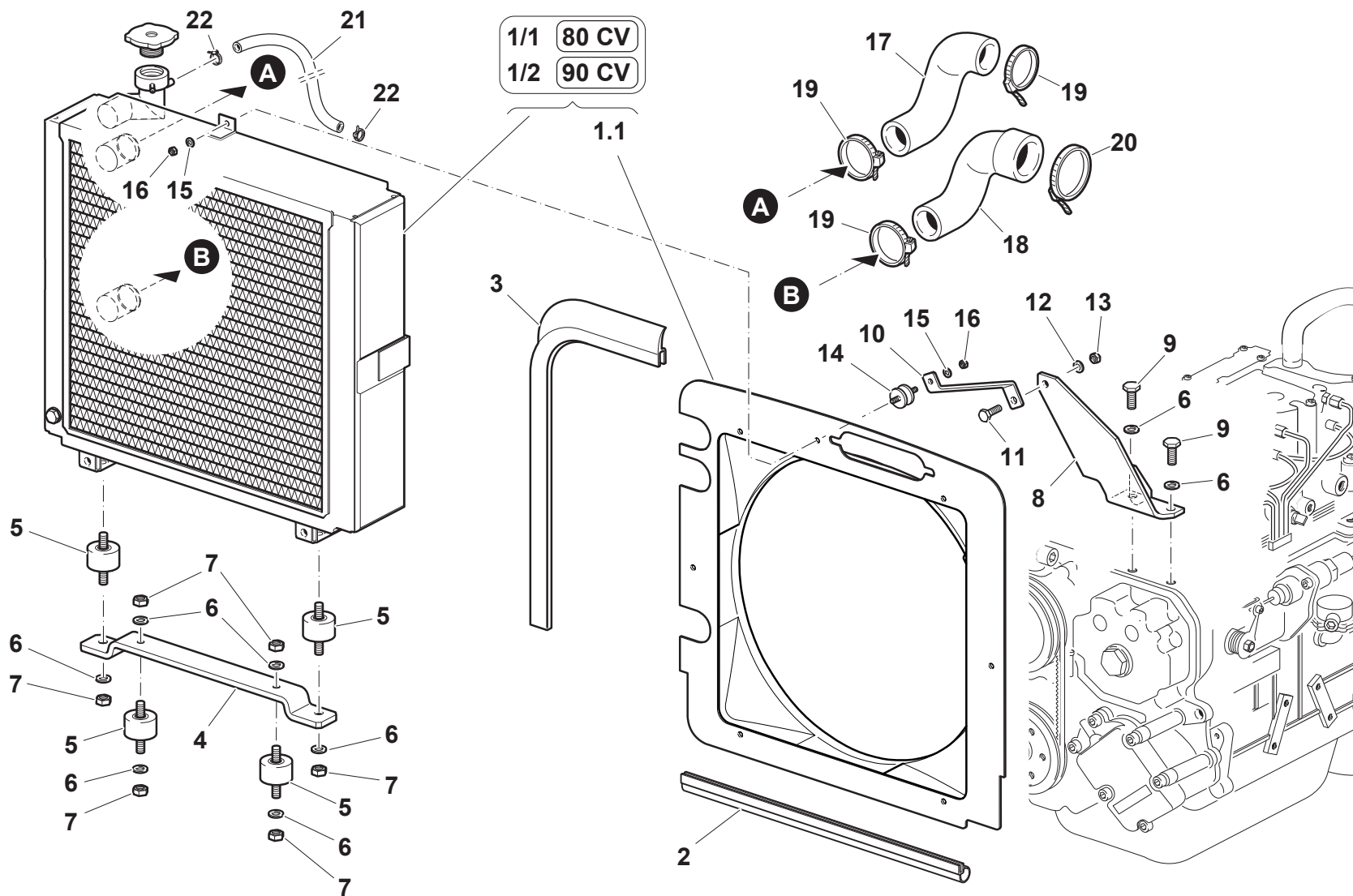


A.02.03.L50018_0.ai

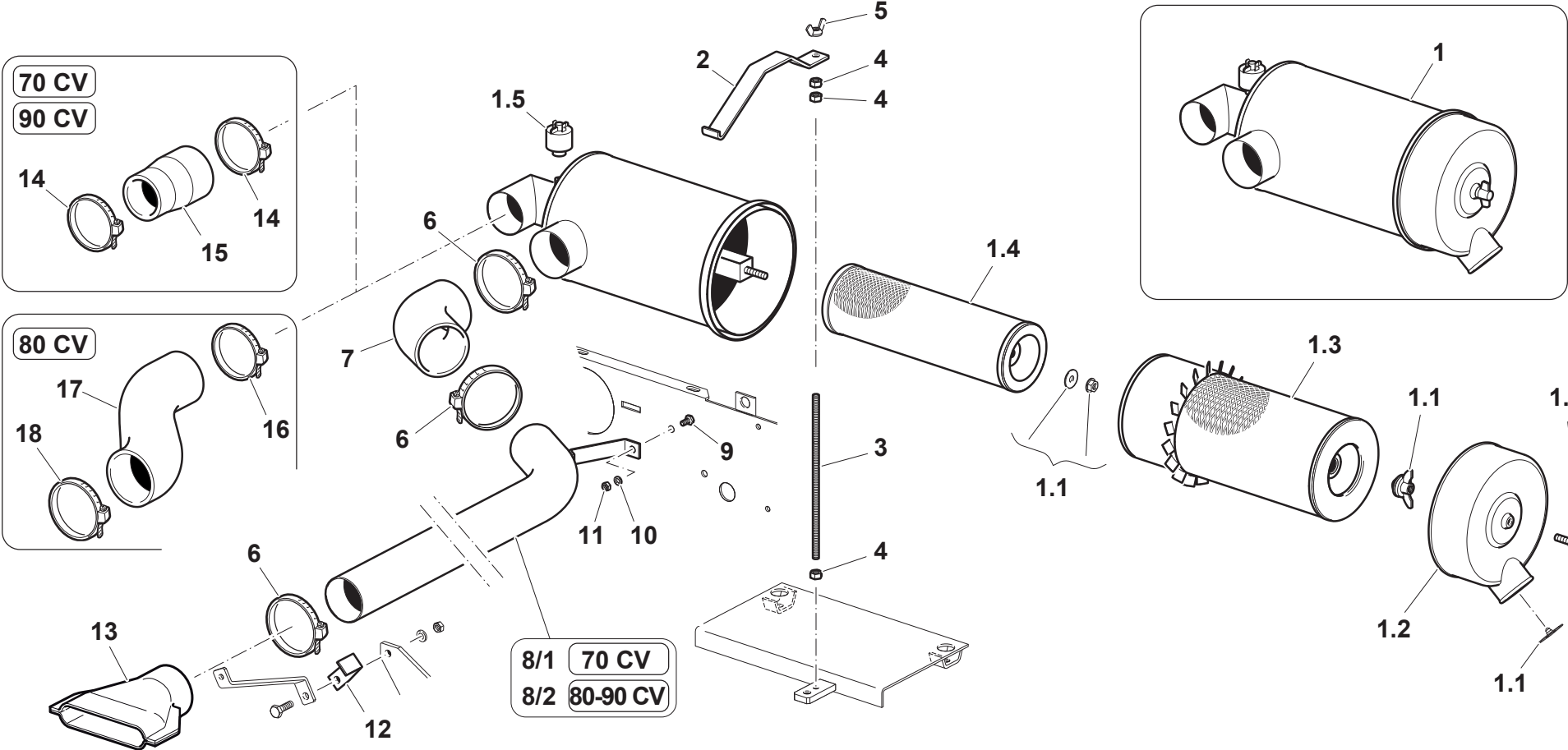
A.02.03-0

Pos.	Code	Q.ty	Description	Notes
20	31112051	1	SCREW TE M5X14 UNI 5739 8G	
12	31112148	2	SCREW TE M8X18 UNI 5739 8G	
6	31112150	1	SCREW TE M8X20 UNI 5739 8G	
2	31132562	2	SCREW TSVEI M6X16 UNI 5933	
15	31152060	1	SCREW TCEI M6X30 UNI 5931	
16	31152068	1	SCREW TCEI M6X55 UNI 5931	
23	31211050	1	NUT M5	
18	31231080	2	NUT M8	
21	31411053	1	WASHER 5,3x10	
11	56071768	2	PLATE	
3	56171877	1	FLANGE	
4	56171883	1	WASHER	
19	56174660	1	CONNECTION	
14	56174661	1	BRACKET	
24	58048002	2	CLAMPING SCREW	
9	58072074	1	CABLE	
8	58074825	1	CABLE	
10/02	59073681	1	ACCEL. PEDAL	
10/01	59074346	1	ACCEL. PEDAL	
1	F0828029070	1	ACCELERATOR	
13	F0831125000	1	SPRING	
22	F0843561000	1	WASHER 5	
5	F0843643060	3	WASHER 8	
17	F0858021000	2	REGISTER	
7	F0858520000	1	SLEEVE	

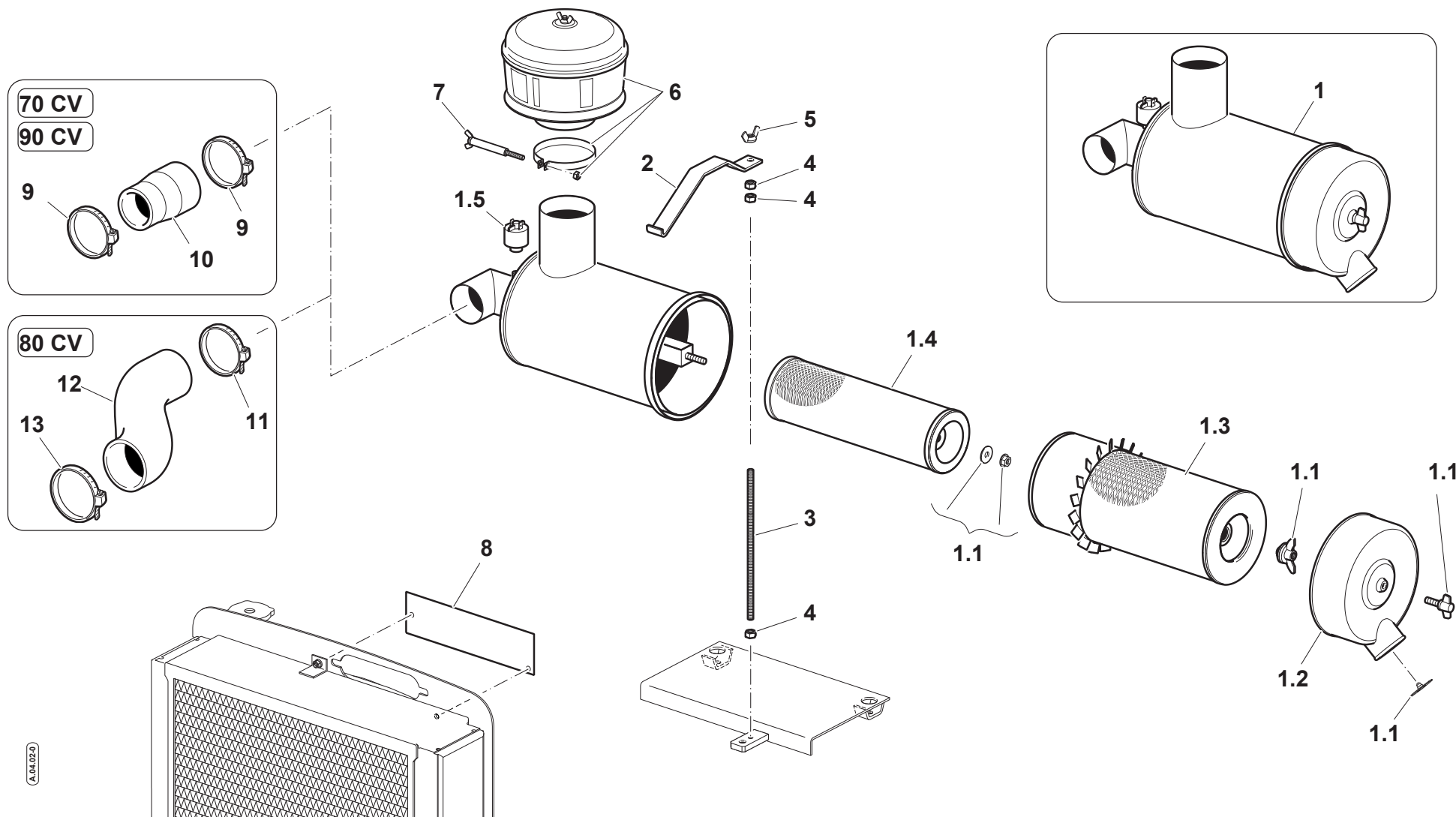
COOLER



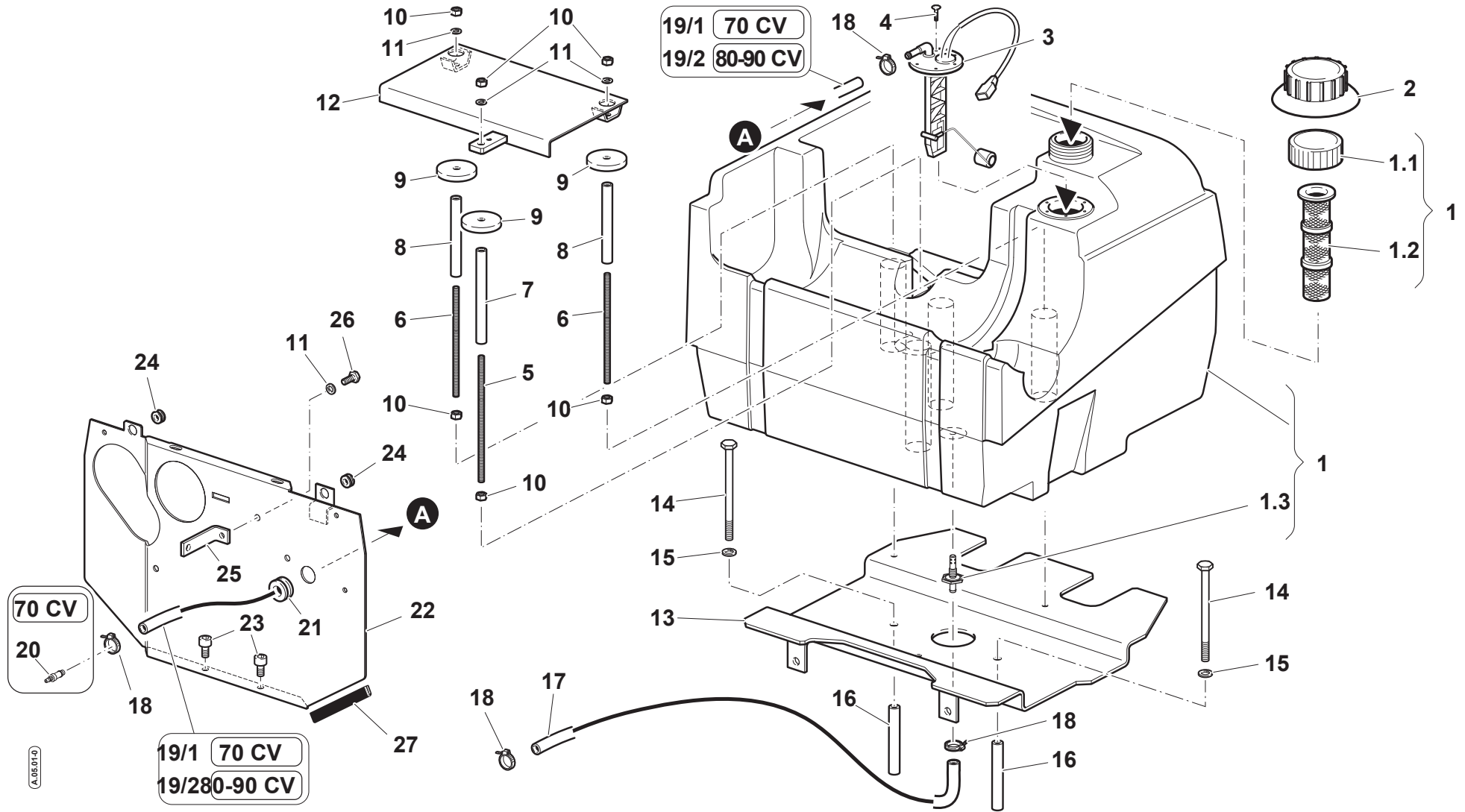
Pos.	Code	Q.ty	Description	Notes
11	31112151	1	SCREW TE M8X25 UNI 5739 8G	
9	31112219	2	SCREW TE M10X25 UNI 5739	
17	55174632	1	SLEEVE	
18	55174633	1	SLEEVE	
4	56174629	1	FIXING BRACKET	
10	56174631	1	FIXING BRACKET	
21	58074874	1	VENT HOSE	
1/02	58174604	1	RADIATOR	
1/01	58174605	1	RADIATOR	
5	58174608	4	SILENT-BLOCK	
1,1	58175085	1	DUCT	
8	59074630	1	FIXING BRACKET	
3	F0256809050	1	GASKET	
16	F0814545000	2	NUT M6	
13	F0814574000	1	NUT	
7	F0814632000	6	NUT M10	
22	F0817512000	2	CLAMP	
19	F0817535000	3	CLAMP	
20	F0817550000	1	CLAMP	
15	F0843570000	2	WASHER 6	
12	F0843643060	1	WASHER 8	
6	F0843755000	8	WASHER 10	
14	F0849206005	1	SILENT-BLOCK	
2	P000000260007	1	GASKET	



Pos.	Code	Q.ty	Description	Notes
9	31112082	1	SCREW TE M6X12 UNI 5739 8G	
5	31200501	1	NUT M8	
7	55172355	1	SLEEVE	
15	55174760	1	SLEEVE	
17	55174761	1	SLEEVE	
3	56174635	1	ROD	
2	56174636	1	FIXING BRACKET	
12	56174637	1	FIXING BRACKET	
13	57372341	1	SOCKET	
1,4	58171027	1	CARTOUCHE	
1,3	58171028	1	CARTOUCHE	
1	58172359	1	AIR FILTER	
1,5	58173165	1	INDICATOR	
08-feb	59074638	1	PIPE	
08-gen	59075190	1	PIPE	
1,2	59900347	1	COVER	
1,1	59900353	1	KIT	
11	F0814574000	1	NUT	
4	F0814574000	3	NUT	
14	F0817568000	2	CLAMP	
16	F0817568000	1	CLAMP	
18	F0817568100	1	CLAMP	
6	F0817568100	3	CLAMP	
10	F0843570000	1	WASHER 6	



Pos.	Code	Q.ty	Description	Notes
5	31200501	1	NUT M8	
10	55174760	1	SLEEVE	
12	55174761	1	SLEEVE	
3	56174635	1	ROD	
2	56174636	1	FIXING BRACKET	
8	56174976	1	STRIKER PLATE	
1,4	58171027	1	CARTOUCHE	
1,3	58171028	1	CARTOUCHE	
6	58171069	1	PRECLEANER	
1,5	58173165	1	INDICATOR	
1	58175044	1	AIR FILTER	
7	59073184	1	SCREW	
1,2	59900347	1	COVER	
1,1	59900353	1	KIT	
4	F0814574000	3	NUT	
11	F0817568000	1	CLAMP	
9	F0817568000	2	CLAMP	
13	F0817568100	1	CLAMP	



Pos.	Code	Q.ty	Description	Notes
14	31111218	2	SCREW TE M10X140 UNI 5737 8G	
26	31112150	1	SCREW TE M8X20 UNI 5739 8G	
1	55274314	1	FUEL TANK	
9	56170275	3	SPACER	
16	56170276	2	SPACER	
20	56172950	1	PIPE FITTING	
25	56174618	1	FIXING BRACKET	
5	56174619	1	ROD	
6	56174620	2	ROD	
7	56174621	1	SPACER	
8	56174622	2	SPACER	
1,3	57174915	1	PIPE FITTING	
2	57371900	1	LINING	
17	58070690	1	PIPE	
19-feb	58074895	1	PIPE	
19-gen	58075193	1	FLEXIBLE HOSE	
3	58170238	1	CONTROL	
21	58171901	1	CABLE GLAND 15,5-24-32-2	
13	59072380	1	SUPPORT	
22	59074617	1	DIVISION	
12	59074639	1	BATTERY SUPPORT	
27	F0256808000	1	FLAT BAND	
10	F0814574000	6	NUT	
18	F0817512000	4	CLAMP	
24	F0825414000	2	CABLE GLAND 7-15-18,5-2,5	
11	F0843643060	4	WASHER 8	
15	F0843755000	2	WASHER 10	
1,1	F0849500001	1	TANK COVER	
1,2	F0849500002	1	FILTER	
4	F0861867050	6	SCREW M4,2X19 DIN 7981	
23	F0862464050	2	SCREW UNI 5931	

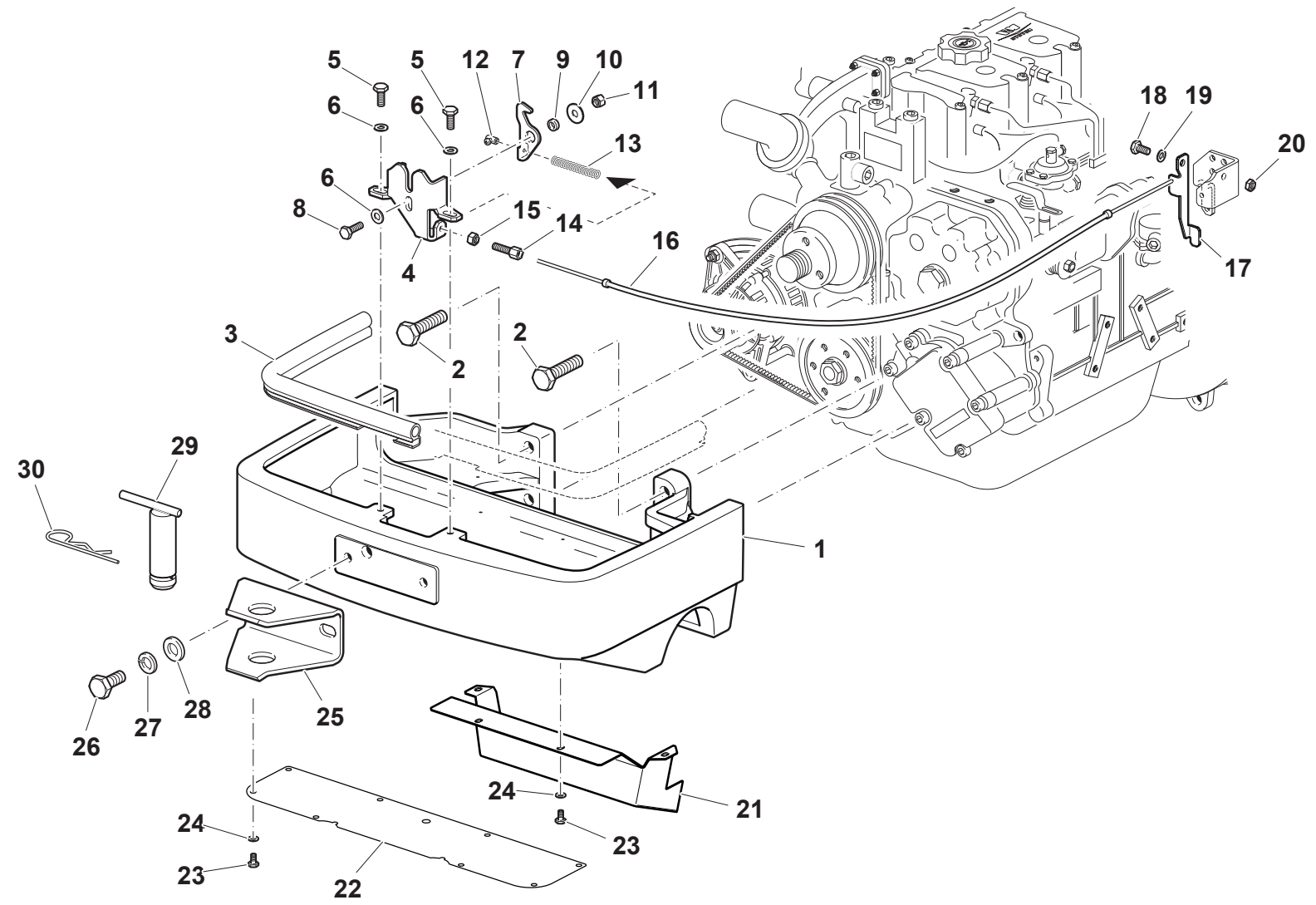
SERIAL

FUEL TANK

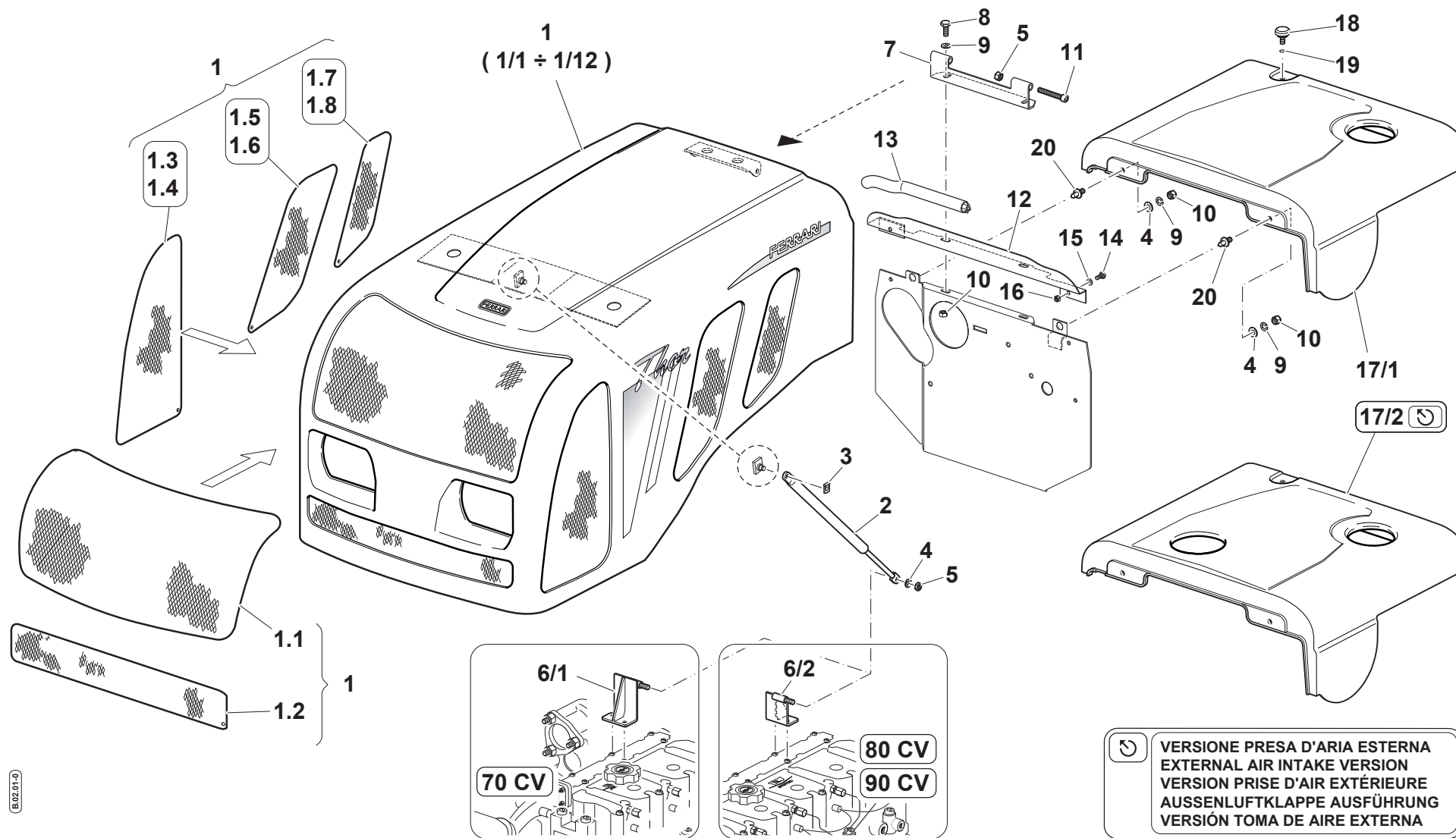
CODE REV

A.05.01.L50017_0

FRONT SUPPORT



Pos.	Code	Q.ty	Description	Notes
18	31111151	1	SCREW TE M8X16 UNI 5739 8G	
2	31111331	4	SCREW TE M14X50 UNI5739 8G	
23	31112082	12	SCREW TE M6X12 UNI 5739 8G	
5	31112150	2	SCREW TE M8X20 UNI 5739 8G	
8	31112151	1	SCREW TE M8X25 UNI 5739 8G	
26	31112328	2	SCREW TE M14X35 UNI 5739	
15	31231080	1	NUT M8	
11	31241080	1	HEXAGON SELFLOCK NUT M8	
6	31411084	3	WASHER 8,4x17	
10	31411090	1	WASHER 9x24	
28	31411150	2	WASHER 15x28	
1	51175800	1	FRONT SUPPORT	
4	56174657	1	FIXING BRACKET	
7	56174658	1	HOOD HOOK	
9	56174659	1	SPACER	
17	56174691	1	LEVER	
25	56174873	1	TOW HOOK	
21	56175158	1	SHIELD	
22	56175799	1	DIVISION	
12	58048002	1	CLAMPING SCREW	
16	58074831	1	CABLE	
3	58174882	1	HOOD SEAL	
29	59075283	1	PIN	
20	F0814569000	1	NUT	
13	F0831065000	1	SPRING	
24	F0843570000	12	WASHER 6	
19	F0843643060	1	WASHER 8	
27	F0843921030	2	WASHER 14	
30	F0851497000	1	SPLIT PIN	
14	F0858021000	1	REGISTER	



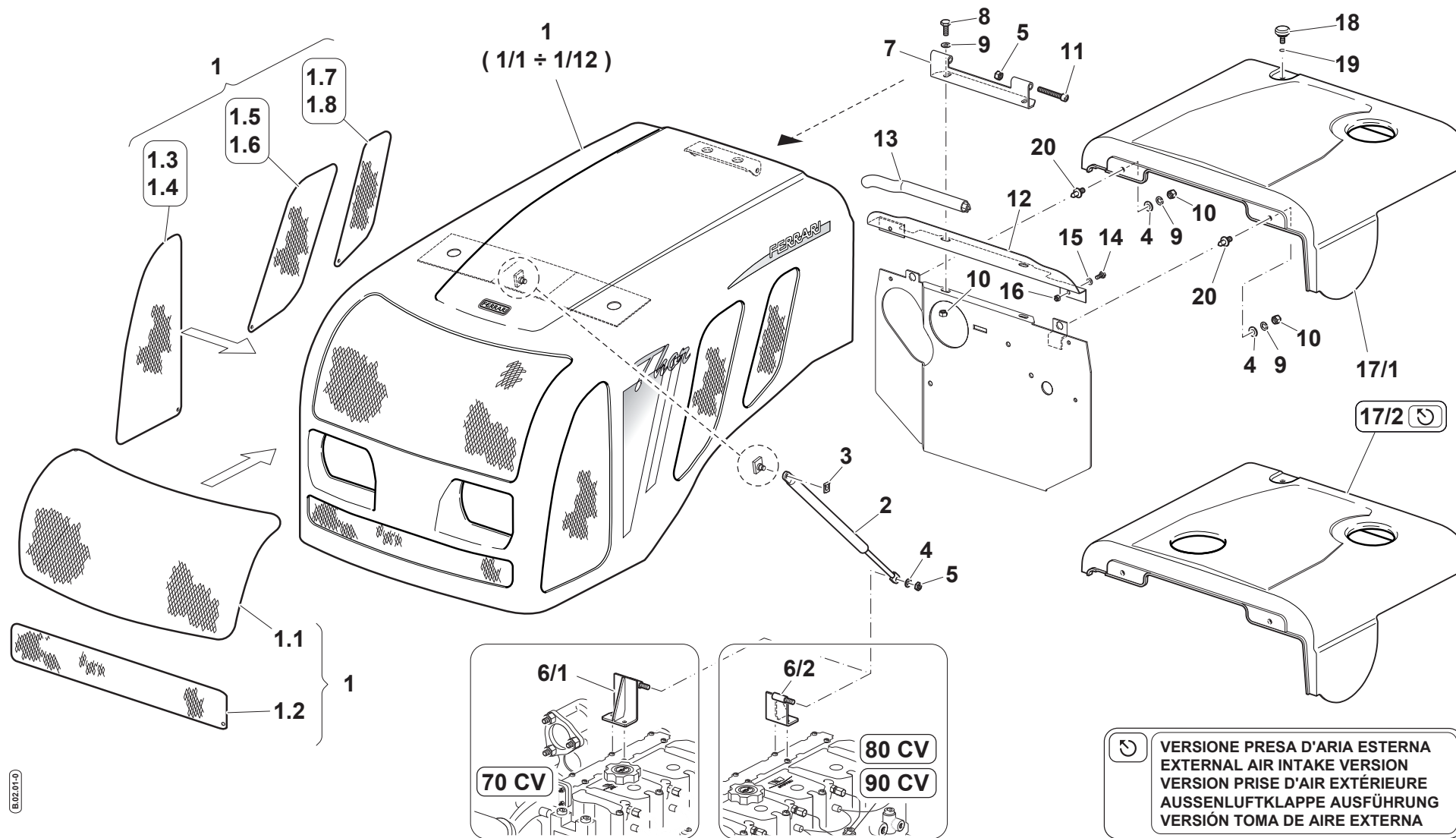
Pos.	Code	Q.ty	Description	Notes
14	31111091	2	SCREW E M6X14 UNI 5739 8G	
8	31112150	2	SCREW TE M8X20 UNI 5739 8G	
11	31152088	2	SCREW TCEI M8X55 UNI 5931	
16	31212060	2	NUT	
4	31411084	3	WASHER 8,4x17	
19	35211060	1	SEEGER RING	
1,1	56174569	1	FRONT GRILL	
1,3	56174647	1	FRONT GRILL	
1,4	56174648	1	FRONT GRILL	
1,2	56174649	1	FRONT GRILL	
1,5	56174650	1	FRONT GRILL	
1,7	56174651	1	FRONT GRILL	
7	56174654	1	BRACKET	
12	56174656	1	HOLDING	
18	56174835	1	KNOB	
1,8	56175364	1	FRONT GRILL	
1,6	56175365	1	FRONT GRILL	
17-gen	57374554	1	COVER	
17-feb	57374977	1	COVER	
3	58170436	1	CLIP	
20	59074662	2	PIN	
06-feb	59075601	1	BRACKET	
06-gen	59075602	1	BRACKET	
01-gen	59900298	1	COMPLETE HOOD	
01-feb	59900299	1	COMPLETE HOOD	
01-mar	59900300	1	COMPLETE HOOD	
01-apr	59900301	1	COMPLETE HOOD	
01-mag	59900302	1	COMPLETE HOOD	
01-giu	59900303	1	COMPLETE HOOD	
01-lug	59900304	1	COMPLETE HOOD	
01-set	59900306	1	COMPLETE HOOD	
01-gen	59900307	1	COMPLETE HOOD	
1/011	59900308	1	COMPLETE HOOD	
1/012	59900309	1	COMPLETE HOOD	

SERIAL

BONNET

CODE REV

B.02.01.L50017_0

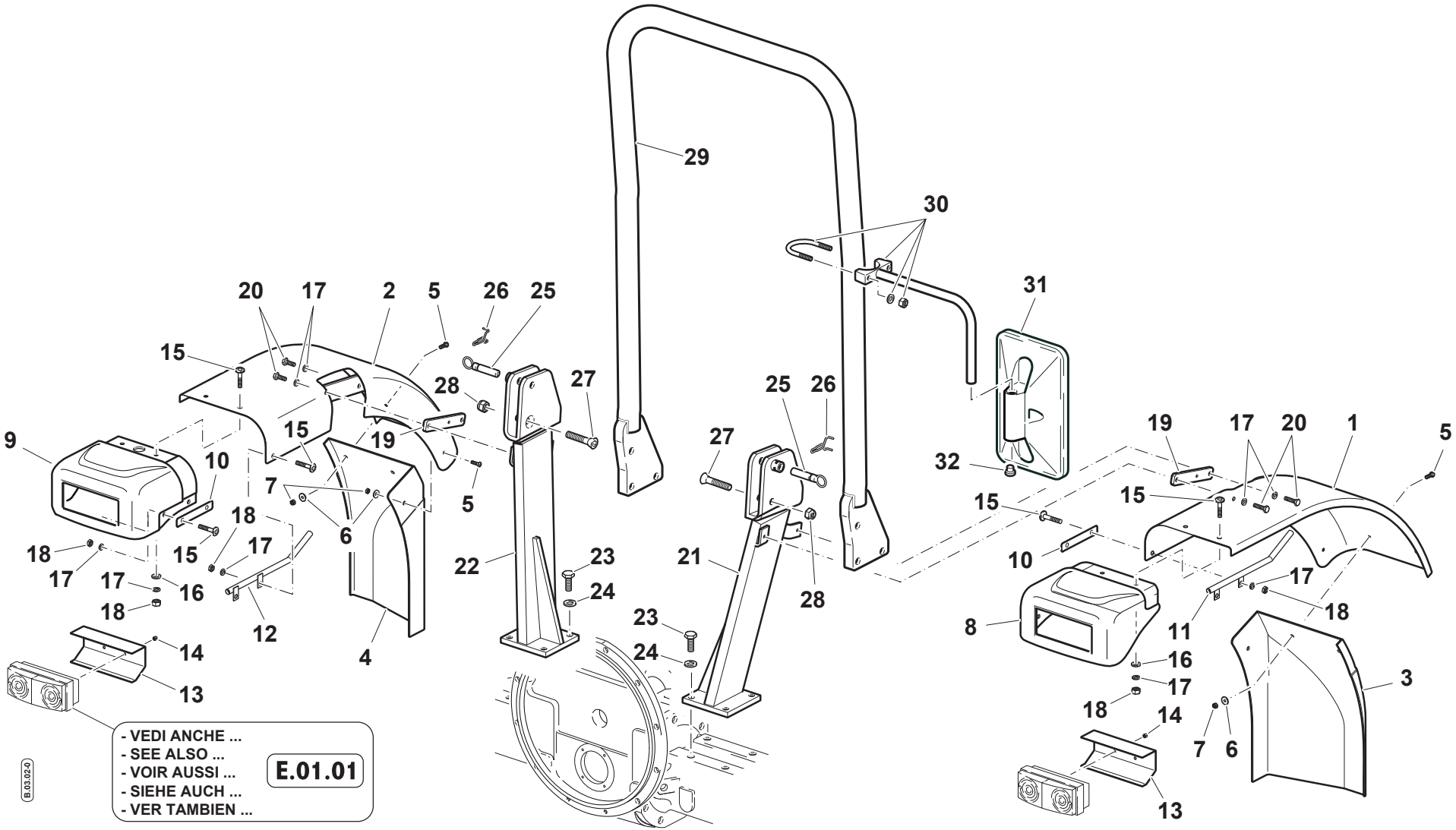


B.02.01.L50017_0.ai

B.02.01.0

Pos.	Code	Q.ty	Description	Notes
10	F0814574000	4	NUT	
5	F0814585000	3	SELFLOCK NUT	
15	F0843570000	2	WASHER 6	
9	F0843643060	4	WASHER 8	
13	P000000260007	1	GASKET	
2	P236410000000	1	SPRING	

FRONT MUDGUARDS



- VEDI ANCHE ...
- SEE ALSO ...
- VOIR AUSSI ...
- SIEHE AUCH ...
- VER TAMBIEN ...

E.01.01

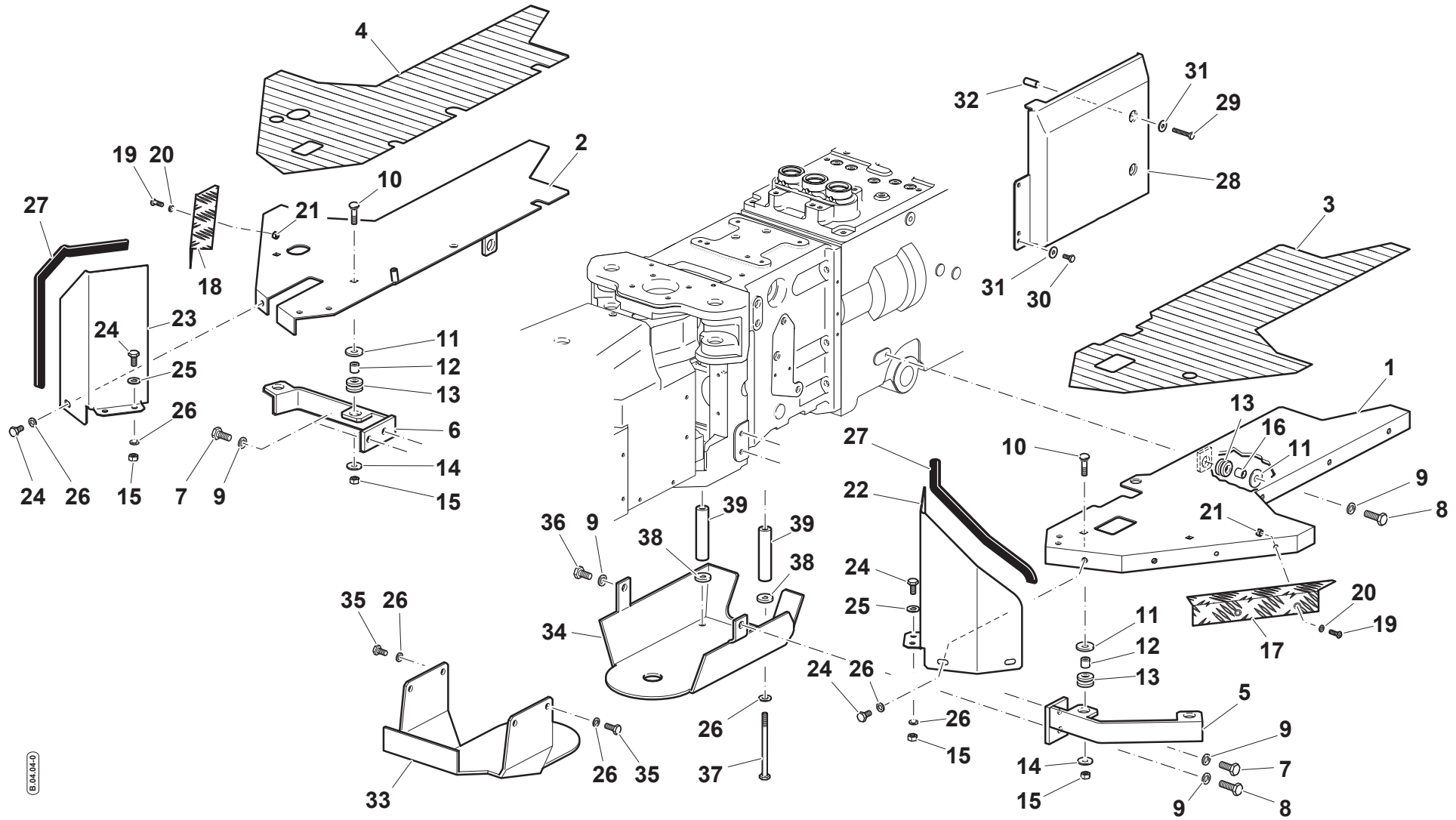
Pos.	Code	Q.ty	Description	Notes
31	30000514	1	REAR VIEW MIRROR	
20	31112151	4	SCREW TE M8X25 UNI 5739 8G	
23	31112272	8	SCREW TE M12X30 UNI 5739	
14	31241051	4	SELFLOCK NUT M5	
28	31241140	2	SELFLOCK NUT	
6	31411066	6	WASHER 6,6x18	
16	31411084	4	WASHER 8,4x17	
13	56171938	2	BRACKET	
19	56172442	2	FIXING BRACKET	
10	56174135	2	FIXING BRACKET	
25	56175540	2	HINGE PIN	
9	57374133	1	SUPPORT	
8	57374134	1	SUPPORT	
4	57374522	1	WING EXTENSION	
3	57374523	1	WING EXTENSION	
26	58070097	2	SPRING	
32	58170968	1	PLUG	
30	59070591	1	SUPPORT	
21	59070902	1	SUPPORT	
22	59070903	1	SUPPORT	
29	59071195	1	SAFETY ROLL BAR	
11	59074392	1	CABLE BARRIER RAIL	
12	59074393	1	CABLE BARRIER RAIL	
1	59074673	1	LEFT FRONT FENDER	
2	59074674	1	RIGHT FRONT FENDER	
7	F0814547000	6	SELFLOCK NUT M6	
18	F0814573000	8	NUT M8	
17	F0843643060	12	WASHER 8	
24	F0843843060	8	WASHER 12	
15	F0862479030	8	SCREW	
5	F0862479035	6	SCREW	
27	F0864309100	2	SCREW	

SERIAL

FRONT MUDGUARDS

CODE REV

B.03.03.L50003_0



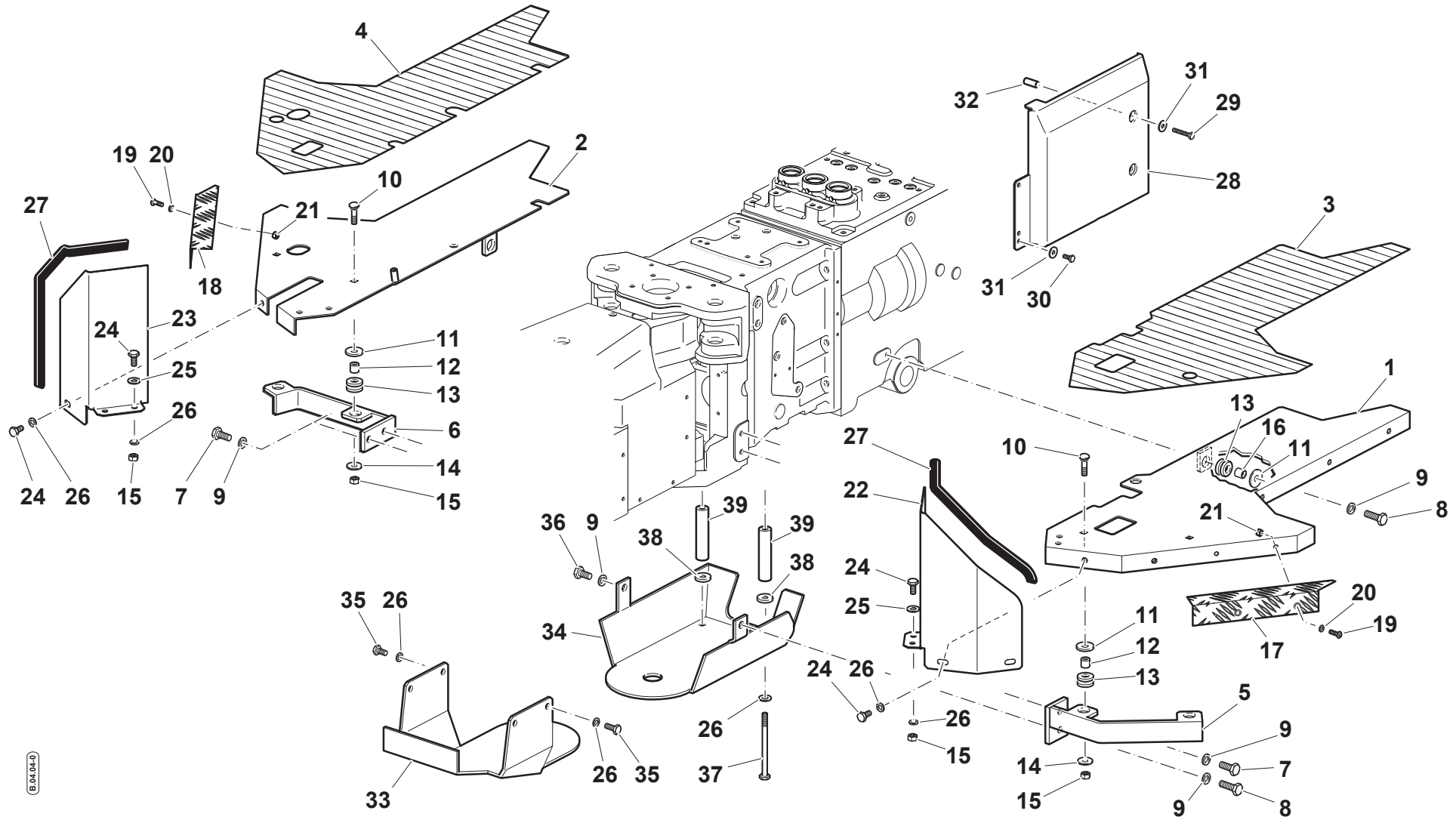
Pos.	Code	Q.ty	Description	Notes
30	31111091	2	SCREW E M6X14 UNI 5739 8G	
29	31112092	2	SCREW TE M6X35 UNI 5739 8G	
24	31112148	8	SCREW TE M8X18 UNI 5739 8G	
35	31112150	4	SCREW TE M8X20 UNI 5739 8G	
37	31112178	2	SCREW TE M8X130 UNI 5737	
36	31112210	1	SCREW TE M10X20 UNI 5739	
8	31112211	3	SCREW TE M10X30 UNI 5739	
7	31112219	3	SCREW TE M10X25 UNI 5739	
10	31122804	4	SCREW	
21	31211060	4	HEXAGONAL NUT M8	
31	31411066	4	WASHER 6,6x18	
25	31411084	4	WASHER 8,4x17	
14	31411090	4	WASHER 9x24	
13	55175174	6	BLOCK	
16	56171954	2	SPACER	
12	56171996	4	SPACER	
23	56174666	1	FOOTBOARD PROTECTION	
22	56174667	1	FOOTBOARD PROTECTION	
32	56174668	2	SPACER	
39	56175718	2	SPACER	
17	57275029	1	ANGULAR	
18	57275031	1	ANGULAR	
28	57374532	1	DIVISION	
4	57374592	1	FOOTREST COVER	
3	57374593	1	FOOTREST COVER	
6	59073674	1	SUPPORT	
5	59073678	1	SUPPORT	
2	59074602	1	RIGHT FOOTBOARD	
1	59074603	1	LEFT FOOTBOARD	
34	59075716	1	SHIELD	
33	59075717	1	SHIELD	
27	F0256808000	2	FLAT BAND	
15	F0814574000	8	NUT	
20	F0843570000	4	WASHER 6	

SERIAL

BOARDS

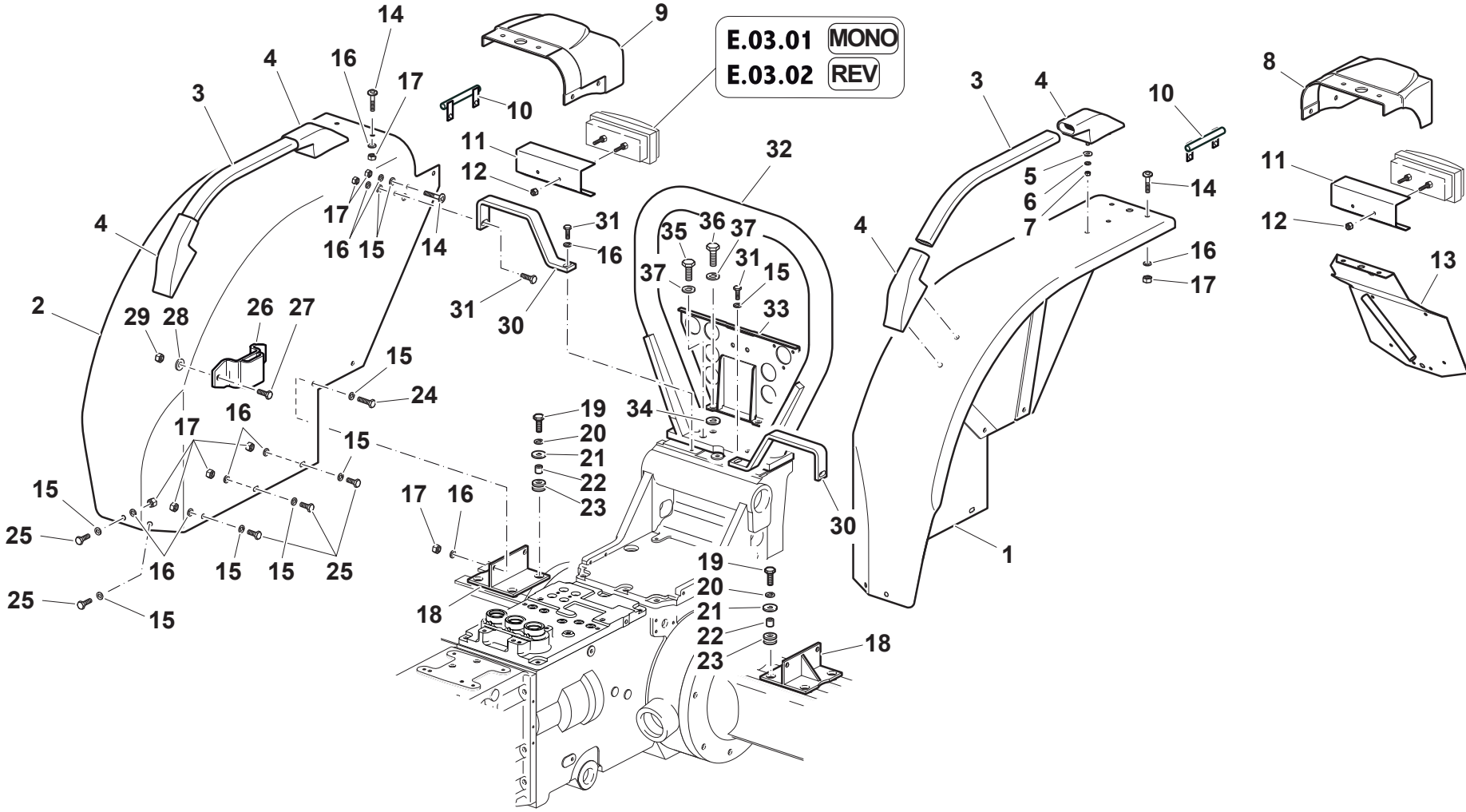
CODE REV

B.04.04.L50003_0



Pos.	Code	Q.ty	Description	Notes
26	F0843643060	14	WASHER 8	
38	F0843711000	2	WASHER D.24x8,5/4	
9	F0843755000	7	WASHER 10	
11	F0843818000	6	WASHER	
19	F0862479035	4	SCREW	

REAR MUDGUARDS



Pos.	Code	Q.ty	Description	Notes
25	31111151	10	SCREW TE M8X16 UNI 5739 8G	
31	31112146	4	SCREW TE M8X22 UNI 5739 8G	
24	31112152	4	SCREW TE M8X30 UNI 5739 8G	
27	31112208	2	SCREW TE M10X16 UNI 5739	
19	31112211	8	SCREW TE M10X30 UNI 5739	
35	31112264	2	SCREW TE M12X35 UNI 5739	
36	31112265	2	SCREW TE M12X40 UNI 5739	
7	31211060	8	HEXAGONAL NUT M8	
29	31212100	2	NUT M10	
12	31241051	4	SELFLOCK NUT M5	
5	31411066	8	WASHER 6,6x18	
15	31411084	20	WASHER 8,4x17	
28	31411105	2	WASHER 10,5x21	
4	55072935	4	SUPPORT	
23	55175174	8	BLOCK	
11	56171938	2	BRACKET	
22	56171954	8	SPACER	
3	56174337	2	MUDGUARD HANDLE	
30	56174642	2	WING HOLDER	
8	57374133	1	SUPPORT	
9	57374134	1	SUPPORT	
26	59070592	1	LEVER BEARING	
32	59071091	1	SAFETY ROLL BAR	
33	59071966	1	CONNECTION	
18	59074249	2	FIXING BRACKET	
10	59074391	2	CABLE BARRIER RAIL	
1	59074675	1	LEFT REAR FENDER	
2	59074676	1	RIGHT REAR FENDER	
13	59075081	1	LICENCE PLATE HOLD	
17	F0814573000	23	NUT M8	
6	F0843570000	8	WASHER 6	
16	F0843643060	26	WASHER 8	
20	F0843755000	8	WASHER 10	
21	F0843818000	8	WASHER	

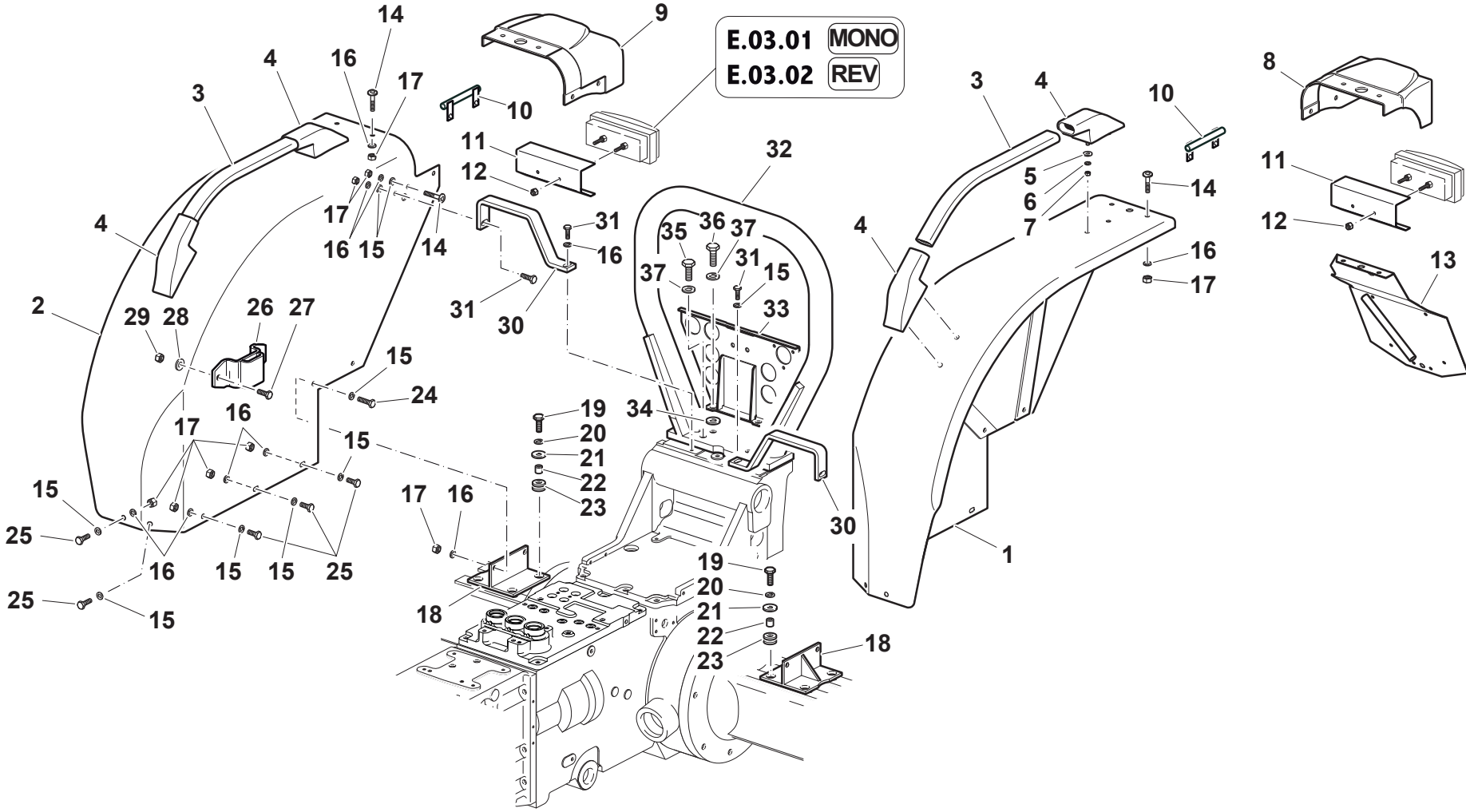
SERIAL

REAR MUDGUARDS

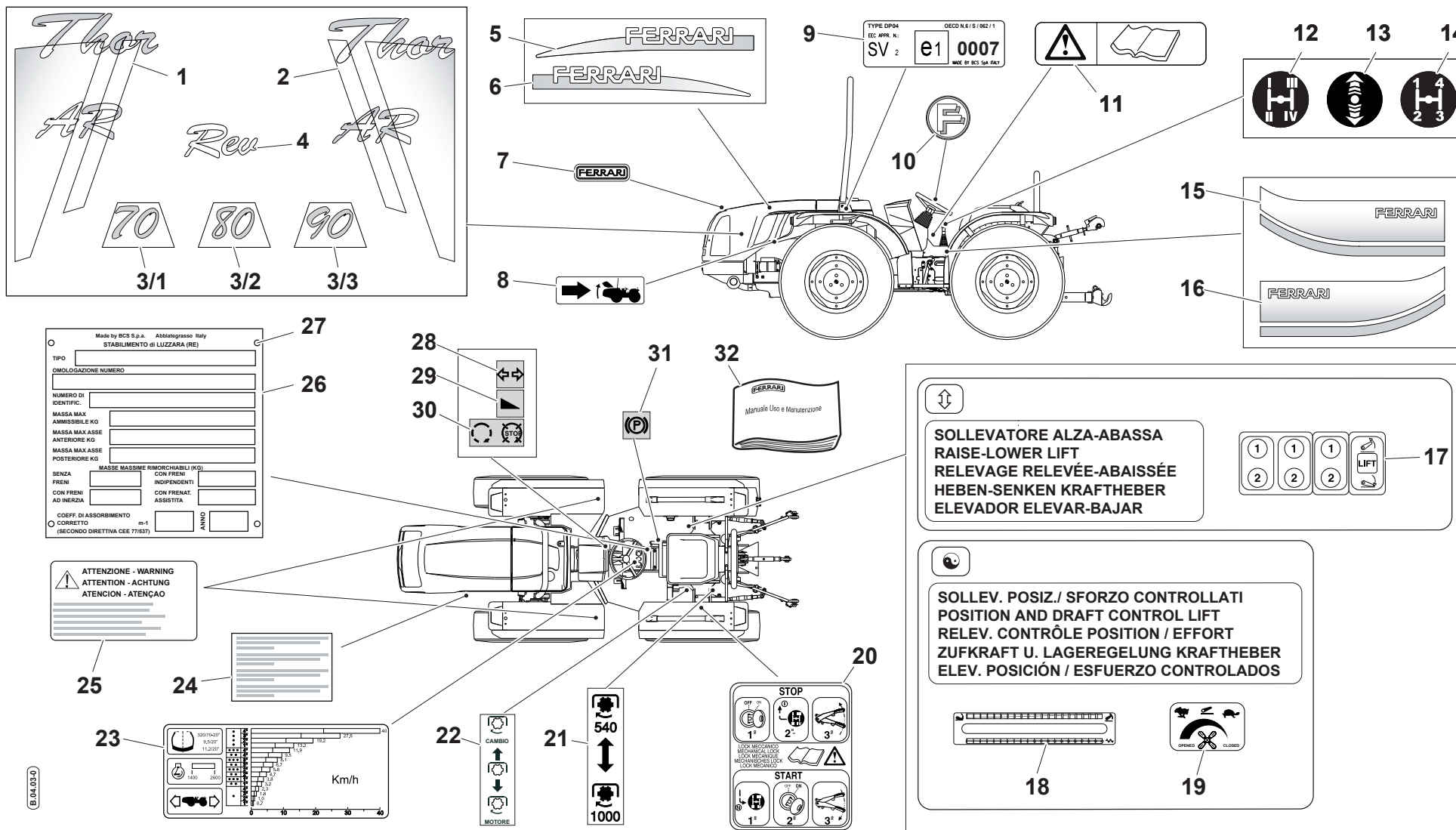
CODE REV

B.05.03.L50003_0

REAR MUDGUARDS



Pos.	Code	Q.ty	Description	Notes
37	F0843843060	4	WASHER 12	
34	F0843878000	2	SPACER D.30x12,5/6	
14	F0862479030	8	SCREW	



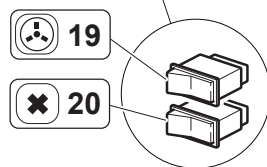
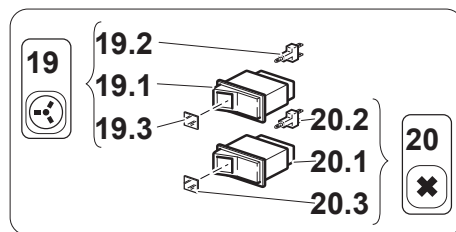
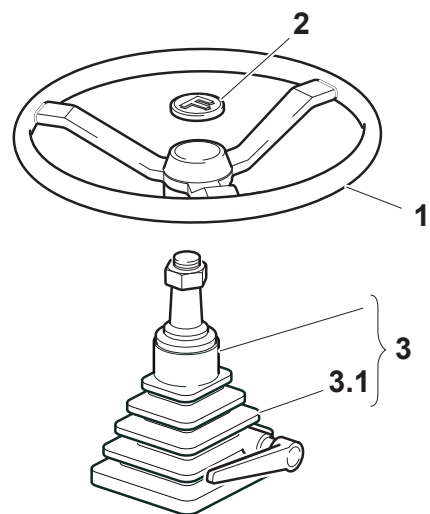
Pos.	Code	Q.ty	Description	Notes
28	58072509	1	INSTRUCTION PLATE	
31	58072510	1	INSTRUCTION PLATE	
30	58072511	1	INSTRUCTION PLATE	
29	58072517	1	INSTRUCTION PLATE	
22	58072575	1	PLATE	
26	58072737	1	PLATE	
25	58073156	1	PLATE	
9	58073644	1	PLATE	
13	58074220	1	DECAL	
12	58074221	1	DECAL	
14	58074222	1	DECAL	
10	58074777	1	DECAL	
5	58074786	1	DECAL	
6	58074787	1	DECAL	
03-mar	58074788	2	DECAL	
03-feb	58074789	2	DECAL	
03-gen	58074790	2	DECAL	
4	58074791	2	DECAL	
1	58074792	1	DECAL	
2	58074793	1	DECAL	
7	58074837	1	DECAL	
15	58074839	1	DECAL	
8	58074841	1	DECAL	
16	58074846	1	DECAL	
21	58074848	1	PLATE	
11	58074880	1	PLATE	
20	58075021	1	DECAL	
17	58075022	1	PLATE	
18	58075153	1	DECAL	
19	58075250	1	DECAL	
23	58076937	1	PLATE	
27	F0808518050	4	RIVET 3,5x6,5	
24	F0854067050	1	PLATE	
32	F0907170122	1	LIBRETTO U/M 70-90 GIALLO F*	


SERIAL


PLATES AND STICKERS

CODE REV

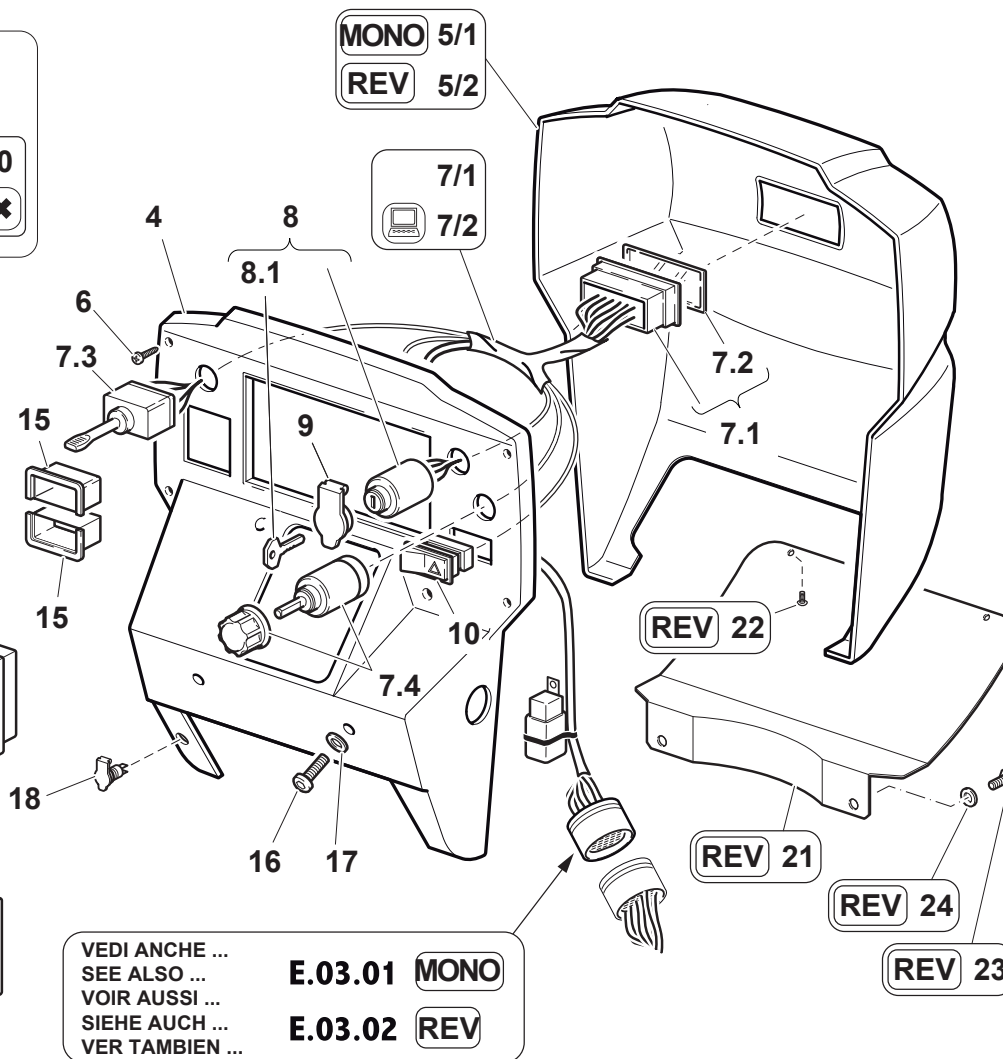
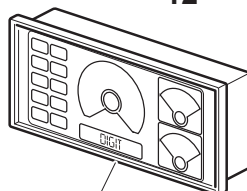
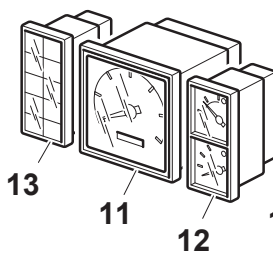
B.07.03.L50003_0



 **PRESA DI FORZA CON FRIZIONE INDIPENDENTE**
POWER TAKE-OFF WITH INDEPENDENT CLUTCH
PRISE DE FORCE AVEC EMBRAYAGE INDEPEND.
ZAPFWELLE MIT UNABHÄNGIGER KUPPLUNG
TOMA DE FUERZA CON EMBRAGUE INDEPEND.

 **DIFFERENZIALE CON BLOCCAGGIO ELETTROIDRAUL.**
DIFFERENTIAL WITH ELECTROHYDRAULIC LOCKING
DIFFERENTIEL AVEC BLOCAGE ÉLECTROHYDR.
DIFFERENTIAL MIT ELEKTROHYDR. SPERRE
DIFERENCIAL CON BLOQUEO ELECTROHIDRÁULICO

 **QUADRO STRUMENTAZIONE DIGITALE**
DIGITAL INSTRUMENT DISPLAY
TABLEAU DE L'INSTRUMENTATION DIGITALE
DIGITALES GERÄT TAFEL
CUADRANTE DE LA INSTRUMENTACIÓN DIGITAL



VEDI ANCHE ...
SEE ALSO ...
VOIR AUSSI ...
SIEHE AUCH ...
VER TAMBIEN ...

E.03.01 MONO
E.03.02 REV

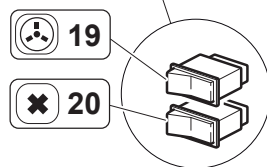
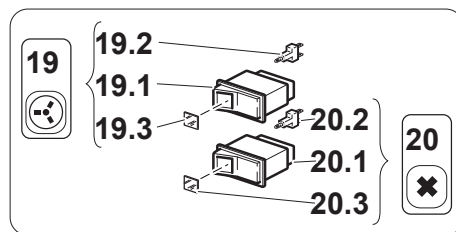
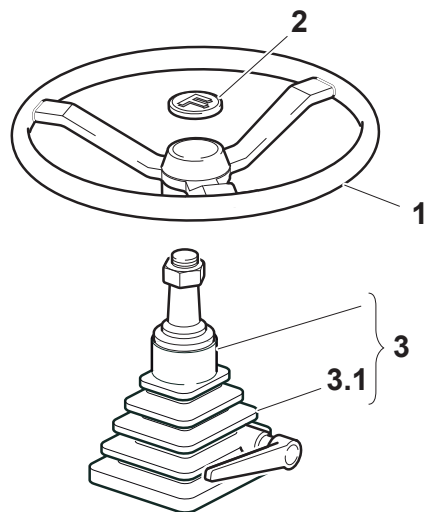
Pos.	Code	Q.ty	Description	Notes
8	30000614	1	PANEL	
23	31112149	2	SCREW TE M8X12 UNI 5739 8G	
17	31411084	4	WASHER 8,4x17	
24	31411084	2	WASHER 8,4x17	
6	31510053	6	RIBBED SCREW TC 4,8X32	
05-feb	55271644	1	INSTRUMENT PANEL	
05-gen	55271852	1	INSTRUMENT PANEL	
4	55274441	1	INSTRUMENT PANEL	
21	57374553	1	COVER	
07-gen	58074901	1	CABLE	
07-feb	58075384	1	CABLE	
12	58170236	1	INDICATOR	
19	58170344	1	CHANGE-OVER SWITCH	
20	58170345	1	CHANGE-OVER SWITCH	
15	58170376	2	TERMINAL FOR SWITCH	
7,1	58170453	1	FUSE BOX	
7,2	58172267	1	COVER	
19,1	58173116	2	CHANGE-OVER SWITCH	
20,1	58173116	2	CHANGE-OVER SWITCH	
19,2	58173119	2	PILOT LIGHT 12V	
20,2	58173119	2	PILOT LIGHT 12V	
19,3	58173120	1	GLASS	
20,3	58173121	1	GLASS	
13	58174834	1	UNIT	
11	58174842	1	TACHOMETER	
14	58174928	1	INSTRUMENT	
2	59900354	1	PLUG	
10	F0825115010	1	PUSH-BUTTON	
9	F0825400060	1	COVER	
18	F0825403050	1	SOCKET	
7,3	F0825436000	1	SWITCH	
7,4	F0825436003	1	SWITCH	
8,1	F0825500220	1	KEY	
22	F0861867001	3	SCREW M4,2X16 DIN 7981	


SERIAL


DASHBOARD

CODE REV

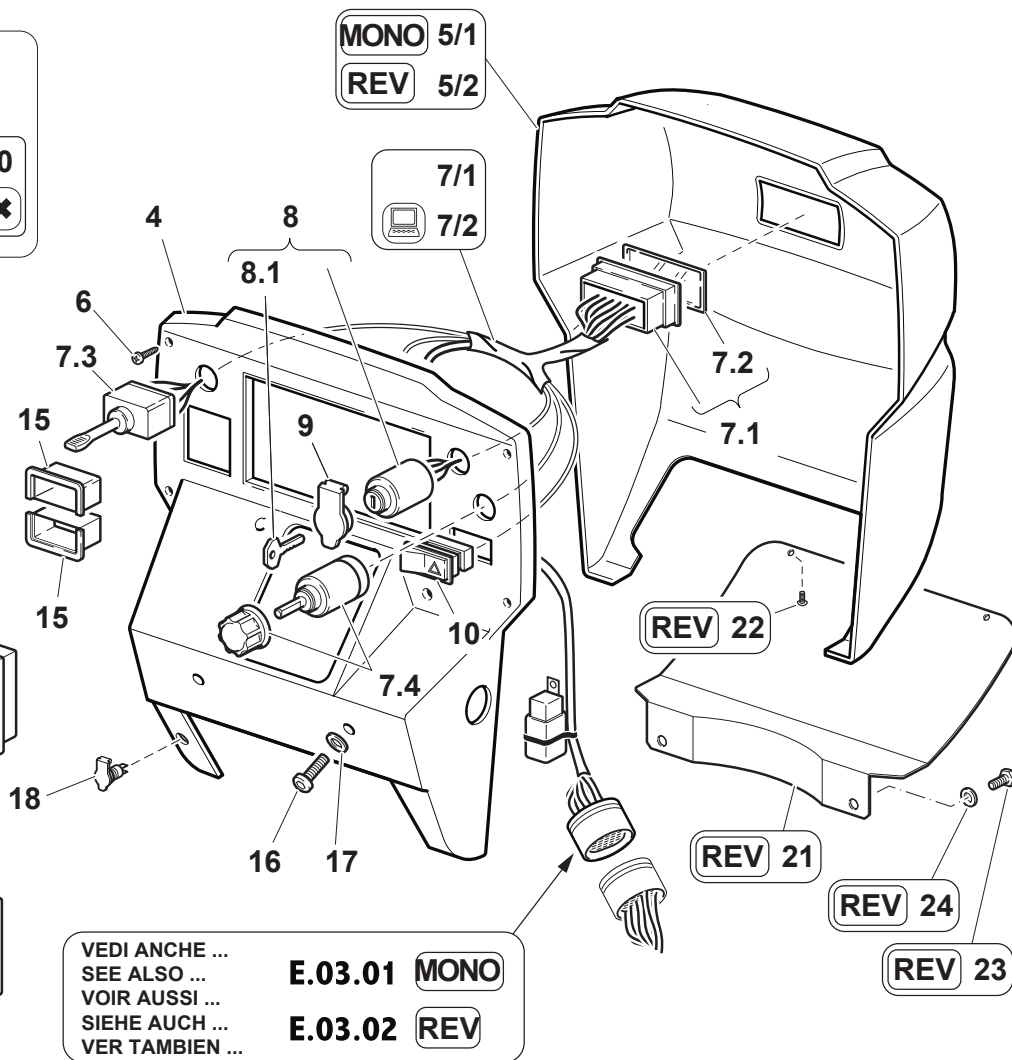
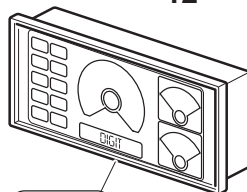
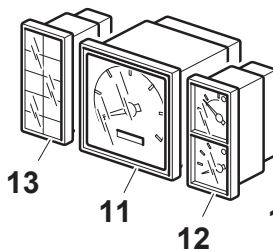
B.08.01.L50017_0



 **PRESA DI FORZA CON FRIZIONE INDIPENDENTE**
POWER TAKE-OFF WITH INDEPENDENT CLUTCH
PRISE DE FORCE AVEC EMBRAYAGE INDEPEND.
ZAPFWELLE MIT UNABHÄNGIGER KUPPLUNG
TOMA DE FUERZA CON EMBRAGUE INDEPEND.

 **DIFFERENZIALE CON BLOCCAGGIO ELETTROIDRAUL.**
DIFFERENTIAL WITH ELECTROHYDRAULIC LOCKING
DIFFERENTIEL AVEC BLOCAGE ÉLECTROHYDR.
DIFFERENTIAL MIT ELEKTROHYDR. SPERRE
DIFERENCIAL CON BLOQUEO ELECTROHIDRÁULICO

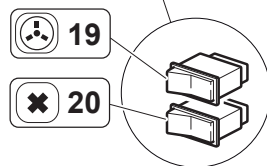
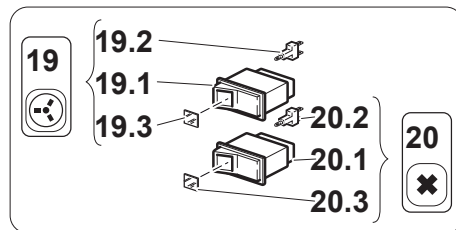
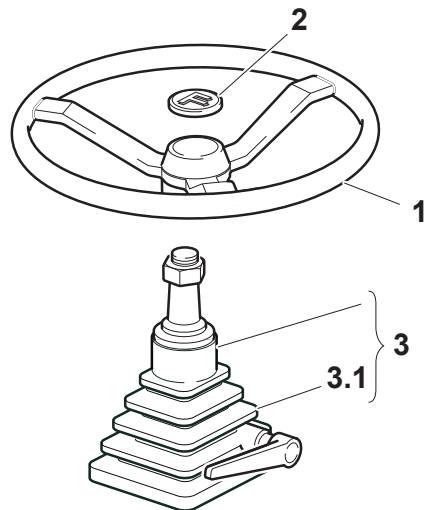
 **QUADRO STRUMENTAZIONE DIGITALE**
DIGITAL INSTRUMENT DISPLAY
TABLEAU DE L'INSTRUMENTATION DIGITALE
DIGITALES GERÄT TAFEL
CUADRANTE DE LA INSTRUMENTACIÓN DIGITAL





VEDI ANCHE ...
SEE ALSO ...
VOIR AUSSI ...
SIEHE AUCH ...
VER TAMBIEN ...

E.03.01 MONO
E.03.02 REV

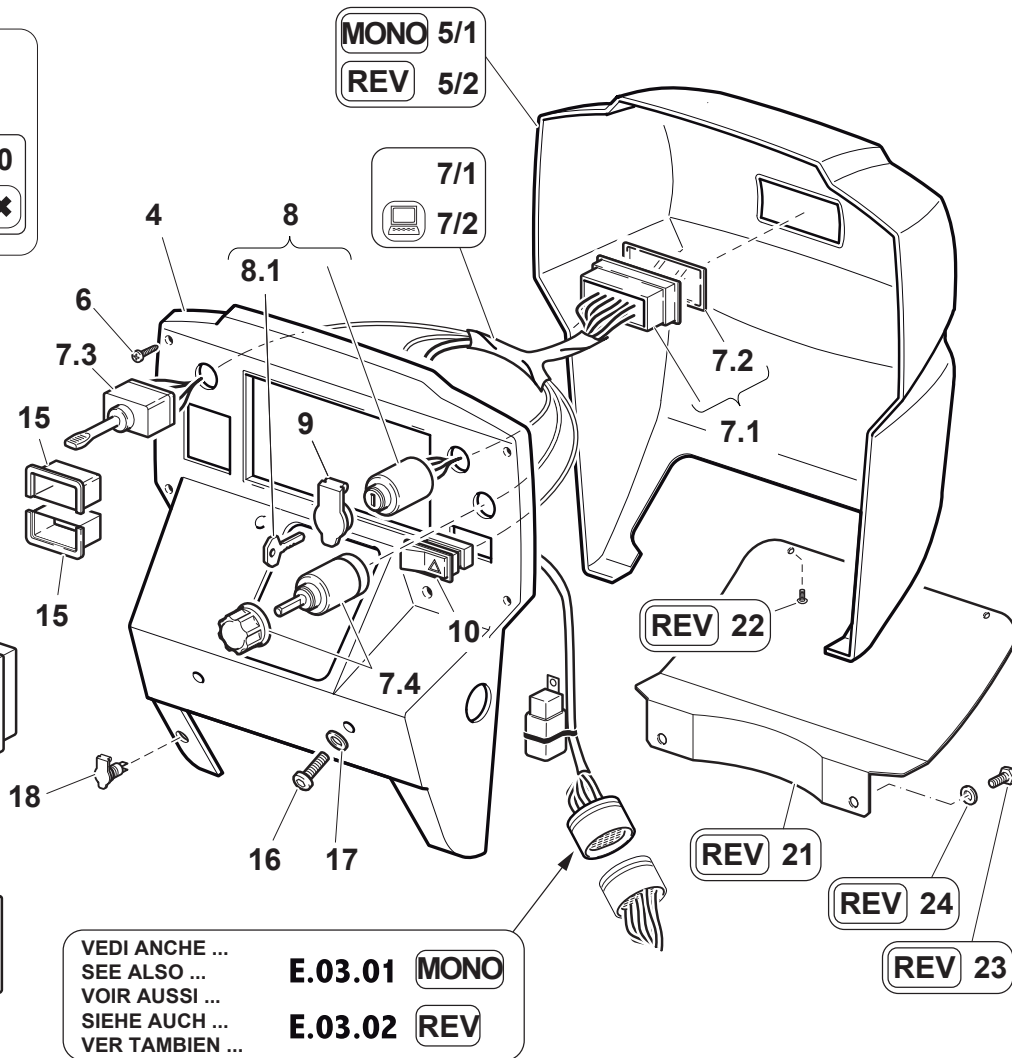
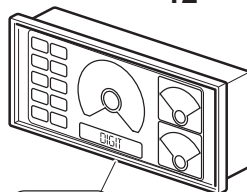
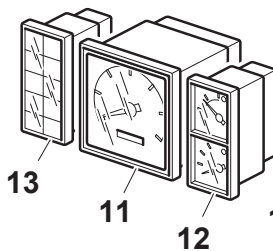
Pos.	Code	Q.ty	Description	Notes
16	F0862479020	4	SCREW M8X16 7380	
1	F0865040000	1	STEERING WHEEL	
3	F0865474000	1	UNIT	
3,1	F0865474005	1	BELLOWS	



 **PRESA DI FORZA CON FRIZIONE INDIPENDENTE**
POWER TAKE-OFF WITH INDEPENDENT CLUTCH
PRISE DE FORCE AVEC EMBRAYAGE INDEPEND.
ZAPFWELLE MIT UNABHÄNGIGER KUPPLUNG
TOMA DE FUERZA CON EMBRAGUE INDEPEND.

 **DIFFERENZIALE CON BLOCCAGGIO ELETTROIDRAUL.**
DIFFERENTIAL WITH ELECTROHYDRAULIC LOCKING
DIFFERENTIEL AVEC BLOCAGE ÉLECTROHYDR.
DIFFERENTIAL MIT ELEKTROHYDR. SPERRE
DIFERENCIAL CON BLOQUEO ELECTROHIDRÁULICO

 **QUADRO STRUMENTAZIONE DIGITALE**
DIGITAL INSTRUMENT DISPLAY
TABLEAU DE L'INSTRUMENTATION DIGITALE
DIGITALES GERÄT TAFEL
CUADRANTE DE LA INSTRUMENTACIÓN DIGITAL



VEDI ANCHE ...
SEE ALSO ...
VOIR AUSSI ...
SIEHE AUCH ...
VER TAMBIEN ...

E.03.01 MONO
E.03.02 REV

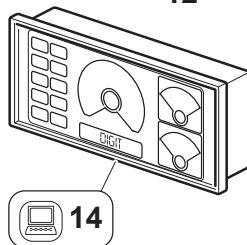
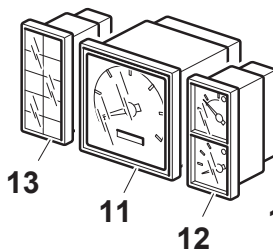
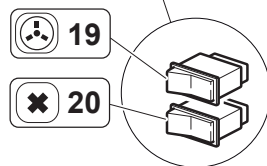
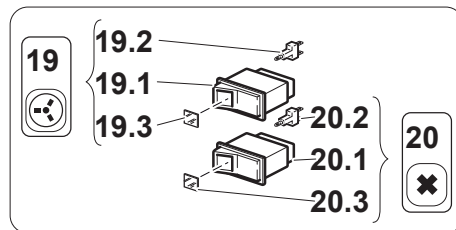
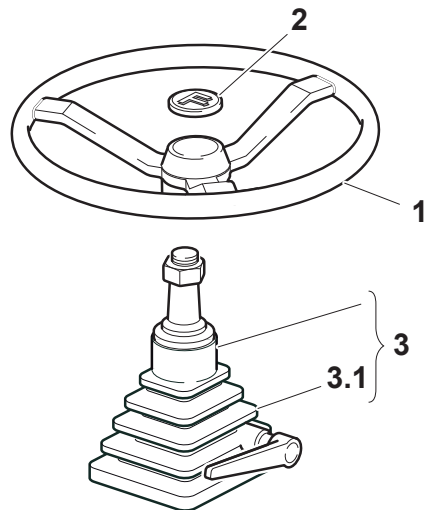
Pos.	Code	Q.ty	Description	Notes
8	30000614	1	PANEL	
23	31112149	2	SCREW TE M8X12 UNI 5739 8G	
17	31411084	4	WASHER 8,4x17	
24	31411084	2	WASHER 8,4x17	
6	31510053	6	RIBBED SCREW TC 4,8X32	
05-feb	55271644	1	INSTRUMENT PANEL	
05-gen	55271852	1	INSTRUMENT PANEL	
4	55274441	1	INSTRUMENT PANEL	
21	57374553	1	COVER	
07-feb	58075384	1	CABLE	
07-gen	58075776	1	CABLE	
19	58170344	1	CHANGE-OVER SWITCH	
20	58170345	1	CHANGE-OVER SWITCH	
15	58170376	2	TERMINAL FOR SWITCH	
19,1	58173116	2	CHANGE-OVER SWITCH	
20,1	58173116	2	CHANGE-OVER SWITCH	
19,2	58173119	2	PILOT LIGHT 12V	
20,2	58173119	2	PILOT LIGHT 12V	
19,3	58173120	1	GLASS	
20,3	58173121	1	GLASS	
14	58174928	1	INSTRUMENT	
12	58175769	1	DIGITAL INSTRUMENT	
13	58175770	1	WARNING LIGHT HOLDER	
11	58175772	1	DIGITAL INSTRUMENT	
2	59900354	1	PLUG	
10	F0825115010	1	PUSH-BUTTON	
9	F0825400060	1	COVER	
18	F0825403050	1	SOCKET	
7,3	F0825436000	1	SWITCH	
7,4	F0825436003	1	SWITCH	
8,1	F0825500220	1	KEY	
22	F0861867001	3	SCREW M4,2X16 DIN 7981	
16	F0862479020	4	SCREW M8X16 7380	
1	F0865040000	1	STEERING WHEEL	


SERIAL


DASHBOARD

CODE REV

B.08.01.L50017_1



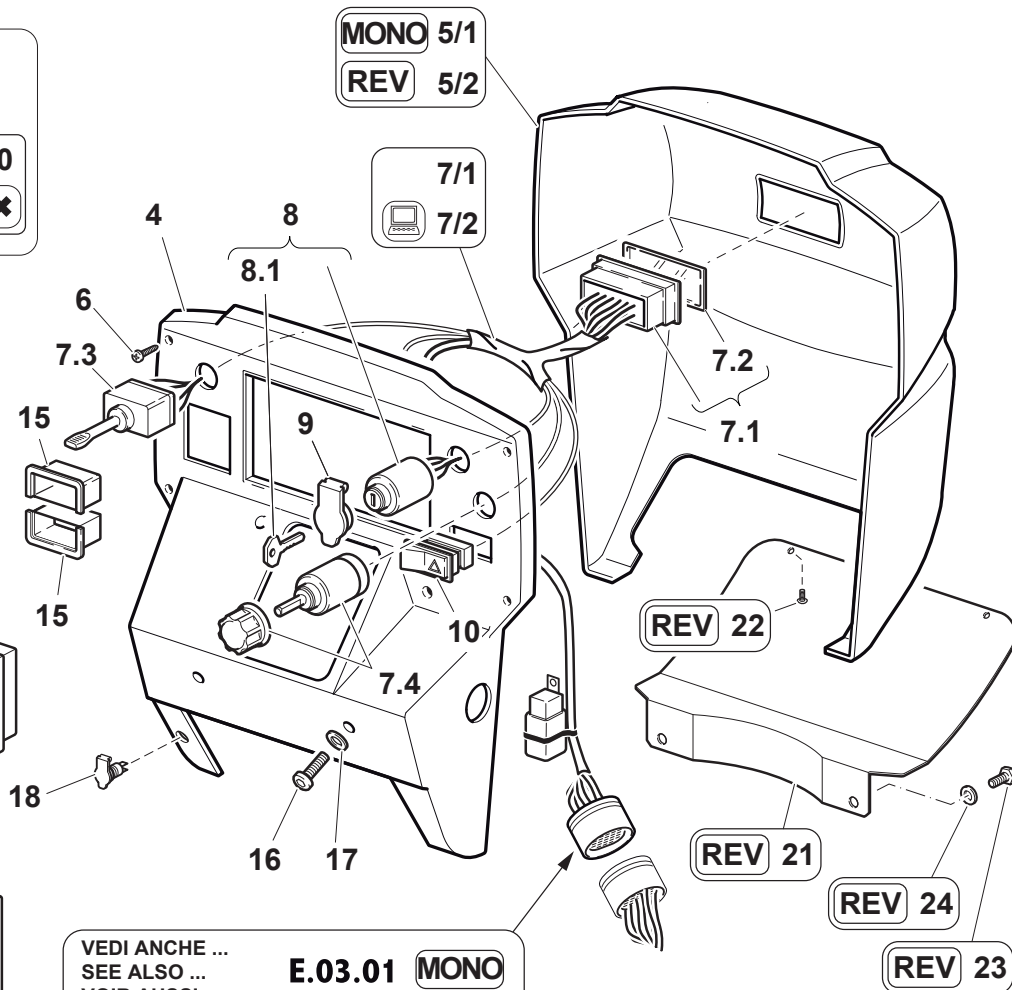
 PRESA DI FORZA CON FRIZIONE INDIPENDENTE
POWER TAKE-OFF WITH INDEPENDENT CLUTCH
PRISE DE FORCE AVEC EMBRAYAGE INDEPEND.
ZAPFWELLE MIT UNABHÄNGIGER KUPPLUNG
TOMA DE FUERZA CON EMBRAGUE INDEPEND.

 DIFFERENZIALE CON BLOCCAGGIO ELETTROIDRAUL.
DIFFERENTIAL WITH ELECTROHYDRAULIC LOCKING
DIFFERENTIEL AVEC BLOCAGE ÉLECTROHYDR.
DIFFERENTIAL MIT ELEKTROHYDR. SPERRE
DIFERENCIAL CON BLOQUEO ELECTROHIDRÁULICO

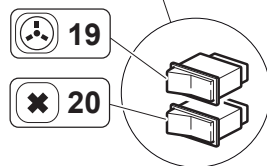
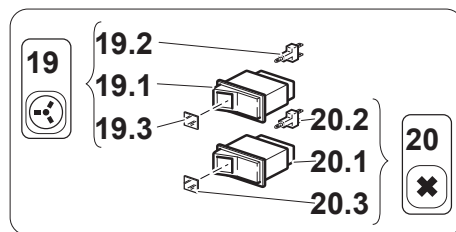
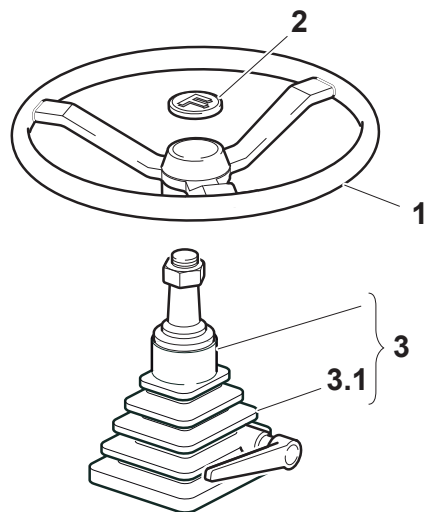
 QUADRO STRUMENTAZIONE DIGITALE
DIGITAL INSTRUMENT DISPLAY
TABLEAU DE L'INSTRUMENTATION DIGITALE
DIGITALES GERÄT TAFEL
CUADRANTE DE LA INSTRUMENTACIÓN DIGITAL


VEDI ANCHE ...
SEE ALSO ...
VOIR AUSSI ...
SIEHE AUCH ...
VER TAMBIEN ...


E.03.01 MONO
E.03.02 REV



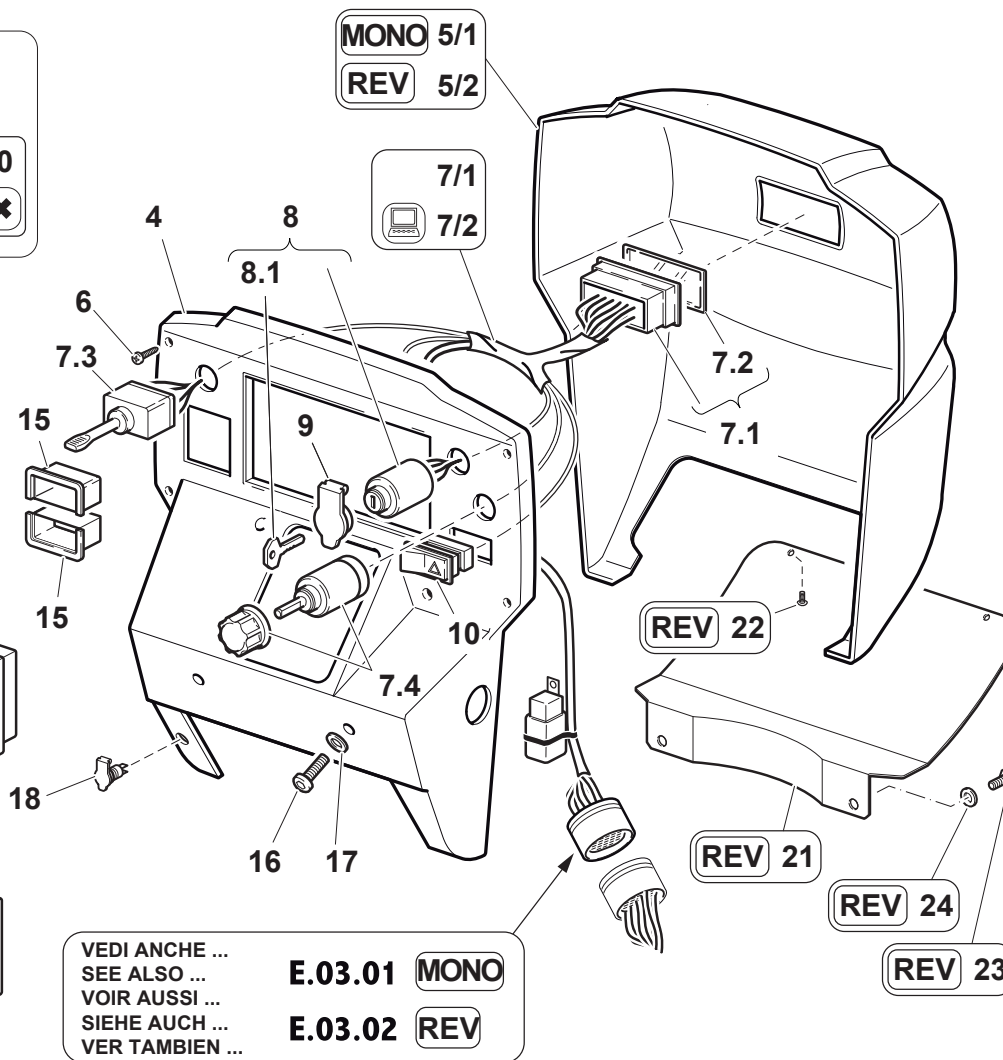
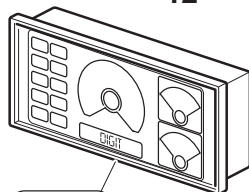
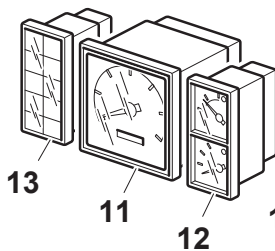
Pos.	Code	Q.ty	Description	Notes
3	F0865474000	1	UNIT	
3,1	F0865474005	1	BELLOWS	



 **PRESA DI FORZA CON FRIZIONE INDIPENDENTE**
POWER TAKE-OFF WITH INDEPENDENT CLUTCH
PRISE DE FORCE AVEC EMBRAYAGE INDEPEND.
ZAPFWELLE MIT UNABHÄNGIGER KUPPLUNG
TOMA DE FUERZA CON EMBRAGUE INDEPEND.

 **DIFFERENZIALE CON BLOCCAGGIO ELETTROIDRAUL.**
DIFFERENTIAL WITH ELECTROHYDRAULIC LOCKING
DIFFERENTIAL AVEC BLOCAGE ÉLECTROHYDR.
DIFFERENTIAL MIT ELEKTROHYDR. SPERRE
DIFERENCIAL CON BLOQUEO ELECTROHIDRÁULICO

 **QUADRO STRUMENTAZIONE DIGITALE**
DIGITAL INSTRUMENT DISPLAY
TABLEAU DE L'INSTRUMENTATION DIGITALE
DIGITALES GERÄT TAFEL
CUADRANTE DE LA INSTRUMENTACIÓN DIGITAL



VEDI ANCHE ...
SEE ALSO ...
VOIR AUSSI ...
SIEHE AUCH ...
VER TAMBIEN ...

E.03.01 MONO
E.03.02 REV

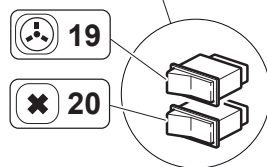
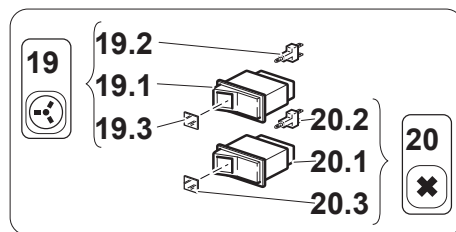
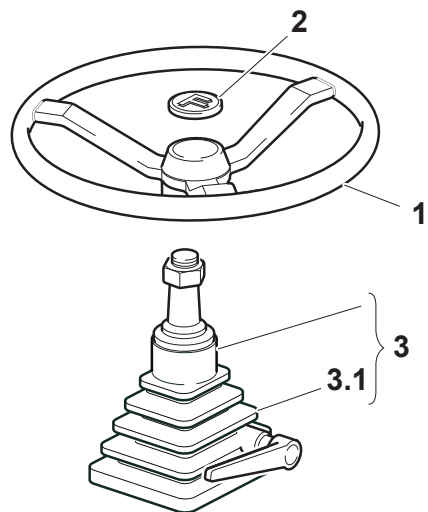
Pos.	Code	Q.ty	Description	Notes
8	30000614	1	PANEL	
23	31112149	2	SCREW TE M8X12 UNI 5739 8G	
17	31411084	4	WASHER 8,4x17	
6	31510053	6	RIBBED SCREW TC 4,8X32	
5,2	55271644	1	INSTRUMENT PANEL	
5,1	55271852	1	INSTRUMENT PANEL	
4	55274441	1	INSTRUMENT PANEL	
21	57374553	1	COVER	
07-feb	58075384	1	CABLE	
07-gen	58075776	1	CABLE	
19	58170344	1	CHANGE-OVER SWITCH	
20	58170345	1	CHANGE-OVER SWITCH	
15	58170376	2	TERMINAL FOR SWITCH	
19,1	58173116	2	CHANGE-OVER SWITCH	
20,1	58173116	2	CHANGE-OVER SWITCH	
19,2	58173119	2	PILOT LIGHT 12V	
20,2	58173119	2	PILOT LIGHT 12V	
19,3	58173120	1	GLASS	
20,3	58173121	1	GLASS	
14	58174928	1	INSTRUMENT	
12	58175769	1	DIGITAL INSTRUMENT	
13	58175770	1	WARNING LIGHT HOLDER	
11	58175772	1	DIGITAL INSTRUMENT	
2	59900354	1	PLUG	
10	F0825115010	1	PUSH-BUTTON	
9	F0825400060	1	COVER	
18	F0825403050	1	SOCKET	
7,3	F0825436000	1	SWITCH	
7,4	F0825436003	1	SWITCH	
8,1	F0825500220	1	KEY	
22	F0861867001	3	SCREW M4,2X16 DIN 7981	
16	F0862479020	4	SCREW M8X16 7380	
1	F0865040000	1	STEERING WHEEL	
3	F0865474000	1	UNIT	


SERIAL


DASHBOARD

CODE REV

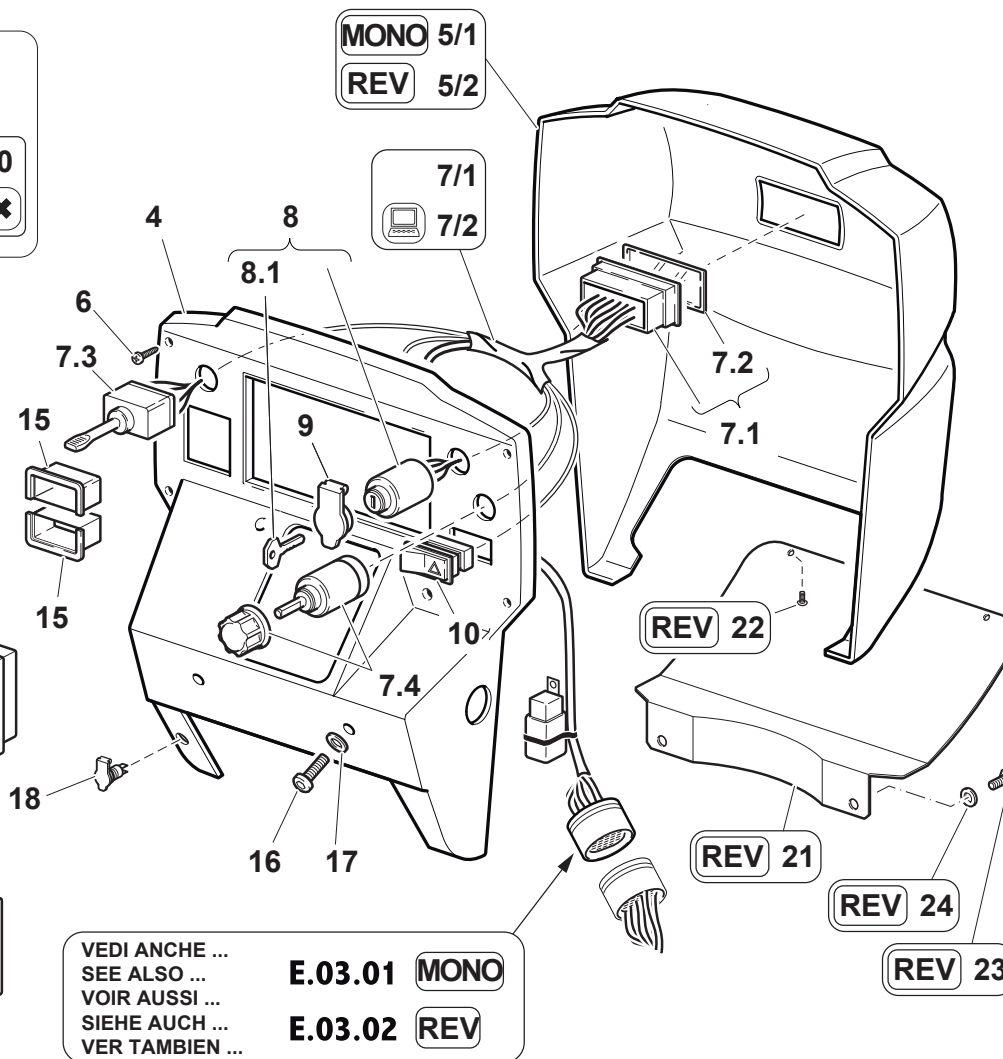
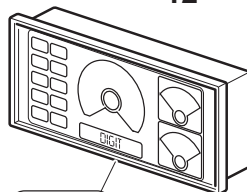
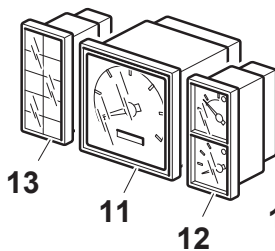
B.08.01.L50017_2



 **PRESA DI FORZA CON FRIZIONE INDIPENDENTE**
POWER TAKE-OFF WITH INDEPENDENT CLUTCH
PRISE DE FORCE AVEC EMBRAYAGE INDEPEND.
ZAPFWELLE MIT UNABHÄNGIGER KUPPLUNG
TOMA DE FUERZA CON EMBRAGUE INDEPEND.

 **DIFFERENZIALE CON BLOCCAGGIO ELETTROIDRAUL.**
DIFFERENTIAL WITH ELECTROHYDRAULIC LOCKING
DIFFERENTIEL AVEC BLOCAGE ÉLECTROHYDR.
DIFFERENTIAL MIT ELEKTROHYDR. SPERRE
DIFERENCIAL CON BLOQUEO ELECTROHIDRÁULICO

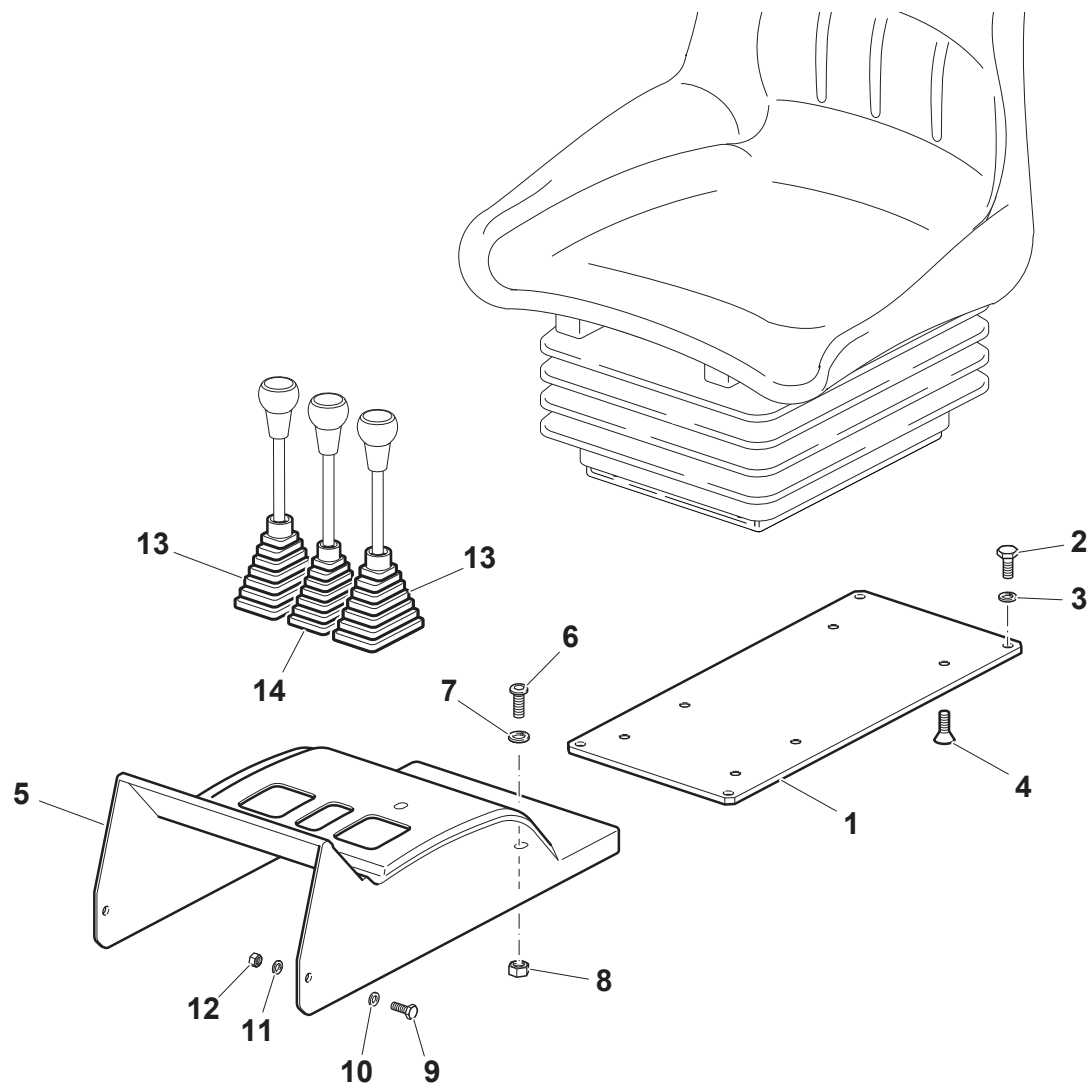
 **QUADRO STRUMENTAZIONE DIGITALE**
DIGITAL INSTRUMENT DISPLAY
TABLEAU DE L'INSTRUMENTATION DIGITALE
DIGITALES GERÄT TAFEL
CUADRANTE DE LA INSTRUMENTACIÓN DIGITAL



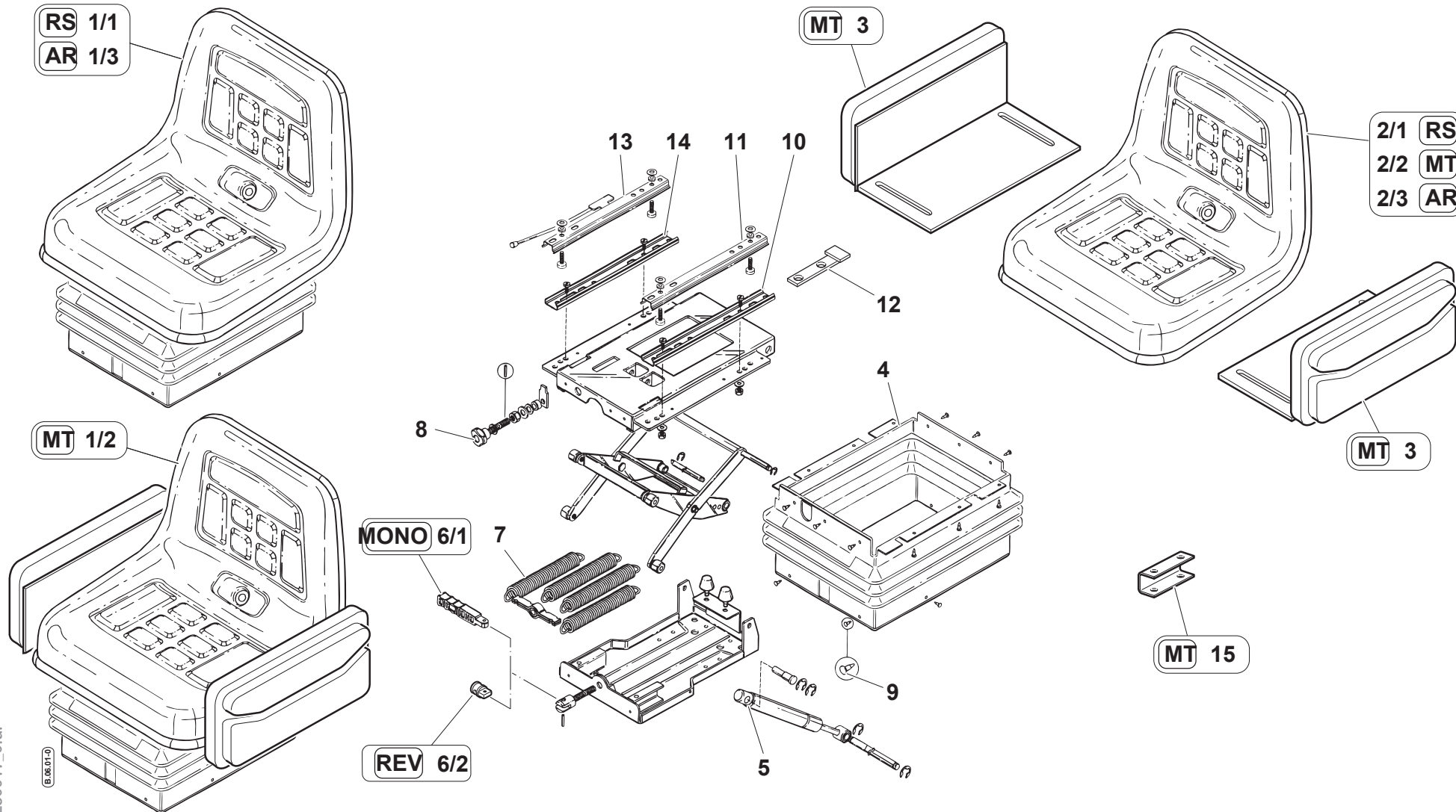
VEDI ANCHE ...
SEE ALSO ...
VOIR AUSSI ...
SIEHE AUCH ...
VER TAMBIEN ...

E.03.01 MONO
E.03.02 REV

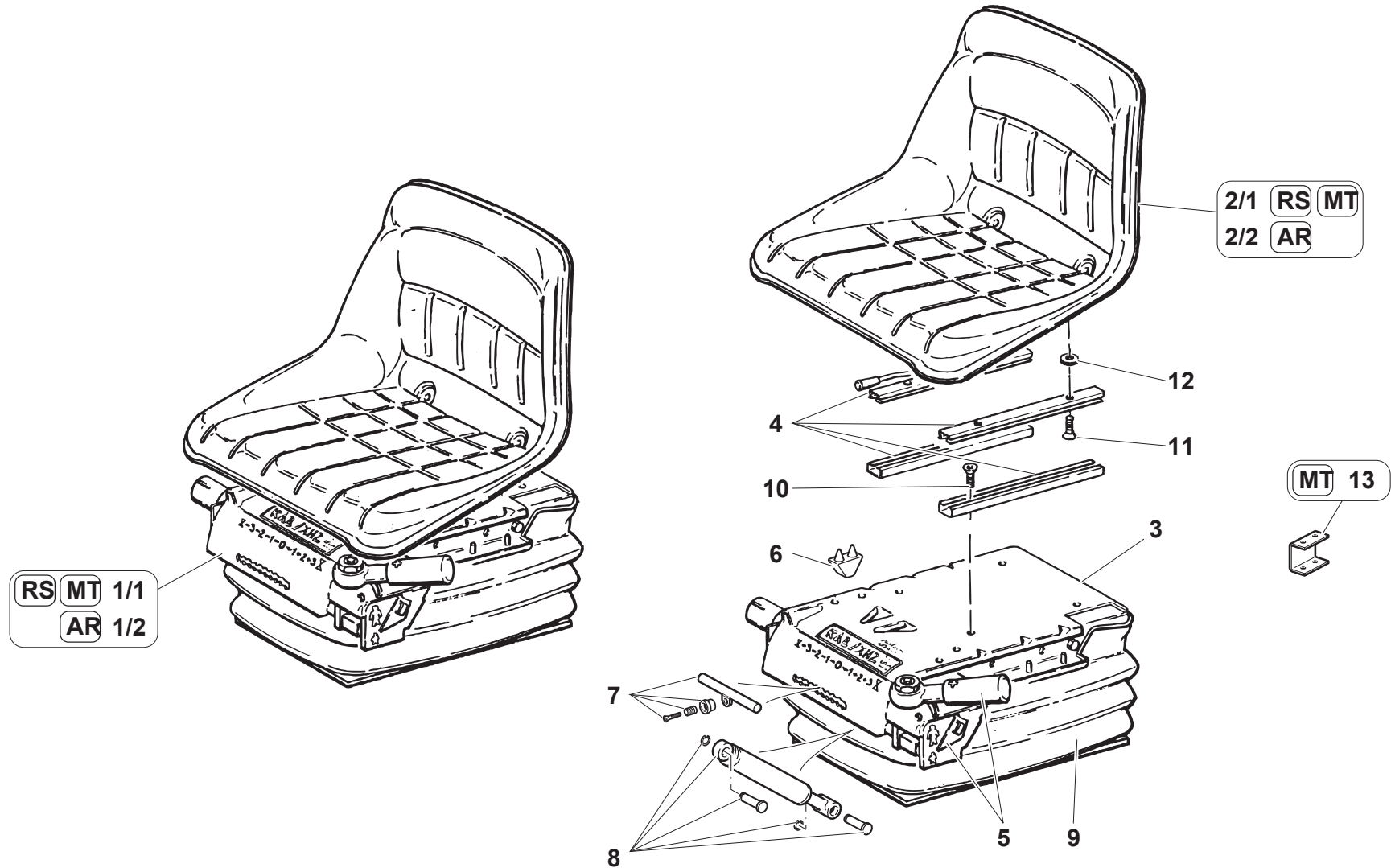
Pos.	Code	Q.ty	Description	Notes
3,1	F0865474005	1	BELLOWS	



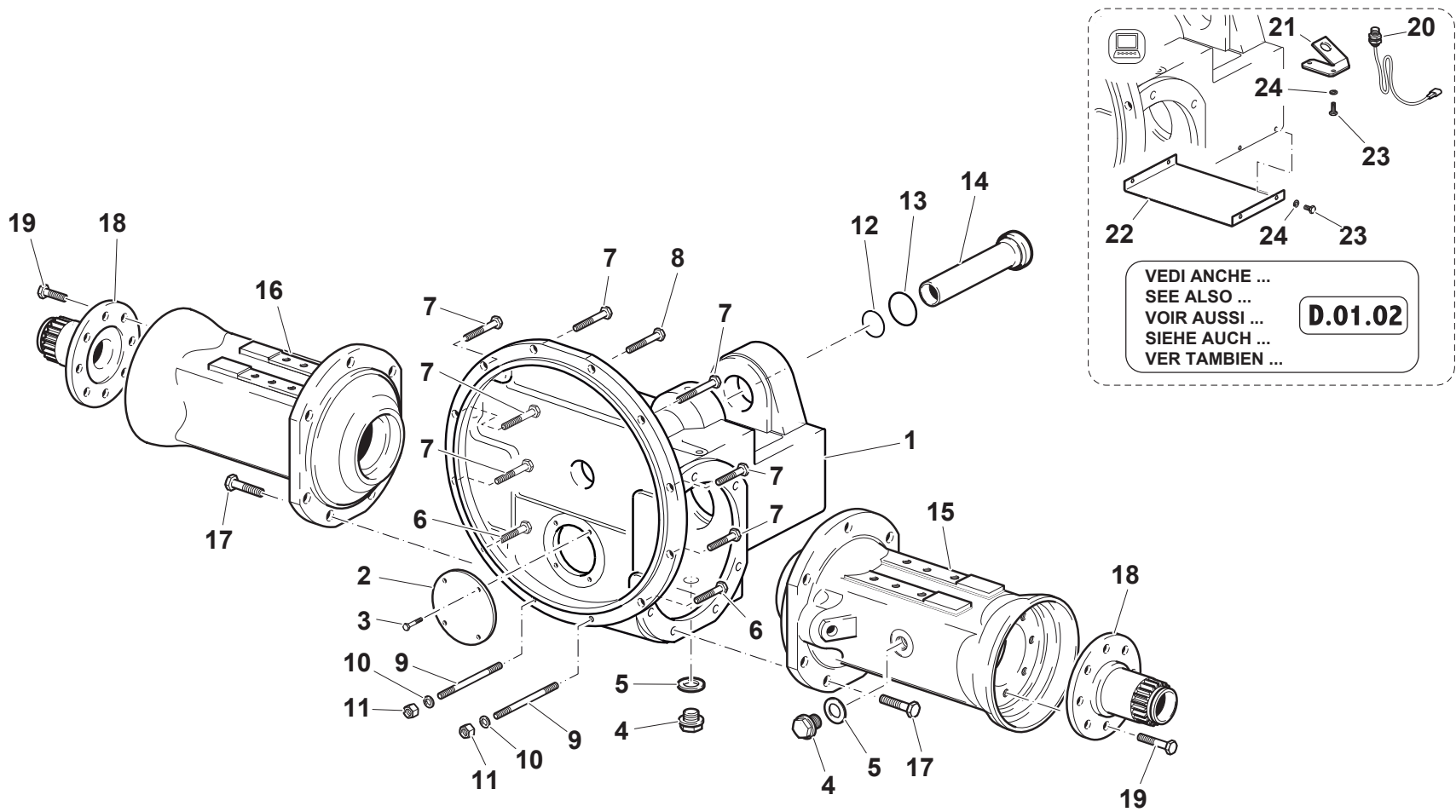
Pos.	Code	Q.ty	Description	Notes
9	31112090	4	SCREW TE M6X16 UNI 5739 8G	
2	31112147	4	SCREW TE M8X18 UNI 5739 8G	
12	31211060	4	HEXAGONAL NUT M8	
10	31411064	4	WASHER 6,4x12,5	
7	31411084	2	WASHER 8,4x17	
14	55174162	1	BELLOWS	
13	55174163	2	BELLOWS	
1	56174643	1	FIXING PLATE	
5	57374892	1	COVER	
8	F0814647000	2	NUT M10	
11	F0843570000	4	WASHER 6	
3	F0843643060	4	WASHER 8	
6	F0862479032	2	SCREW M8X25 7380	
4	F0862481000	4	SCREW M8x16 UNI 5933	



Pos.	Code	Q.ty	Description	Notes
06-feb	56172172	1	SMALL BLOCK	
15	56175206	1	BRACKET	
01-feb	58170959	1	SEAT	
01-mar	58170995	1	SEAT	
3	58171239	1	SIDE PANEL	
12	59071241	1	STOP PLATE	
02-gen	59900151	1	SEAT CAVITY	
14	59900152	1	LOWER GUIDE	
8	59900153	1	KNOB	
7	59900154	4	SPRING	
06-gen	59900155	1	LEVER	
5	59900156	1	SHOCKS ABSORBER	
10	59900157	1	LOWER GUIDE	
9	59900158	18	SCREW	
4	59900159	1	BELLOWS	
11	59900160	1	GUIDE	
13	59900161	1	GUIDE	
02-mar	59900162	1	SEAT CAVITY	
02-feb	59900182	1	SEAT CAVITY	
01-gen	F0190032529	1	SEAT	



Pos.	Code	Q.ty	Description	Notes
10	31111151	4	SCREW TE M8X16 UNI 5739 8G	
13	56171223	1	BRACKET	
4	58173437	1	SEAT GUIDE	
5	59900183	1	CONTROL	
6	59900184	1	LIMITER	
7	59900185	1	CONTROL	
8	59900186	1	SHOCKS ABSORBER	
9	59900187	1	BELLOWS	
01-feb	59900199	1	SEAT	
01-gen	59900200	1	SEAT	
02-gen	F0150036215	1	SEAT CAVITY	
02-feb	F0150036216	1	SEAT CAVITY	
3	F0150036219	1	SPRING	
12	F0843696000	4	WASHER	
11	F0862495010	4	SCREW	



VEDI ANCHE ...
SEE ALSO ...
VOIR AUSSI ...
SIEHE AUCH ...
VER TAMBIEN ...

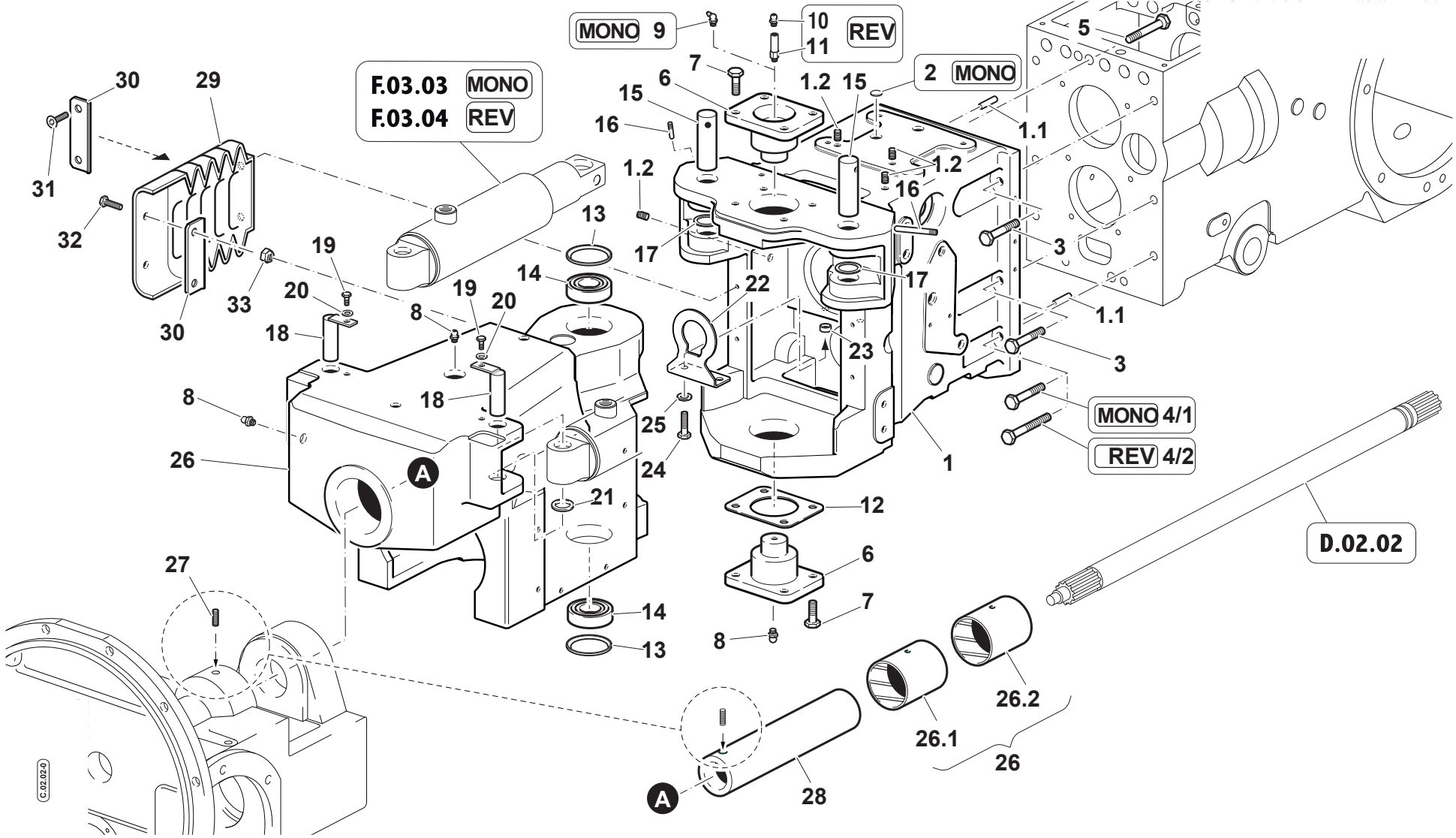
D.01.02

QUADRO STRUMENTAZIONE DIGITALE
DIGITAL INSTRUMENT DISPLAY
TABLEAU DE L'INSTRUMENTATION DIGITALE
DIGITALES GERÄT TAFEL
CUADRANTE DE LA INSTRUMENTACIÓN DIGITAL

C.01.02.L50003_0.ai
C.01.02A

Pos.	Code	Q.ty	Description	Notes
23	31112082	6	SCREW TE M6X12 UNI 5739 8G	
3	31112090	4	SCREW TE M6X16 UNI 5739 8G	
6	31112211	2	SCREW TE M10X30 UNI 5739	
7	31112212	7	SCREW TE M10X35 UNI 5739	
8	31112213	1	SCREW TE M10X40 UNI 5739	
1	51174448	1	FRONT AXLE HOUSING	
2	51174467	1	FRONT COVER	
16	51176774	1	SCAT.DX PONTE ANT.70-90/AR fp	
15	51176775	1	SCAT.SX PONTE ANT.70-90/AR fp	
22	56172538	1	LAMINATION	
21	56174919	1	BRACKET	
4	56370081	2	PLUG	
18	56373800	2	SUPPORT	
20	58175209	1	SENSOR	
14	59070012	1	PIPE	
12	F0803209000	1	O-RING	
13	F0803209070	1	O-RING	
10	F0814632000	2	NUT M10	
9	F0838475000	2	STUD BOLT M10X90 UNI 5911 8.8	
24	F0843570000	6	WASHER 6	
11	F0843755000	12	WASHER 10	
5	F0844273090	2	GASKET 22X28X1,5 CU 99,5	
19	F0863890010	16	SCREW M12x1,75x35	
17	F0864222010	16	SCREW M14X1,5/40 5738	

CENTRAL SECTION



Pos.	Code	Q.ty	Description	Notes
19	31111151	2	SCREW TE M8X16 UNI 5739 8G	
32	31112093	4	SCREW TE M6X20	
24	31112146	2	SCREW TE M8X22 UNI 5739 8G	
31	31132562	4	SCREW TSVEI M6X16 UNI 5933	
12	52173669	1	SHIM	
12	52173670	1	SHIM	
12	52173671	1	SHIM	
12	52173672	1	SHIM	
12	52173673	1	SHIM	
6	52373668	2	JOINT PIN	
29	55174429	2	BELLOWS	
23	56170364	2	SPACER	
30	56174446	4	FIXING BRACKET	
11	56174493	1	EXTENSION	
26,1	56276371	1	BUSHING	
26,2	56276372	1	BUSHING	
16	56370178	2	SCREW	
15	56374556	2	HINGE PIN	
17	56374557	2	SPACER	
28	56474013	1	PIN	
1,1	56570016	2	CYLINDRICAL PLUG	
1,2	58070743	5	PLUG	
27	58170013	1	SCREW	
13	58170077	2	GASKET	
18	59070838	2	HINGE PIN	
22	59075813	1	BRACKET	
26	59276002	1	BOX	
1	59276003	1	BOX	
14	F0812838000	2	BEARING 32007 (35x62x18 R)	
33	F0814547000	4	SELFLOCK NUT M6	
10	F0826056000	1	LUBRICATOR M10 UNI 7663A	
8	F0826056000	3	LUBRICATOR M10 UNI 7663A	
9	F0826057000	1	LUBRICATOR M10x1,5 45° UNI7663B	
20	F0843643060	2	WASHER 8	

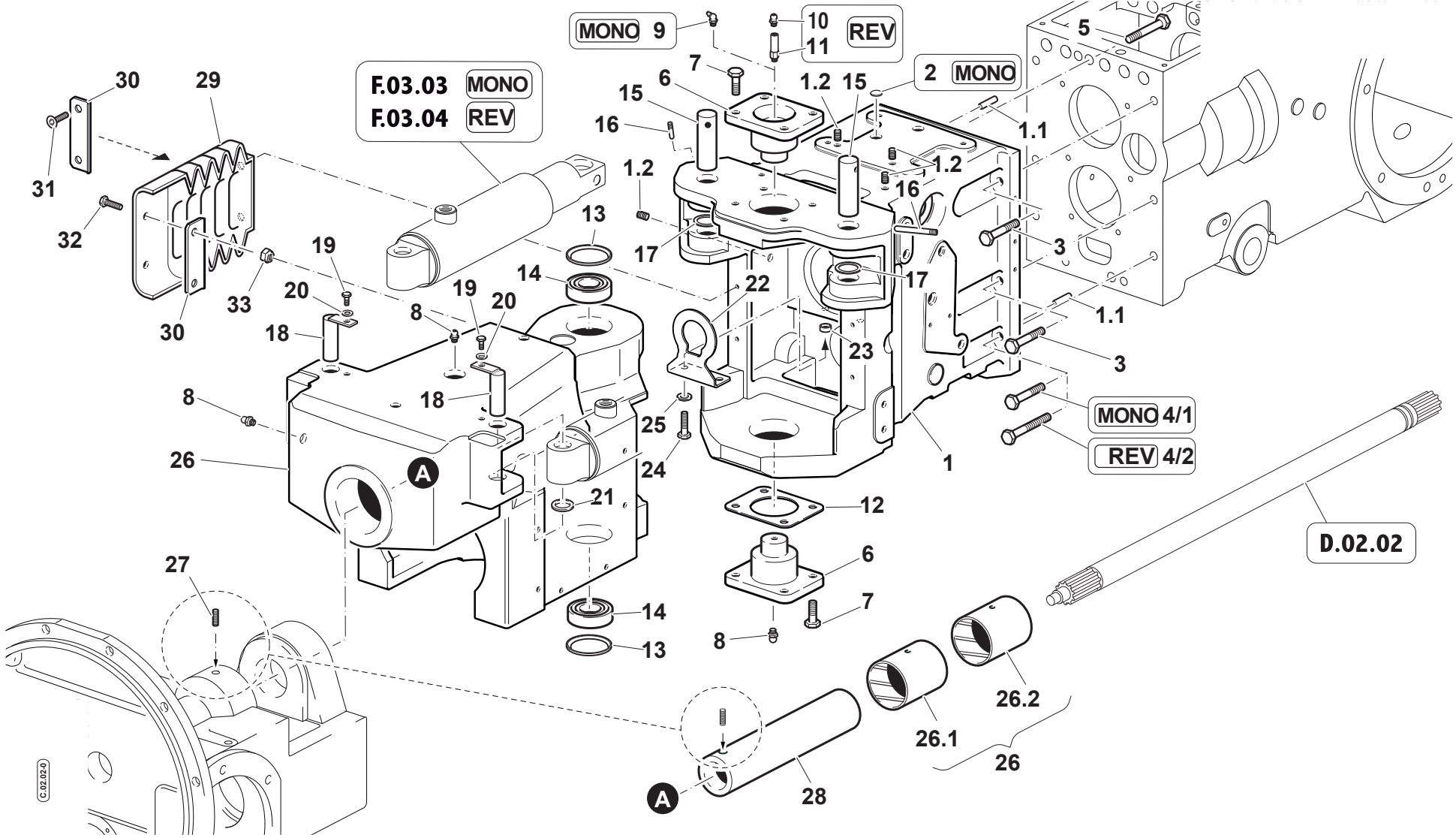
SERIAL

CENTRAL SECTION

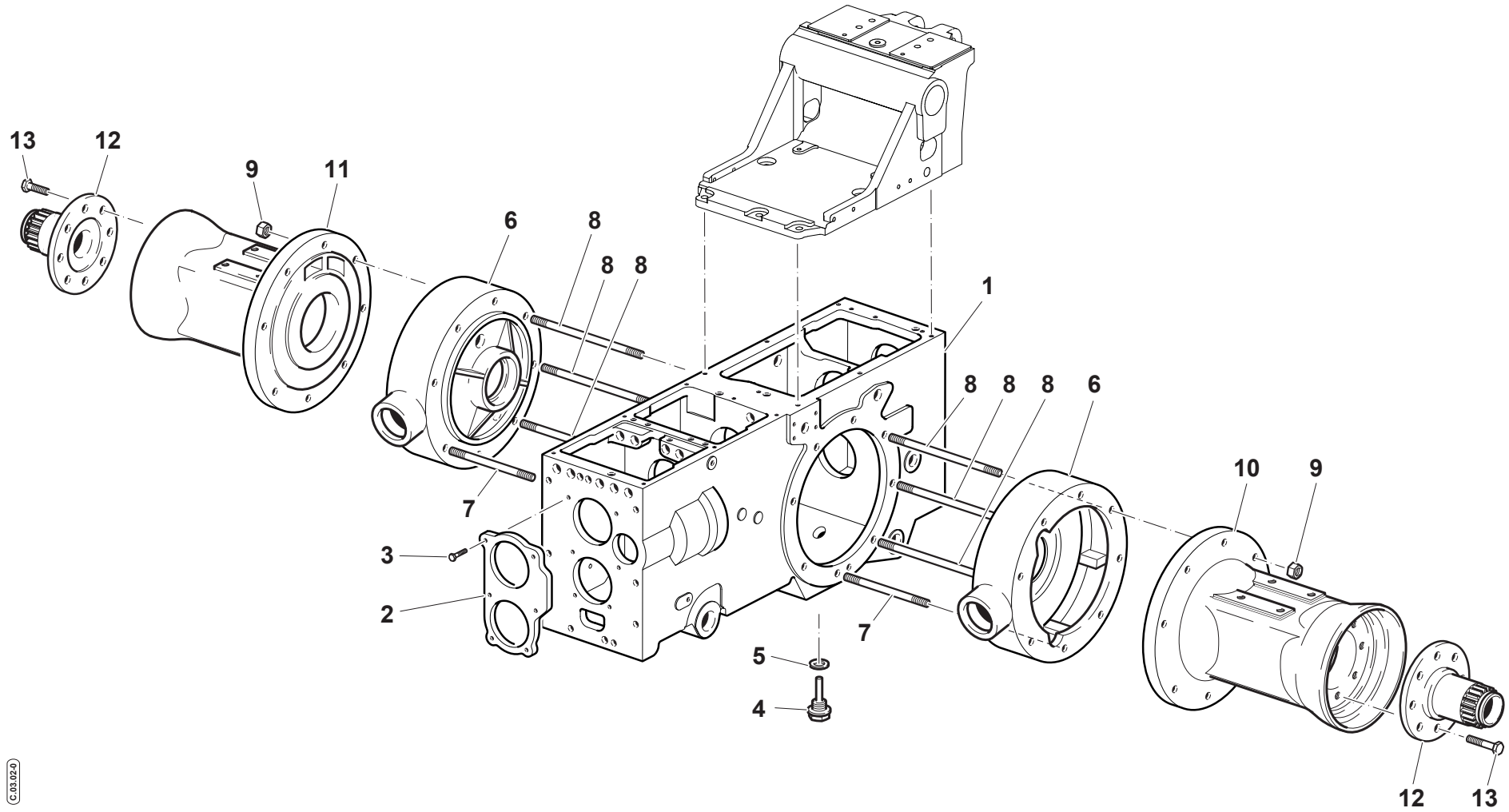
CODE REV

C.02.02.L50003_0

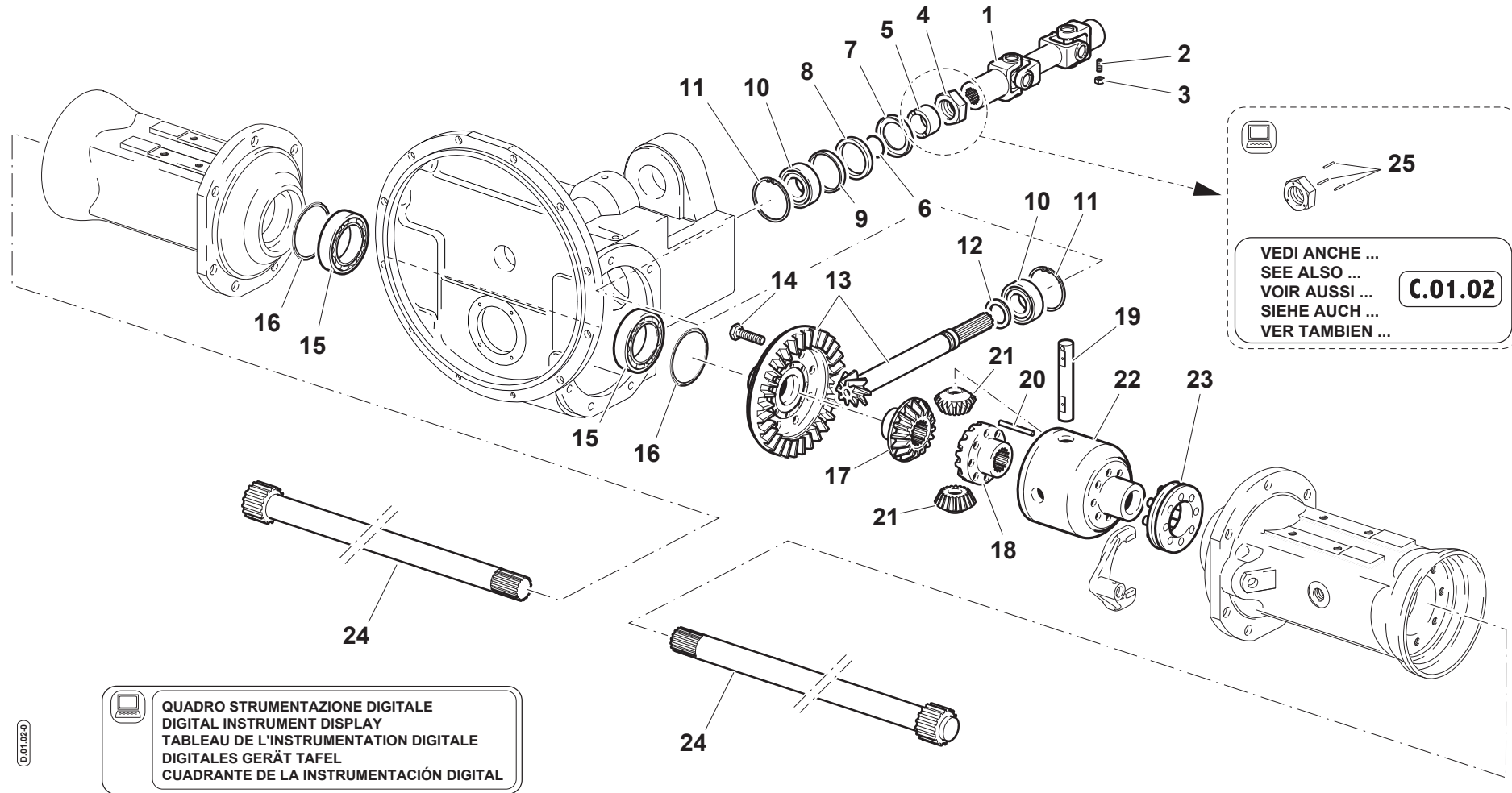
CENTRAL SECTION



Pos.	Code	Q.ty	Description	Notes
25	F0843643060	2	WASHER 8	
21	F0844240000	2	WASHER 20,5x33/3	
2	F0852540050	1	PLUG	
7	F0863267050	8	SCREW M10x25	
04-gen	F0863925000	1	SCREW M12X40 UNI 5737	
3	F0863925000	7	SCREW M12X40 UNI 5737	
5	F0863951000	1	SCREW M12X45 UNI 5737	
04-feb	F0863997010	1	SCREW M12X50 UNI 5737	



Pos.	Code	Q.ty	Description	Notes
3	31112151	6	SCREW TE M8X25 UNI 5739 8G	
7	31313300	10	STUD BOLT M14X1,5X105	
8	31313320	6	STUD BOLT M14X1,5X120	
6	51170020	2	BRAKE HOUSING	
2	51173650	1	FRONT COVER	
11	51173801	1	REAR AXLE HOUSING	
10	51173802	1	REAR AXLE HOUSING	
1	51173821	1	GEAR BOX	
12	56373800	2	SUPPORT	
4	58170021	1	PLUG	
9	F0814750010	16	NUT M14X1,5	
5	F0844273090	1	GASKET 22X28X1,5 CU 99,5	
13	F0863890010	16	SCREW M12x1,75x35	



VEDI ANCHE ...
SEE ALSO ...
VOIR AUSSI ...
SIEHE AUCH ...
VER TAMBIEN ...

C.01.02

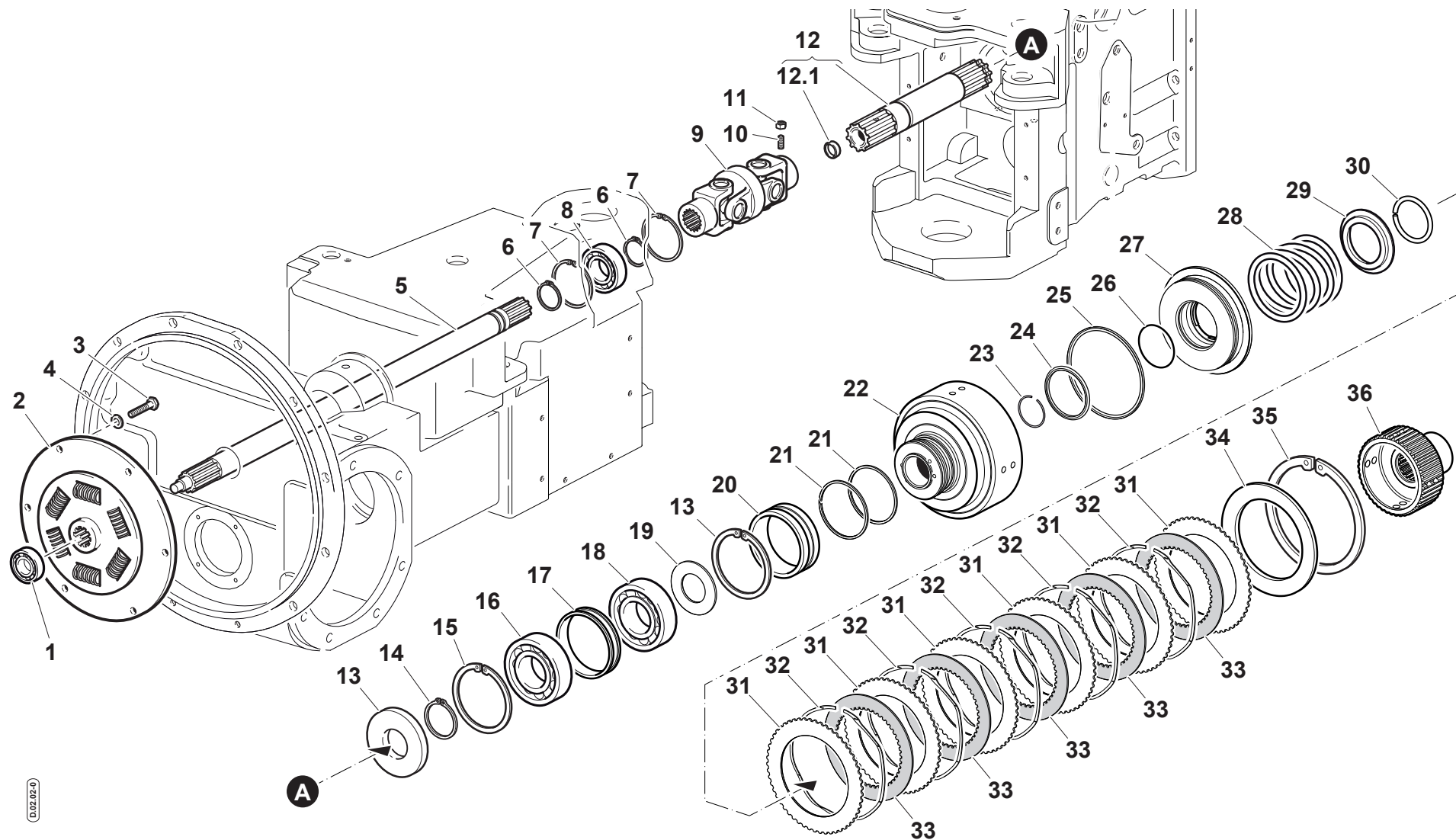

QUADRO STRUMENTAZIONE DIGITALE
DIGITAL INSTRUMENT DISPLAY
TABLEAU DE L'INSTRUMENTATION DIGITALE
DIGITALES GERÄT TAFEL
CUADRANTE DE LA INSTRUMENTACIÓN DIGITAL

D.01.02.L50003_0.ai

C.01.02.04

Pos.	Code	Q.ty	Description	Notes
22	51371035	1	HOUSING	
18	52470061	1	PINION	
17	52470062	1	PINION	
21	52470067	2	DIFFERENTIAL PINION	
9	56170213	1	SPACER	
7	56170214	1	PROTECTIVE RING D=72	
16	56370089	1	RING	
16	56370127	1	RING	
16	56370128	1	RING	
12	56370209	1	SHIM	
12	56370210	1	SHIM	
12	56370211	1	SHIM	
12	56370212	1	SHIM	
20	56371037	2	PIN	
4	56372536	1	RING NUT	
5	56470215	1	SPACER	
24	56470813	4	AXLE SHAFT	
19	56471036	1	PIN	
1	58174552	1	JOINT	
23	59070065	1	SLEEVE	
13	59374548	1	BEVEL GEAR	
11	F0801422010	2	SEEGER RING	
8	F0802239045	1	SEAL 50x72x8	
6	F0803078100	1	O-RING	
10	F0812859000	2	BEARING 32207	
15	F0812956000	2	BEARING 32010 X/Q	
3	F0814574000	1	NUT	
25	F0851044000	4	PIN 3,0X26 DIN 1481 CL:C72	
2	F0862593050	1	SCREW M8X20 UNI 5927	
14	F0863311250	8	SCREW M10x1,5x32	

CLUTCH FRONT SHAFT/ TRANSMISSION CLUTCH



Pos.	Code	Q.ty	Description	Notes
3	31112148	6	SCREW TE M8X18 UNI 5739 8G	
4	31421083	6	WASHER	
7	35111062	2	SEEGER RING	
15	35111080	2	SEEGER RING	
6	35121030	2	SEEGER RING	
16	37111354	1	BEARING	
8	37112302	1	BEARING	
26	38104412	1	O-RING	
36	52473655	1	HUB	
22	52573648	1	CLUTCH HOUSING	
27	53273025	1	PISTON	
17	56175670	1	SPACER	
34	56370037	1	CLUTCH DISC	
29	56370267	1	RING	
19	56371162	1	SHIM	
20	56470002	1	BUSHING	
5	56573661	1	FRONT CLUTCH SHAFT	
28	58070262	1	RESTORING SPRING	
30	58070268	1	CIRCLIP	
12,1	58073461	1	PLUG	
31	58170034	6	DISC	
21	58170306	2	SEAL	
24	58170443	1	GASKET	
33	58172105	5	DISC	
32	58172106	5	SPRING	
25	58172400	1	GASKET	
9	58173664	1	CARDAN JOINT	
2	58174716	1	JOINT	
12	59273659	1	SHAFT	
14	F0801264050	1	SEEGER RING	
23	F0801266100	1	SAFETY RING	
35	F0801455100	1	SEEGER RING	
13	F0802163010	1	SEAL 35x80/10	
1	F0812523050	1	BEARING 6201-2RS	

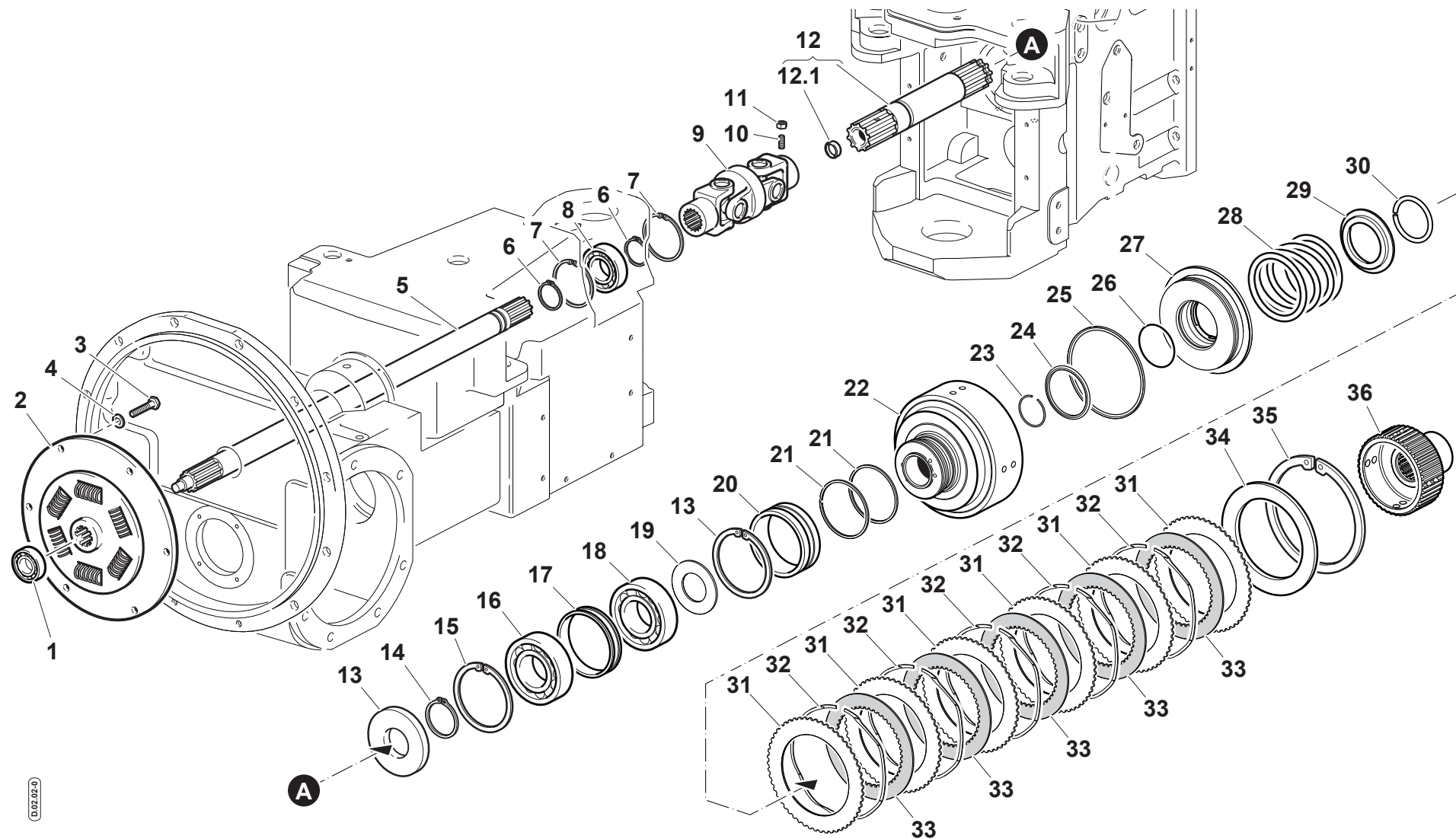
SERIAL

CLUTCH FRONT SHAFT/ TRANSMISSION CLUTCH

CODE REV

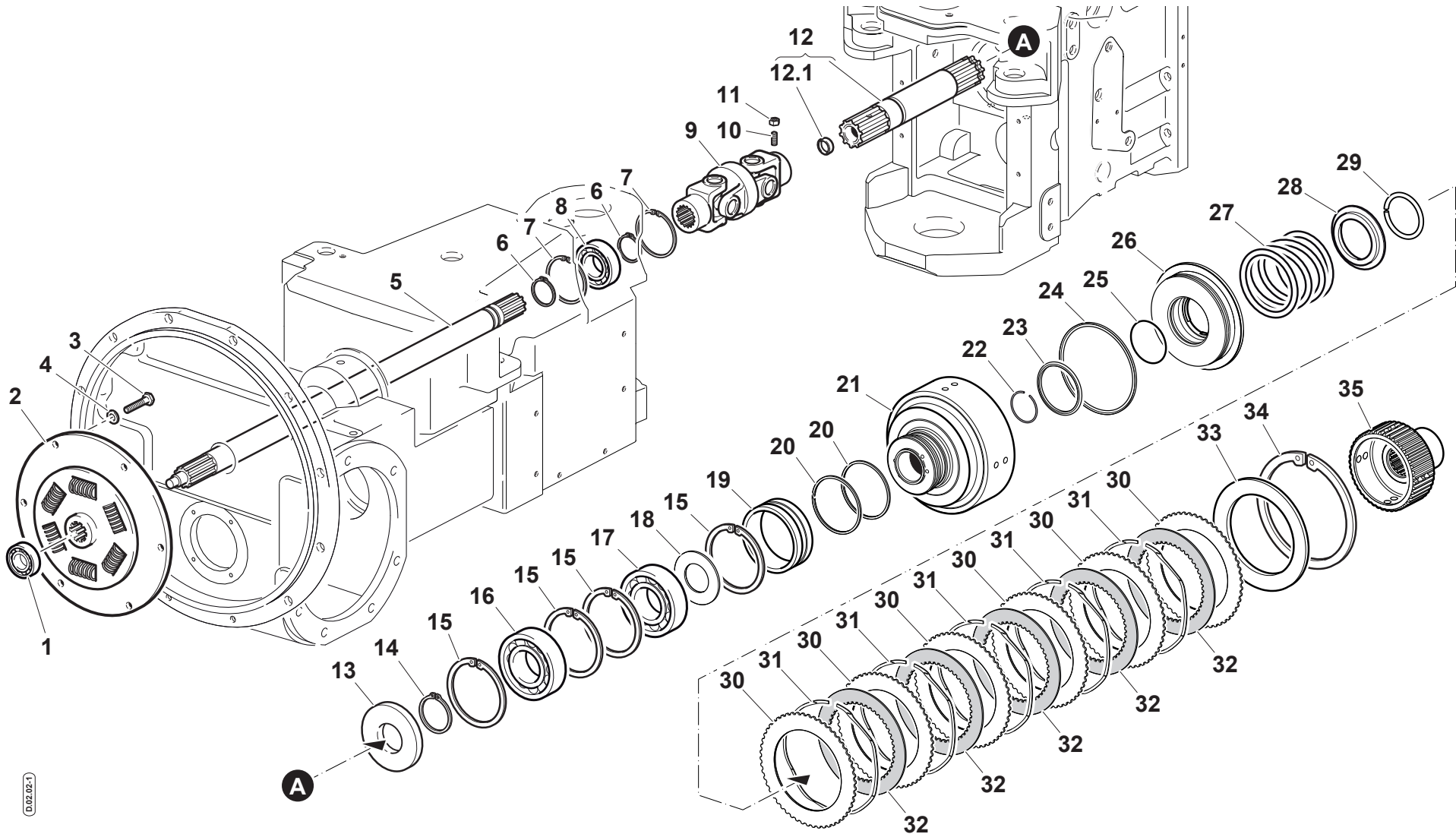
D.02.02.L50003_0

CLUTCH FRONT SHAFT/ TRANSMISSION CLUTCH



Pos.	Code	Q.ty	Description	Notes
18	F0812868060	1	BEARING 6307-Z (35X80X21)	
11	F0814574000	2	NUT	
10	F0862593050	2	SCREW M8X20 UNI 5927	

CLUTCH FRONT SHAFT/ TRANSMISSION CLUTCH



Pos.	Code	Q.ty	Description	Notes
3	31112148	6	SCREW TE M8X18 UNI 5739 8G	
4	31421083	6	WASHER	
7	35111062	2	SEEGER RING	
15	35111080	4	SEEGER RING	
6	35121030	2	SEEGER RING	
16	37111354	1	BEARING	
8	37112302	1	BEARING	
25	38104412	1	O-RING	
35	52473655	1	HUB	
21	52573648	1	CLUTCH HOUSING	
26	53273025	1	PISTON	
33	56370037	1	CLUTCH DISC	
28	56370267	1	RING	
18	56371162	1	SHIM	
19	56470002	1	BUSHING	
5	56573661	1	FRONT CLUTCH SHAFT	
27	58070262	1	RESTORING SPRING	
29	58070268	1	CIRCLIP	
12,1	58073461	1	PLUG	
30	58170034	6	DISC	
20	58170306	2	SEAL	
23	58170443	1	GASKET	
32	58172105	5	DISC	
31	58172106	5	SPRING	
24	58172400	1	GASKET	
9	58173664	1	CARDAN JOINT	
2	58174716	1	JOINT	
12	59273659	1	SHAFT	
14	F0801264050	1	SEEGER RING	
22	F0801266100	1	SAFETY RING	
34	F0801455100	1	SEEGER RING	
13	F0802163010	1	SEAL 35x80/10	
1	F0812523050	1	BEARING 6201-2RS	
17	F0812868060	1	BEARING 6307-Z (35X80X21)	

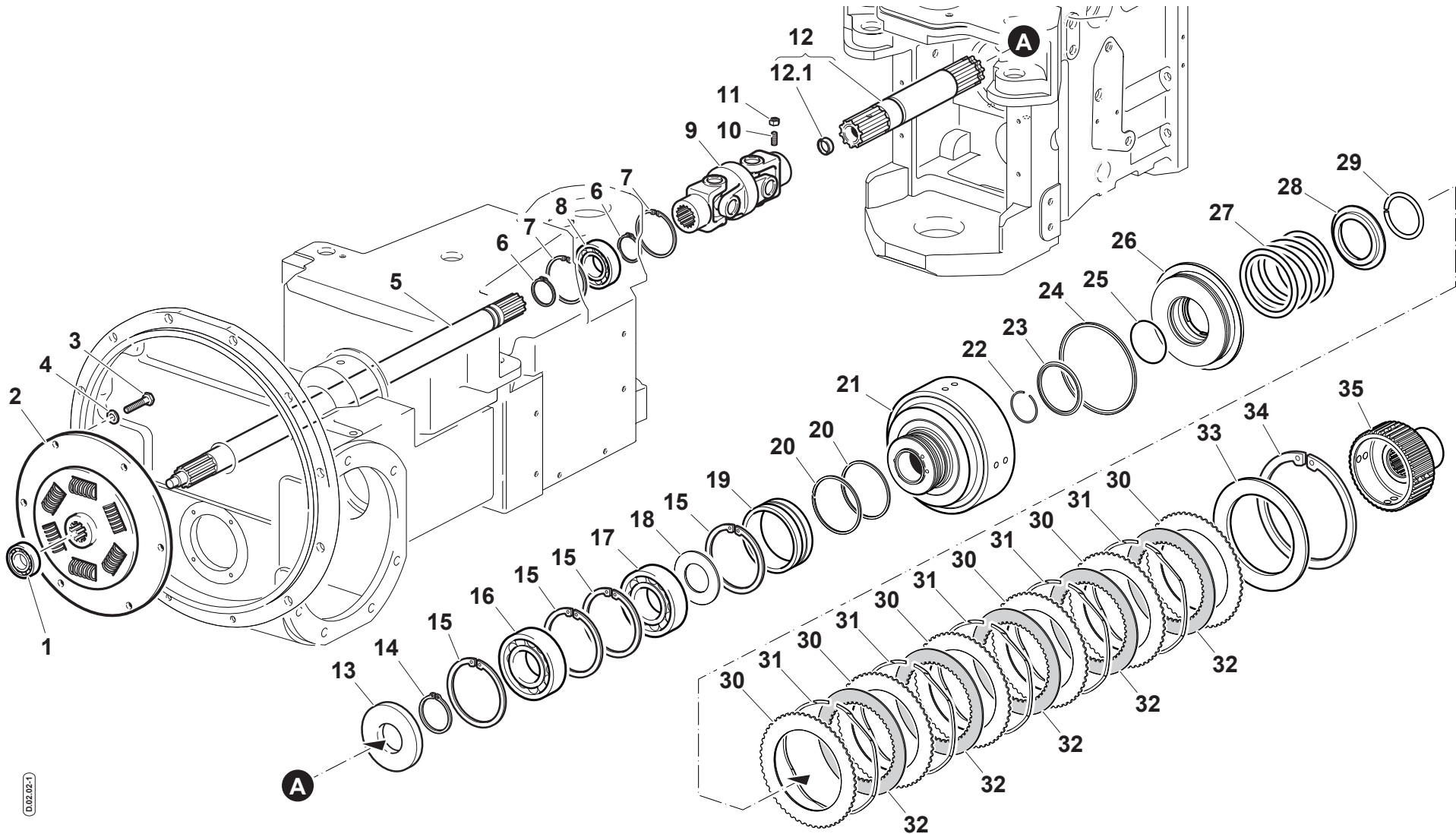
SERIAL

CLUTCH FRONT SHAFT/ TRANSMISSION CLUTCH

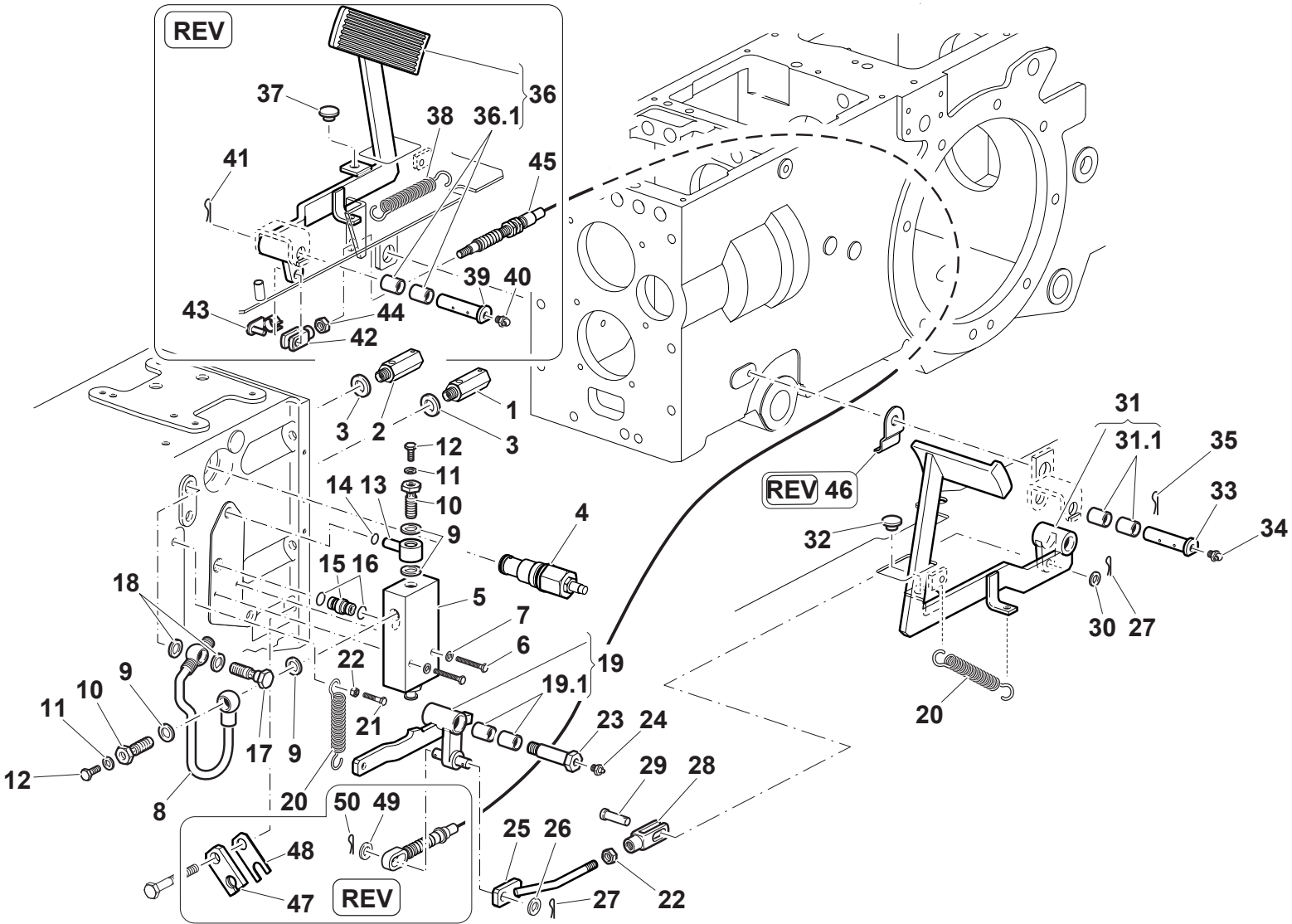
CODE REV

D.02.02.L50003_1

CLUTCH FRONT SHAFT/ TRANSMISSION CLUTCH



Pos.	Code	Q.ty	Description	Notes
11	F0814574000	2	NUT	
10	F0862593050	2	SCREW M8X20 UNI 5927	



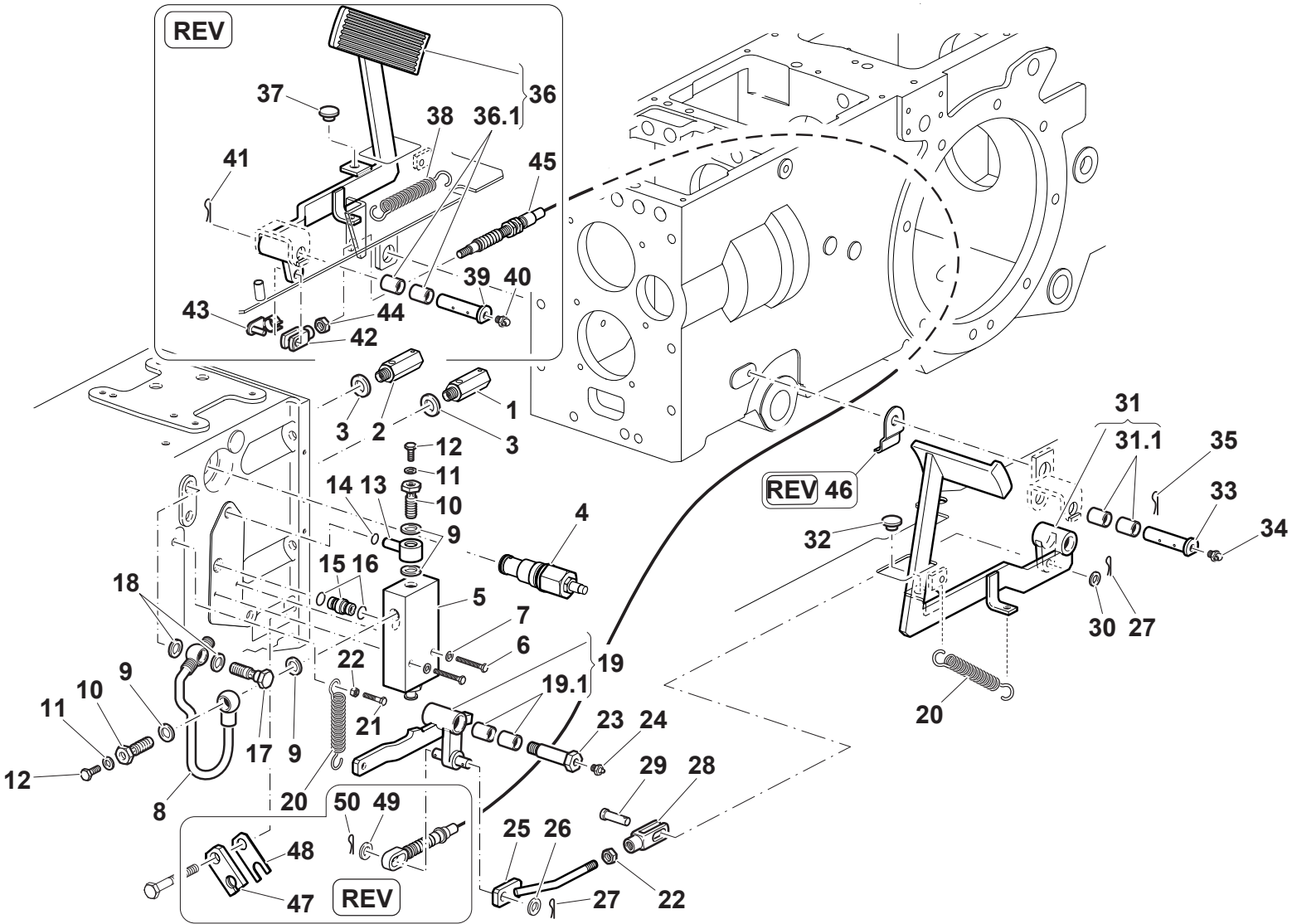
Pos.	Code	Q.ty	Description	Notes
24	30000007	1	LUBRICATOR	
30	31411084	1	WASHER 8,4x17	
26	31411105	1	WASHER 10,5x21	
49	31411105	1	WASHER 10,5x21	
28	56074302	1	FORK	
46	56075230	1	BRACKET	
15	56170029	1	PIPE FITTING	
23	56173684	1	PIN	
47	56174400	1	PLATE	
48	56174401	1	FIXING PLATE	
33	56373194	1	HINGE PIN	
20	58070790	2	RESTORING SPRING	
38	58070790	1	RESTORING SPRING	
10	58074558	2	PIPE FITTING	
5	58173030	1	SWITCH	
19,1	58173195	2	BUSHING	
31,1	58173195	2	BUSHING	
36,1	58173195	2	BUSHING	
4	58173961	1	VALVE	
45	58174417	1	CABLE	
25	59073685	1	ROD	
19	59073725	1	ROCKER	
36	59074081	1	PEDAL	
31	59074206	1	CLUTCH PEDAL	
39	59074296	1	PEDAL	
13	59074623	1	PRESSURE PIPE	
8	59074741	1	PIPE	
1	59271860	1	VALVE	
2	59276708	1	VALVE	
16	F0803057000	2	O-RING	
14	F0803171100	1	O-RING	
27	F0810510000	2	SPLIT PIN A2,0X20 UNI 1336	
50	F0810510000	1	SPLIT PIN A2,0X20 UNI 1336	
35	F0810527000	1	FRONT COVER	

SERIAL

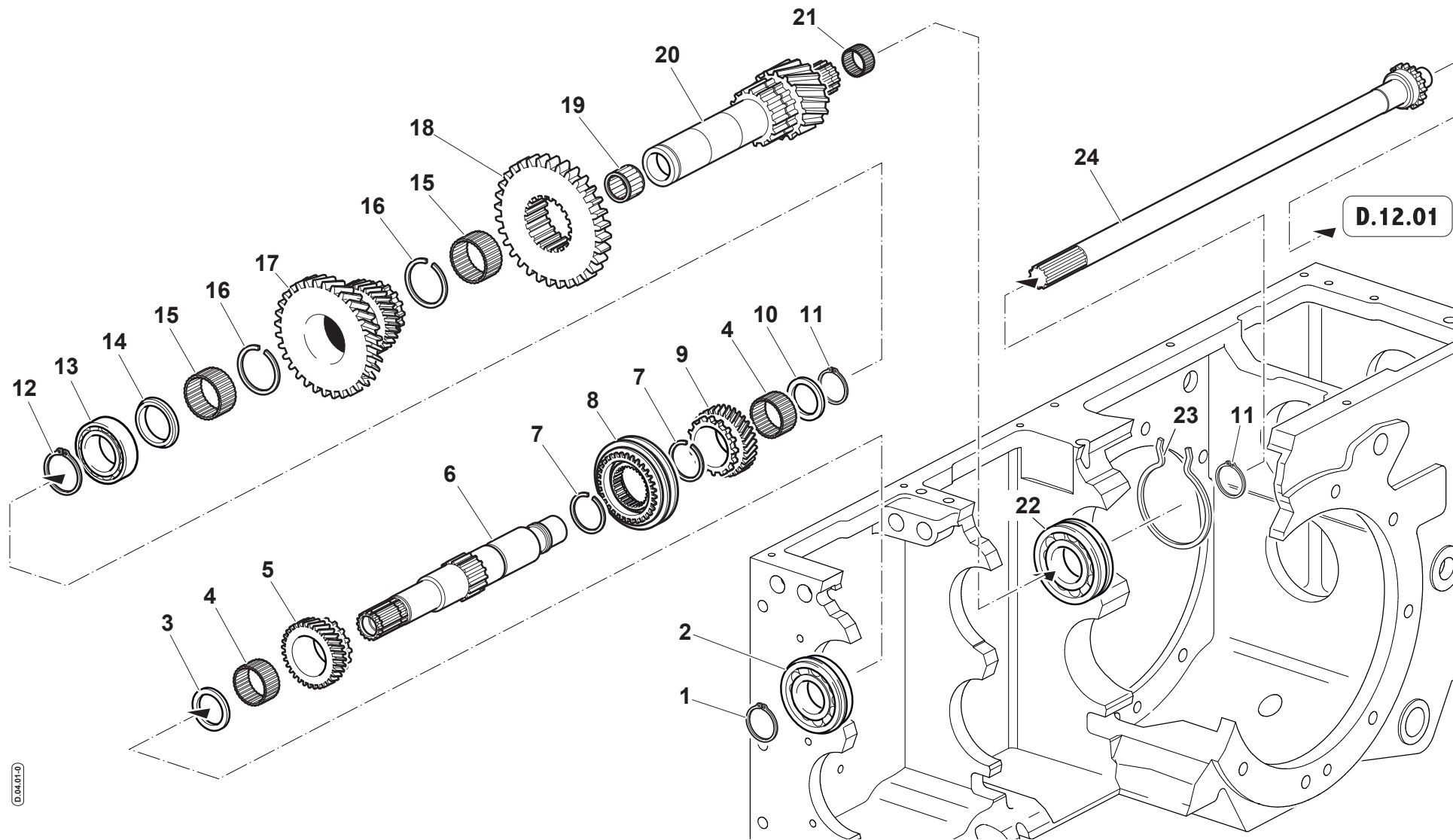
CLUTCH CONTROLS

CODE REV

D.03.01.L50017_0



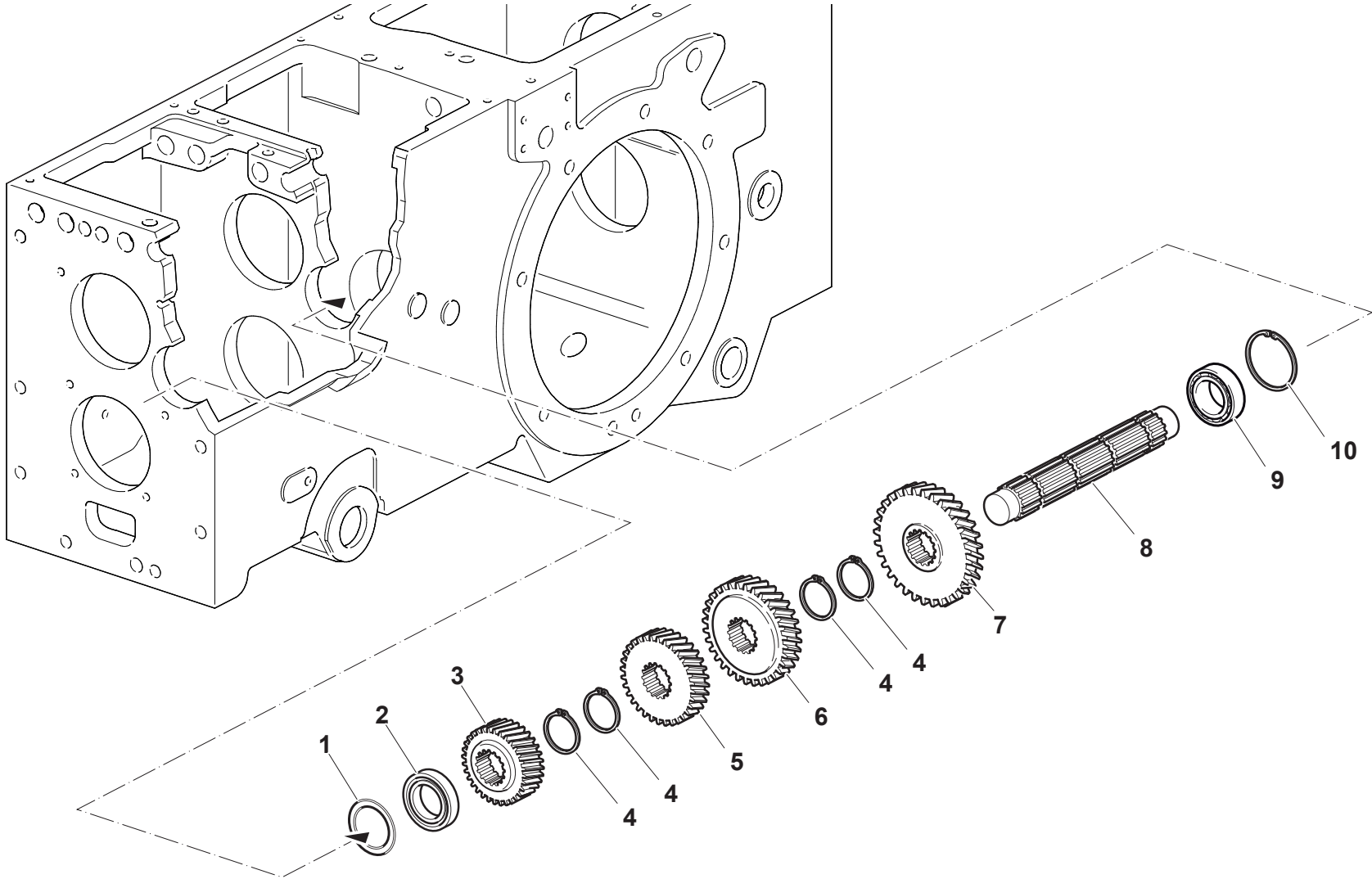
Pos.	Code	Q.ty	Description	Notes
41	F0810527000	1	FRONT COVER	
22	F0814569000	2	NUT	
44	F0814569000	1	NUT	
32	F0822537050	1	BUFFER	
37	F0822537050	1	BUFFER	
18	F0824110000	2	COPPER WASHER 3/8 GAS	
34	F0826039000	1	LUBRICATOR	
40	F0826039000	1	LUBRICATOR	
29	F0835523000	1	PIN	
17	F0843109020	1	PIPE FITTING	
7	F0843581010	2	SPRING WASHER 6	
11	F0843641000	2	COPPER WASHER 8x14/1,5	
3	F0843841000	2	COPPER WASHER 12,0x18/1,5	
9	F0843907000	4	COPPER WASHER 13,66x19/1,5	
42	F0860060010	1	FORK	
43	F0860060020	1	PIN	
6	F0862345000	2	SCREW M6X40 UNI 5737	
12	F0862448100	2	SCREW M8X10 UNI 5740	
21	F0862694000	1	SCREW M8X170 UNI 5737	



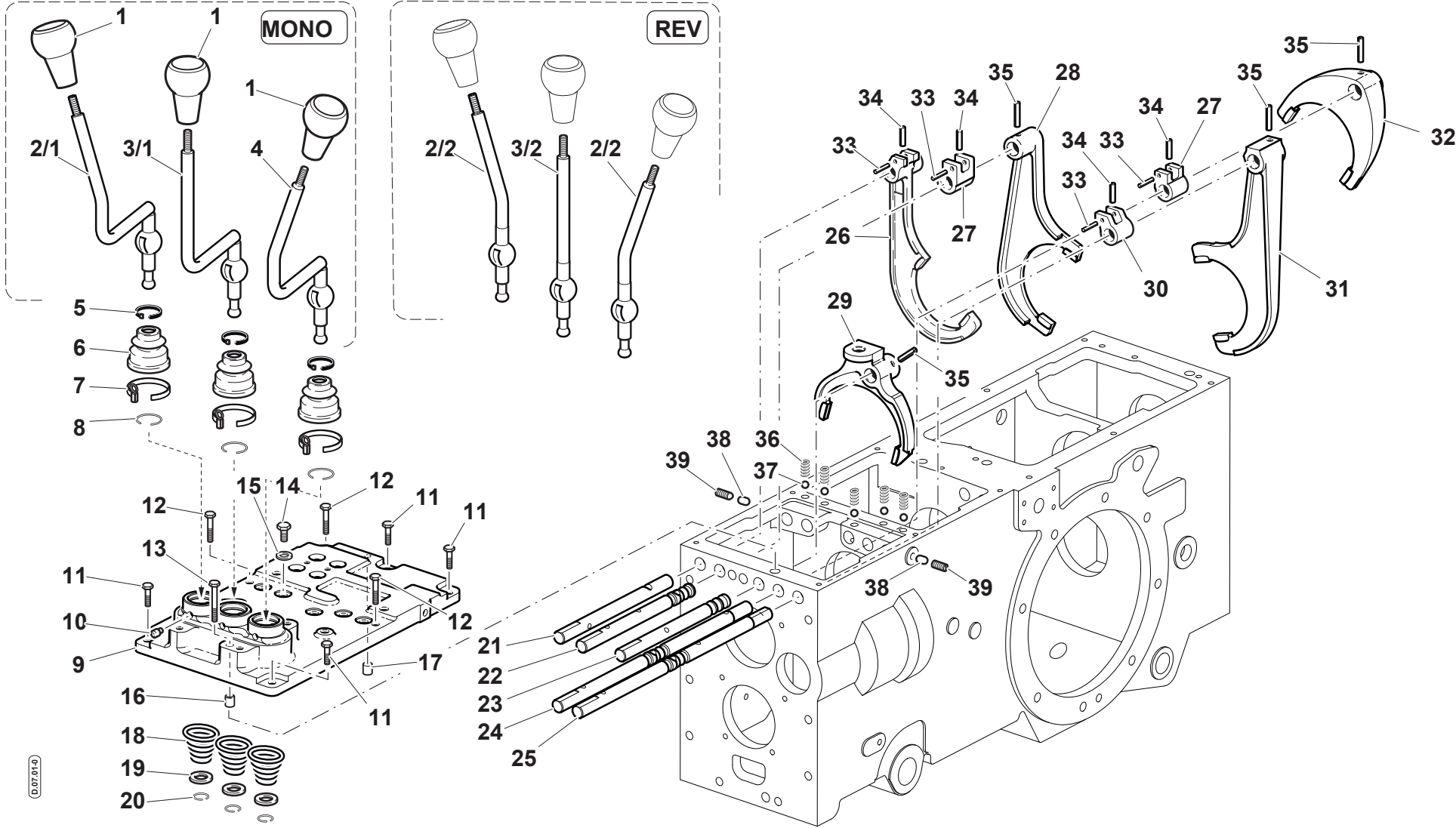
D.04.01.L50017_0.ai

D.04.01-0

Pos.	Code	Q.ty	Description	Notes
11	35121040	2	SEEGER RING	
18	52470762	1	SLIDING GEAR	
24	52473656	1	SHAFT	
5	52473838	1	DRIVEN GEAR	
9	52473839	1	GEAR	
17	52474254	1	DOUBLE GEAR	
20	52475073	1	OUTPUT SHAFT	
3	56470110	1	SHIM	
14	56470111	1	SHIM	
10	56470139	1	SHIM	
6	56473818	1	SHAFT	
23	58170130	1	CIRCLIP	
8	58170279	1	LOCK SYNCHRONIZER	
1	F0801264050	1	SEEGER RING	
7	F0801331150	2	SAFETY RING	
12	F0801353000	1	SEEGER RING	
16	F0801380100	2	SAFETY RING	
21	F0812660020	1	ROLLER CAGE K 22X26/17	
19	F0812783000	1	ROLLER CAGE K 32X38/20	
2	F0812868000	1	BEARING 6307-NR	
4	F0812878040	2	ROLLER CAGE K 40X45/27	
22	F0812918010	1	BEARING 6308-NR (40x90x23)	
15	F0812951200	2	ROLLER CAGE K 50X55/20 H	
13	F0812952000	1	BEARING 6010	



Pos.	Code	Q.ty	Description	Notes
10	35111052	1	SEEGER RING	
9	37111255	1	BEARING	
8	52473827	1	OUTPUT SHAFT	
3	52473828	1	GEAR	
5	52473829	1	GEAR	
6	52473830	1	GEAR	
7	52473831	1	GEAR	
4	F0801241010	4	SEEGER RING	
2	F0812708030	1	BEARING NJ 205E	
1	F0850100000	1	SHIM 41x51/0,2	
1	F0850100010	1	SHIM 41x51/0,3	
1	F0850100020	1	SHIM 41x51/0,5	



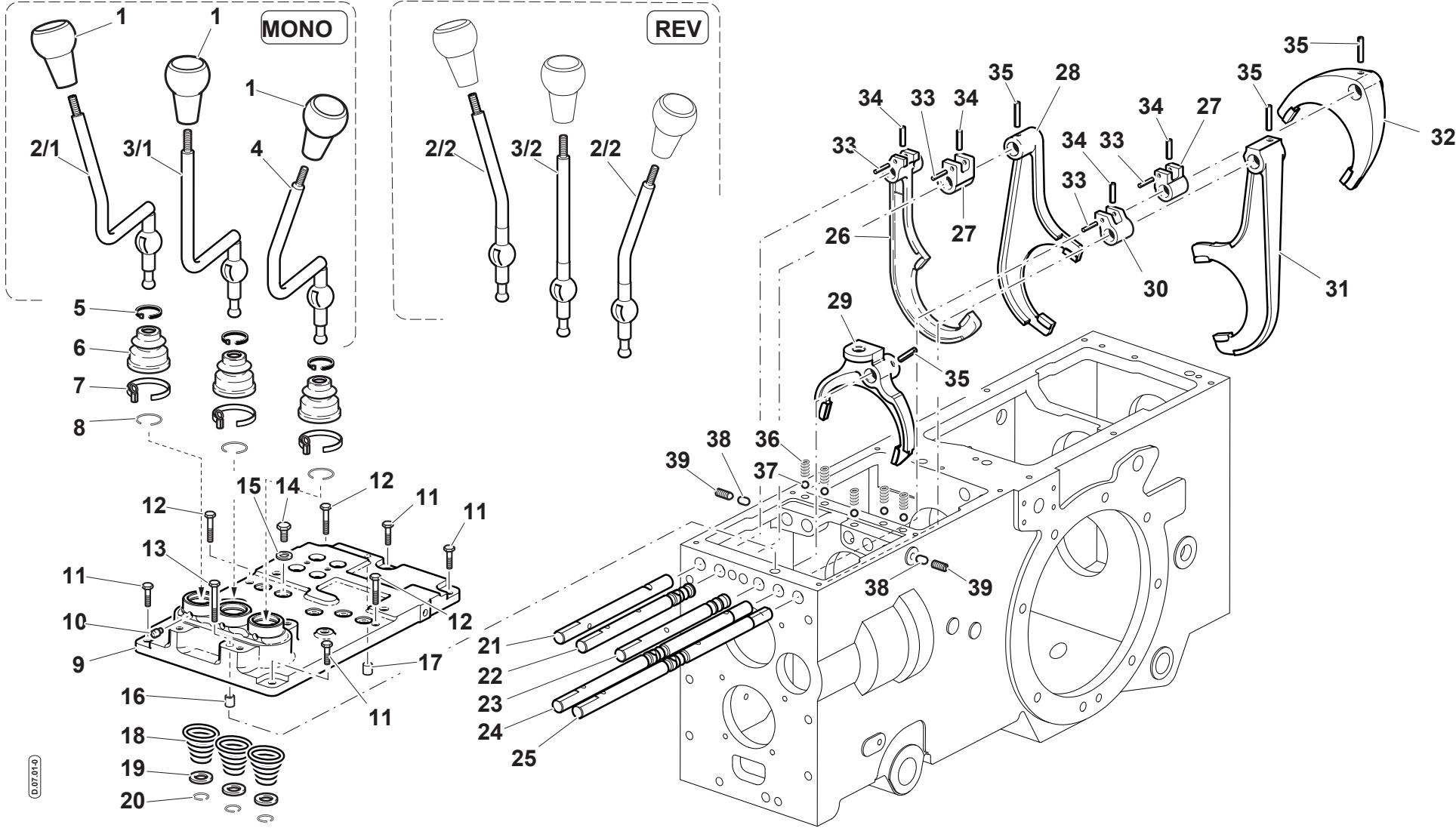
Pos.	Code	Q.ty	Description	Notes
11	31112146	4	SCREW TE M8X22 UNI 5739 8G	
12	31112152	3	SCREW TE M8X30 UNI 5739 8G	
9	51174394	1	COVER	
32	51270771	1	SELECTOR FORK	
31	51273893	1	SELECTOR FORK	
28	52272112	1	SELECTOR FORK	
29	52273364	1	SELECTOR FORK	
26	52274299	1	SELECTOR FORK	
02-feb	52374189	2	COMMAND LEVER	
27	52374297	2	CATCH	
30	52374298	1	CATCH	
03-feb	52374386	1	COMMAND LEVER	
6	55170053	3	CAP	
16	56170017	1	PIN	
10	56370018	6	HINGE PIN	
25	56370154	1	PULL ROD	
23	56370165	1	ROD	
19	56370172	3	SPACER	
22	56370177	1	PULL ROD	
14	56370186	5	PLUG	
21	56371065	1	PULL ROD	
24	56373213	1	PULL ROD	
17	56570016	1	CYLINDRICAL PLUG	
38	56570125	2	TOGGLE	
18	58070164	3	SPRING	
20	58070168	3	LOCKRING	
8	58070169	3	LOCKRING	
36	58070741	5	SPRING	
7	58170054	3	COLLAR	
1	58174192	3	HANDLE	
02-gen	59074185	1	COMMAND LEVER	
4	59074188	1	COMMAND LEVER	
03-gen	59074387	1	COMMAND LEVER	
5	F0817640003	3	CLAMP 4,8x180	

SERIAL

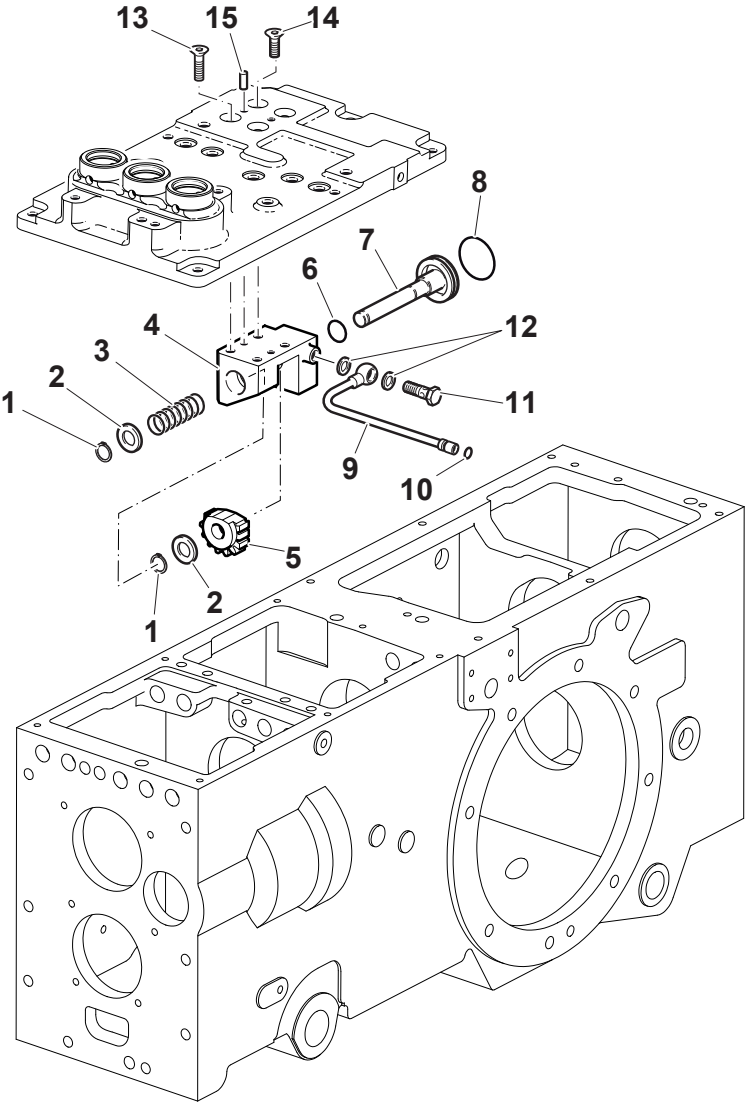
GEARBOX CONTROLS

CODE REV

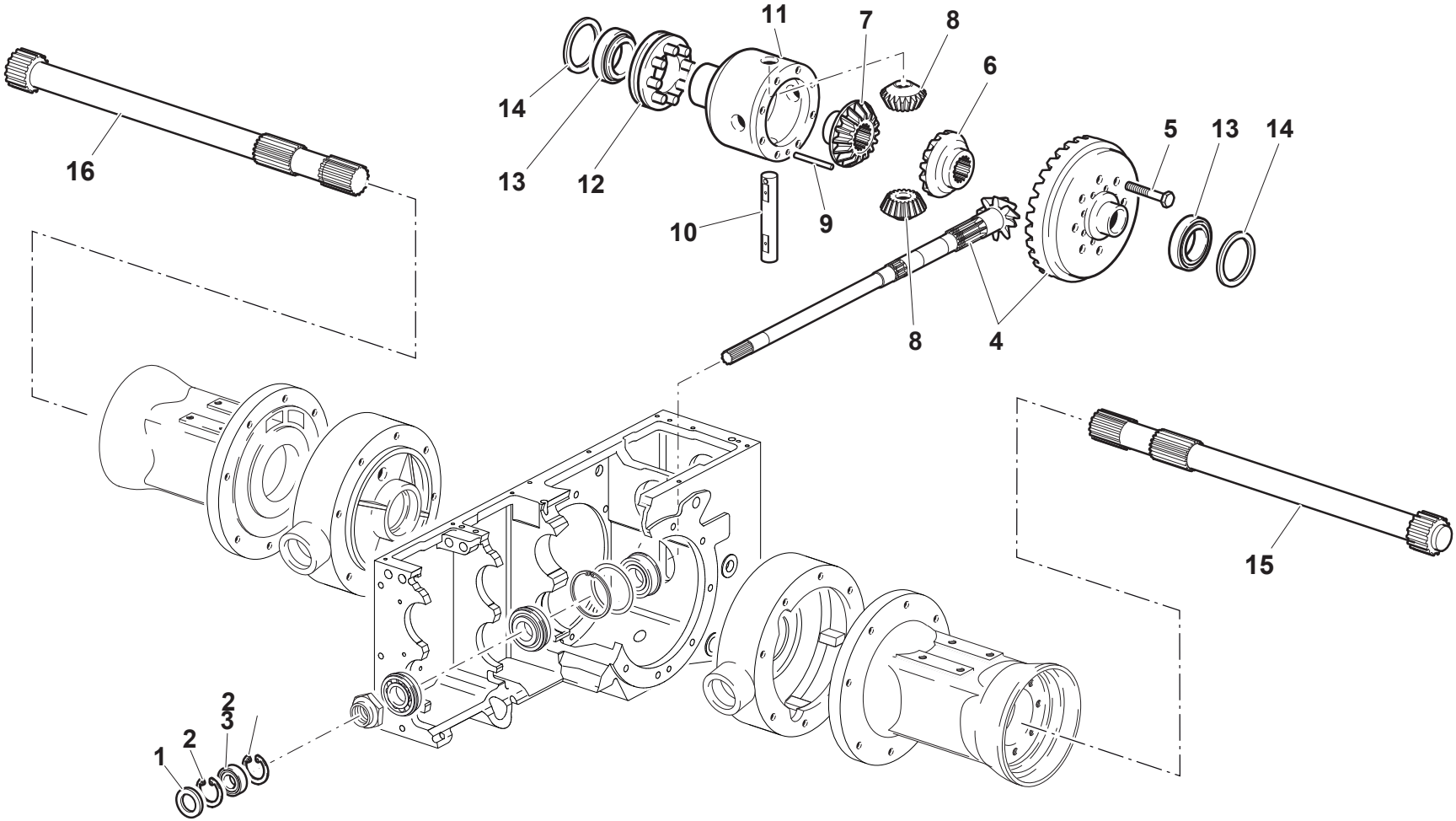
D.07.01.L50017_0



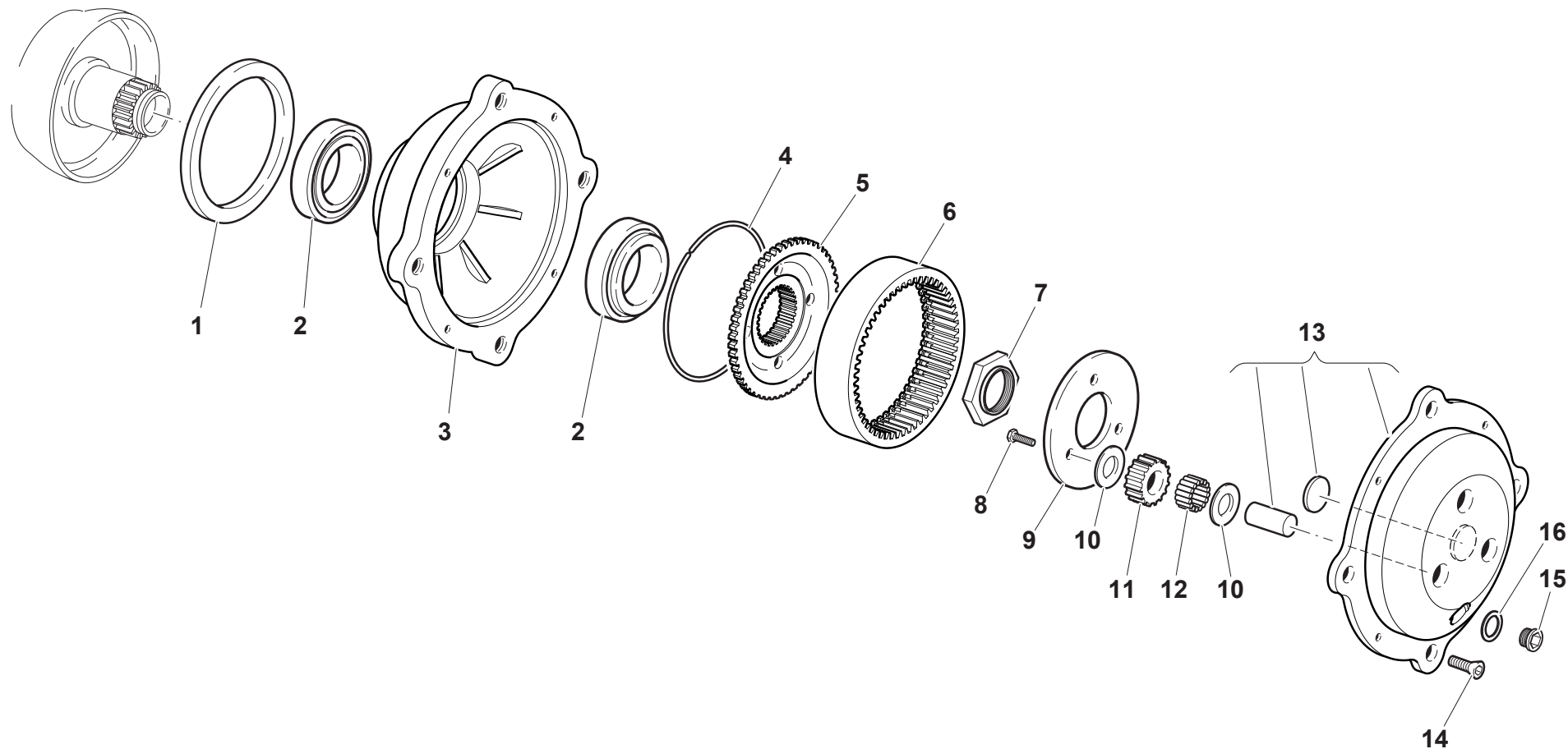
Pos.	Code	Q.ty	Description	Notes
15	F0843771000	5	COPPER WASHER 10,0x16/1	
37	F0847434000	5	BALL	
33	F0851156000	4	PIN 4X30 DIN 1481 CL:C72	
34	F0851262000	4	PIN 6X26 DIN 7343 CL:C72	
35	F0851267050	3	PIN 6X30 DIN 7343 CL:C72	
13	F0862944000	1	SCREW M8X60 UNI 5737	
39	F0863183000	2	SCREW M10X16 UNI 5923	



Pos.	Code	Q.ty	Description	Notes
1	35121014	0	SEEGER RING	
8	38114070	0	O-RING	
15	52074435	0	CYLINDRICAL PLUG	
5	56475839	0	SMALL BLOCK	
3	58072107	0	SPRING	
9	59074436	0	PIPE	
4	59074438	0	SMALL BLOCK	
7	59272073	0	PISTON	
10	F0803050000	0	O-RING	
6	F0803186000	0	O-RING	
11	F0843102000	0	THREADED TERMINAL END	
12	F0843771000	0	COPPER WASHER 10,0x16/1	
2	F0843957000	0	WASHER D.25x14,5/2,2	
14	F0862549000	0	SCREW M8X18 UNI 5933	
13	F0862655000	0	SCREW M8X25-5933	

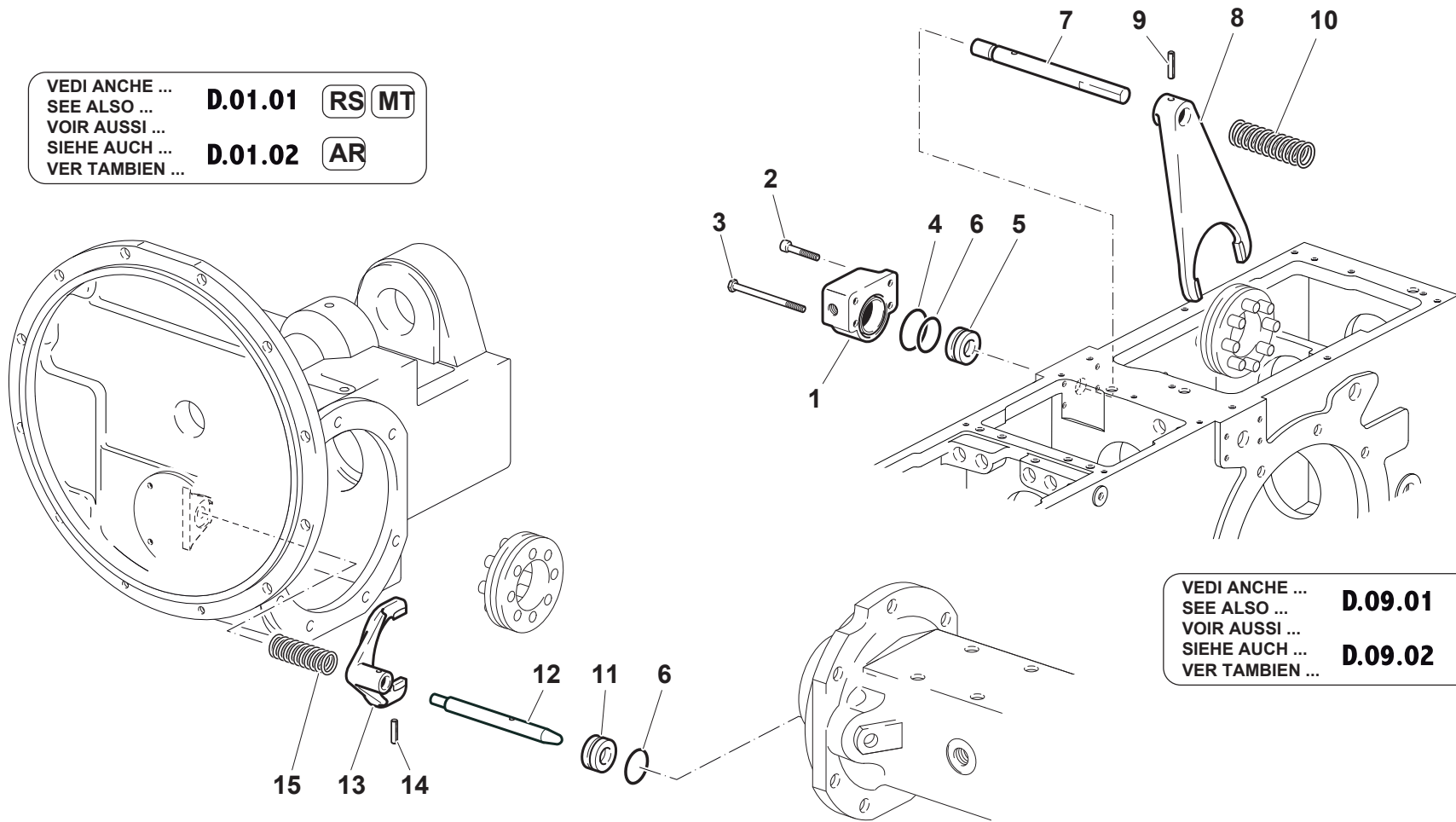


Pos.	Code	Q.ty	Description	Notes
2	35111062	2	SEEGER RING	
3	37111254	1	BEARING	
11	51371035	1	HOUSING	
7	52470061	1	PINION	
6	52470062	1	PINION	
8	52470067	2	DIFFERENTIAL PINION	
14	56370089	1	RING	
14	56370127	1	RING	
14	56370128	1	RING	
14	56370830	1	RING	
9	56371037	2	PIN	
16	56470814	1	REAR AXLE SHAFT	
15	56470815	1	REAR AXLE SHAFT	
10	56471036	1	PIN	
12	59070065	1	SLEEVE	
4	59374549	1	BEVEL GEAR	
1	F0802104000	1	OIL SEAL 25x62/10	
13	F0812956000	2	BEARING 32010 X/Q	
5	F0863311250	8	SCREW M10x1,5x32	



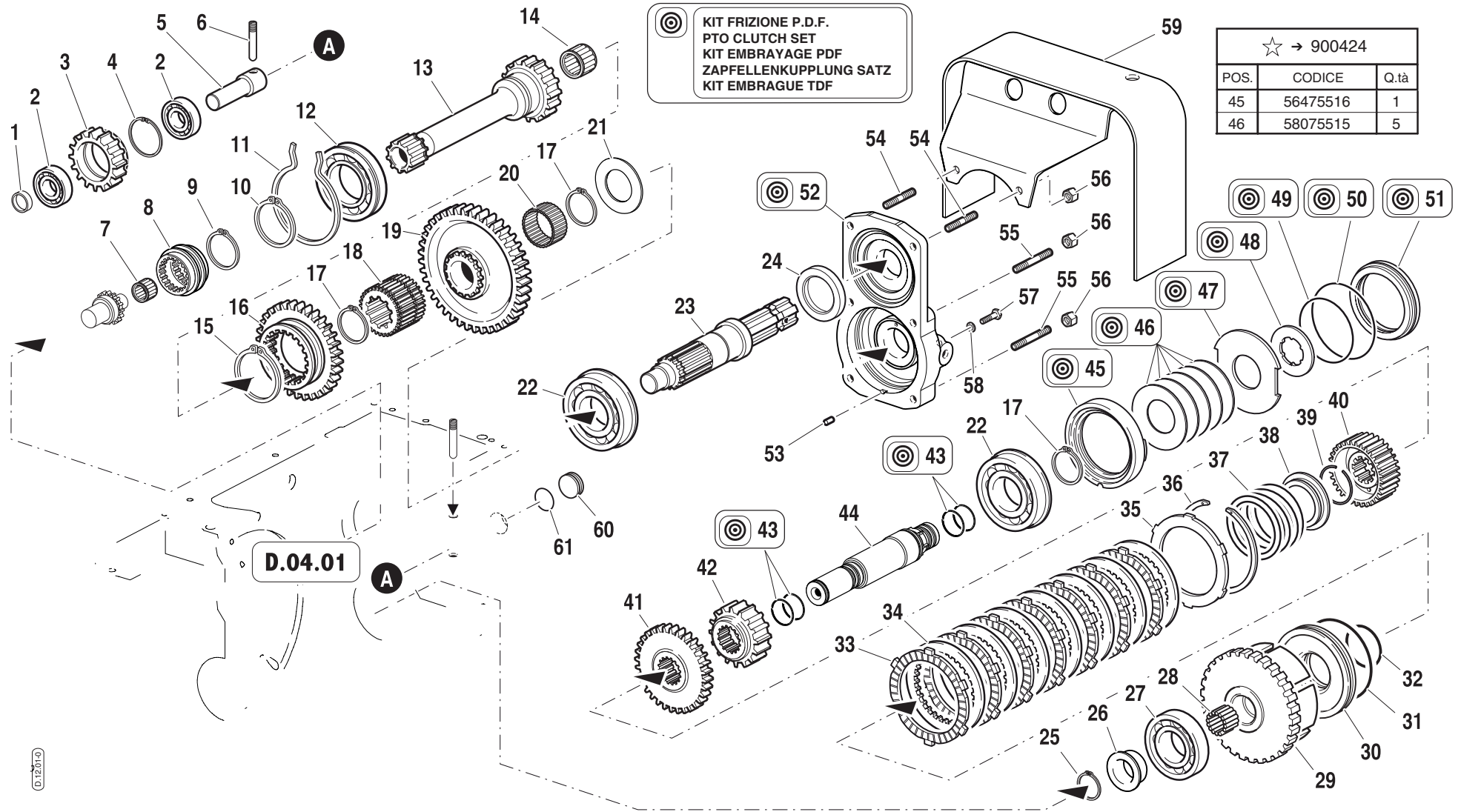
Pos.	Code	Q.ty	Description	Notes
3	51172005	1	HUB	
6	52370072	1	CROWN WHEEL	
5	52370075	1	FLANGE	
11	52470087	3	PLANETARY GEAR	
9	56170074	1	ADJUSTING RING	
10	56370076	6	SHIM	
7	56370079	1	RING NUT	
15	56370081	1	PLUG	
4	58070071	1	RING	
12	58170070	3	ROLLER BEARING	
13	59070094	1	COVER	
1	F0802700150	1	SEAL 125x150x12	
2	F0812975250	2	CYL. ROLLER BEARING 32013X	
16	F0844273090	1	GASKET 22X28X1,5 CU 99,5	
8	F0862478070	3	SCREW M8x16	
14	F0862655000	4	SCREW M8X25-5933	

VEDI ANCHE ... **D.01.01** **RS** **MT**
 SEE ALSO ...
 VOIR AUSSI ...
 SIEHE AUCH ... **D.01.02** **AR**
 VER TAMBIEN ...



VEDI ANCHE ... **D.09.01** **RS** **MT**
 SEE ALSO ...
 VOIR AUSSI ...
 SIEHE AUCH ... **D.09.02** **AR**
 VER TAMBIEN ...

Pos.	Code	Q.ty	Description	Notes
3	31112161	2	SCREW TE M8X50 UNI 5737 8G	
2	31152085	2	SCREW TCEI M8X25 UNI 5931	
8	51270174	1	FORK	
13	51270203	1	FORK	
1	52374641	1	SMALL BLOCK	
5	56370187	1	PISTON	
7	56370204	1	LOCKING DEVICE	
12	56370582	1	LOCKING DEVICE	
11	56370583	1	PISTON	
10	58070198	1	SPRING	
15	58070205	1	SPRING	
6	58170195	2	GASKET	
4	F0803209000	1	O-RING	
14	F0851260000	1	PIN	
9	F0851267050	1	PIN 6X30 DIN 7343 CL:C72	



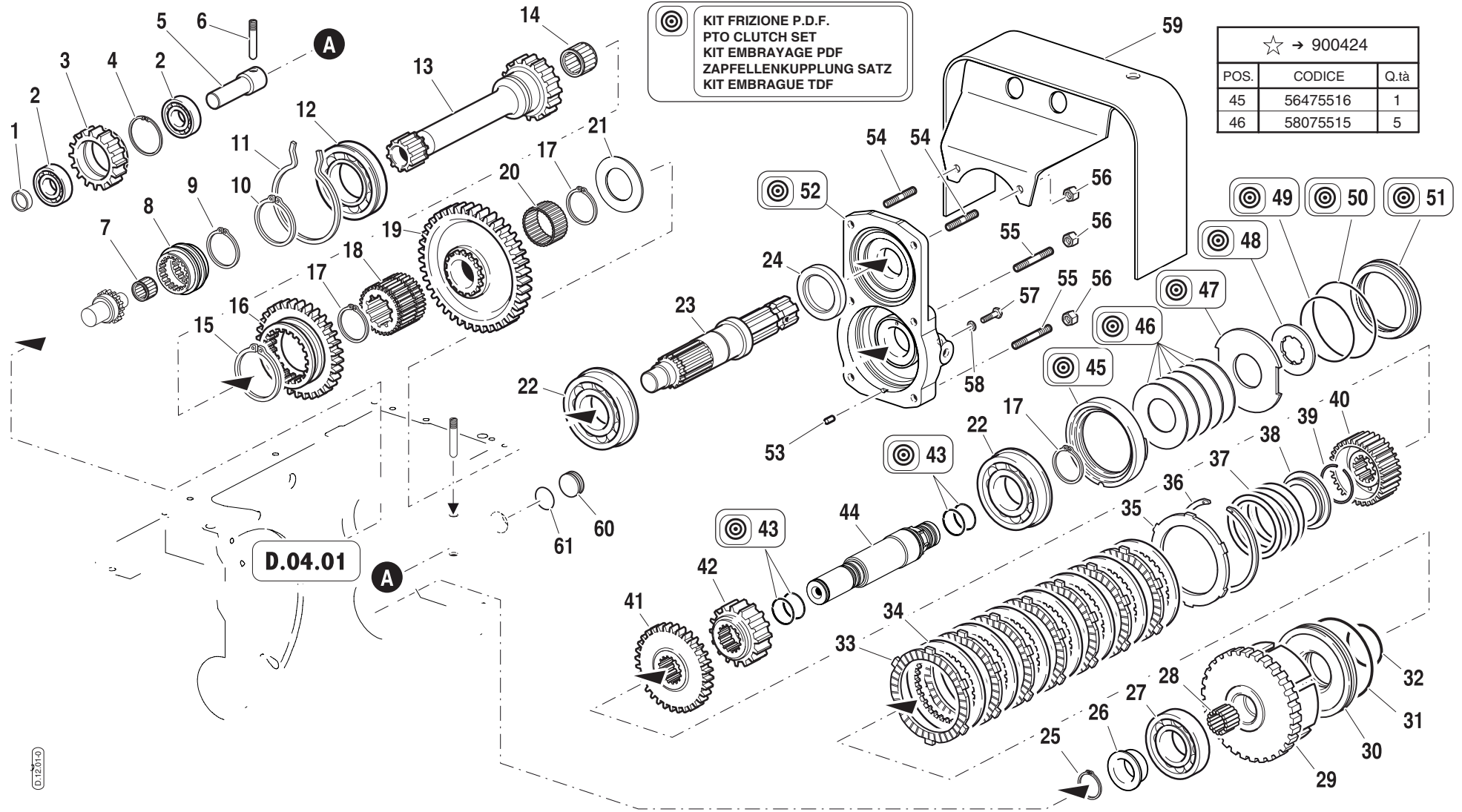
Pos.	Code	Q.ty	Description	Notes
55	31312089	4	STUD BOLT M8x52x14x18	
4	35111047	1	SEEGER RING	
9	35121040	1	SEEGER RING	
27	37111404	1	BEARING	
49	38116317	1	RING	
50	38118720	1	O-RING	
35	52372292	1	RING	
8	52470298	1	SLEEVE	
3	52473873	1	INTERMEDIATE WHEEL	
13	52473874	1	SHAFT	
19	52473875	1	DRIVEN GEAR	
23	52473876	1	P.T.O. STUB	
41	52473881	1	GEAR	
40	52473885	1	DISC HUB	
42	52473894	1	GEAR	
18	52475059	1	FIX SLEEVE	
16	52475060	1	PTO GEAR	
30	53273886	1	PISTON	
51	53273891	1	PISTON	
60	56074313	1	PLUG	
1	56171572	1	SPACER	
5	56174108	1	GEAR PIN	
6	56370178	1	SCREW	
38	56372282	1	RING	
26	56470987	1	BUSHING	
21	56473880	1	SHIM	
47	56473890	1	BRAKE DISC	
47	56474713	1	BRAKE DISC	
47	56474714	1	BRAKE DISC	
47	56475398	1	BRAKE DISC	
47	56475416	1	BRAKE DISC	
47	56475417	1	BRAKE DISC	
45	56475516	1	SPACER	
47	56475517	1	BRAKE DISC	

SERIAL

POWER TAKE-OFF

CODE REV

D.12.01.L50017_0



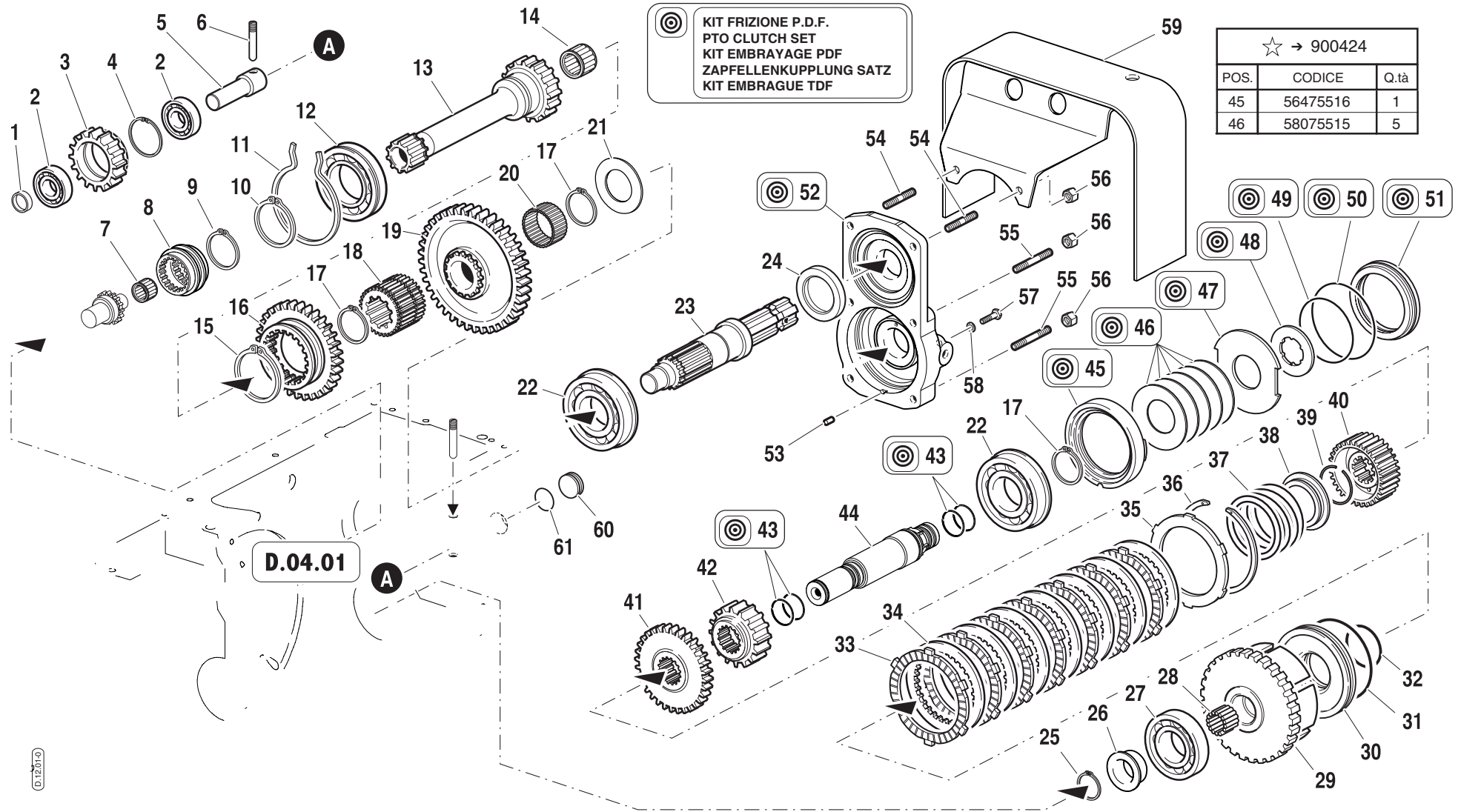
Pos.	Code	Q.ty	Description	Notes
47	56475518	1	CLUTCH DISC	
47	56475757	1	BRAKE DISC	
48	56475844	1	CLUTCH DISC	
36	58072389	1	CIRCLIP	
43	58072398	4	SEAL	
39	58072399	1	SAFETY RING	
37	58074092	1	RESTORING SPRING	
46	58075515	5	SPRING	
11	58170130	1	CIRCLIP	
31	58172400	1	GASKET	
32	58172402	1	GASKET	
33	58172447	7	DISC	
34	58172448	7	DISC	
59	59074993	1	P.T.O. PROTECTION	
44	59275513	1	SHAFT	
29	59374107	1	CLUTCH HOUSING	
52	59375435	1	COVER	
25	F0801241010	1	SEEGER RING	
17	F0801297050	3	SEEGER RING	
10	F0801353000	1	SEEGER RING	
15	F0801389000	1	SEEGER RING	
24	F0802228005	1	SEAL 48x65/10	
61	F0803199010	1	O-RING	
7	F0812599086	1	BUSHING HK1816	
2	F0812637000	2	BEARING 6204 (20x47x14)	
14	F0812689050	1	ROLLER CAGE K 25X33/20	
28	F0812736010	1	ROLLER CAGE K 30X35/20 H	
20	F0812878040	1	ROLLER CAGE K 40X45/27	
22	F0812918010	2	BEARING 6308-NR (40x90x23)	
12	F0812957010	1	BEARING 6210-N (50/90/20)	
56	F0814574000	6	NUT	
54	F0838154010	2	STUD BOLT M8X25 UNI 5911 8.8	
58	F0843641000	1	COPPER WASHER 8x14/1,5	
53	F0851226000	1	PIN 6X12 UNI 1707 CL:C20	

SERIAL

POWER TAKE-OFF

CODE REV

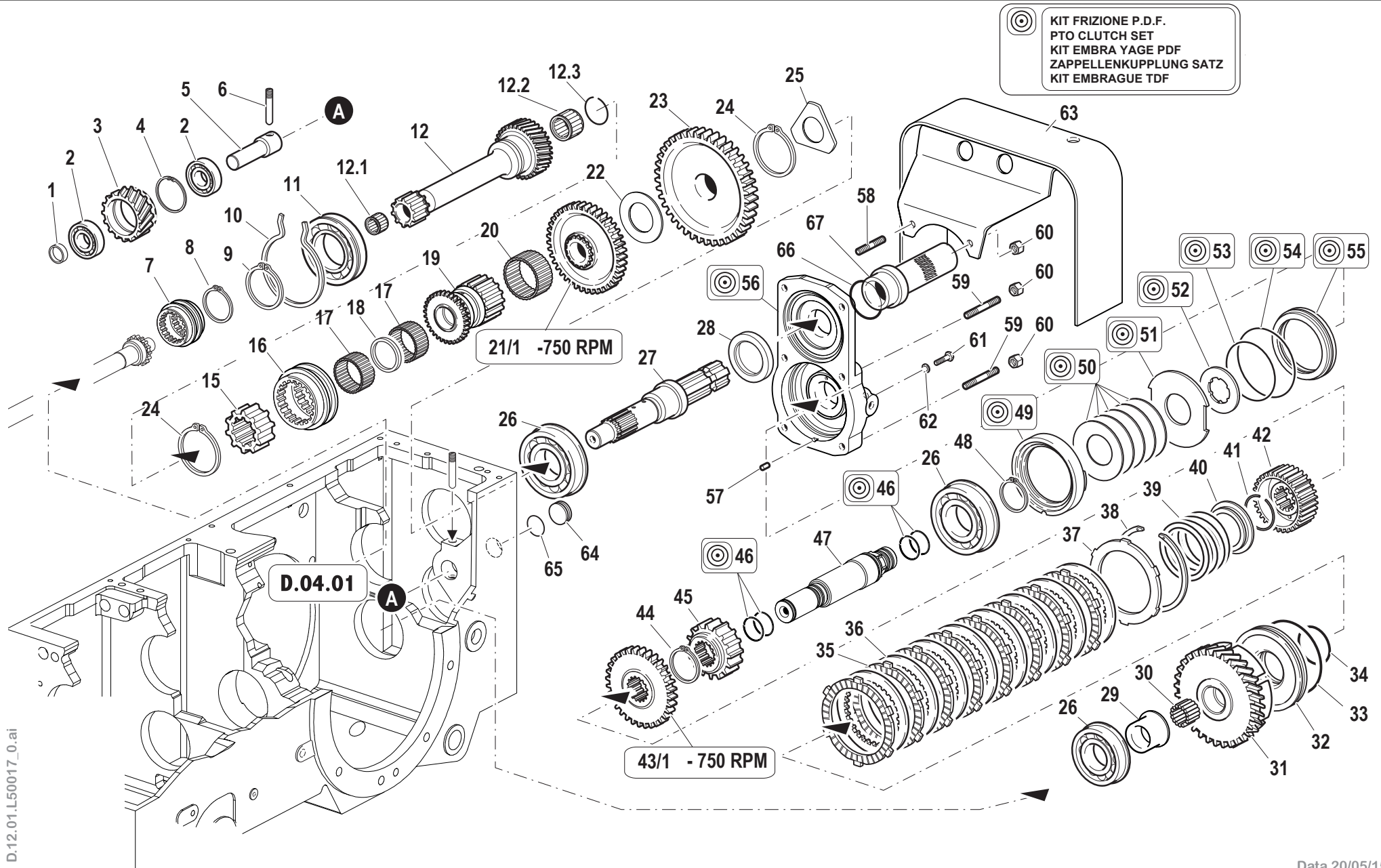
D.12.01.L50017_0



KIT FRIZIONE P.D.F.
 PTO CLUTCH SET
 KIT EMBRAYAGE PDF
 ZAPFELLENKUPPLUNG SATZ
 KIT EMBRAGUE TDF

★ → 900424		
POS.	CODICE	Q.tà
45	56475516	1
46	58075515	5

Pos.	Code	Q.ty	Description	Notes
57	F0862448100	1	SCREW M8X10 UNI 5740	



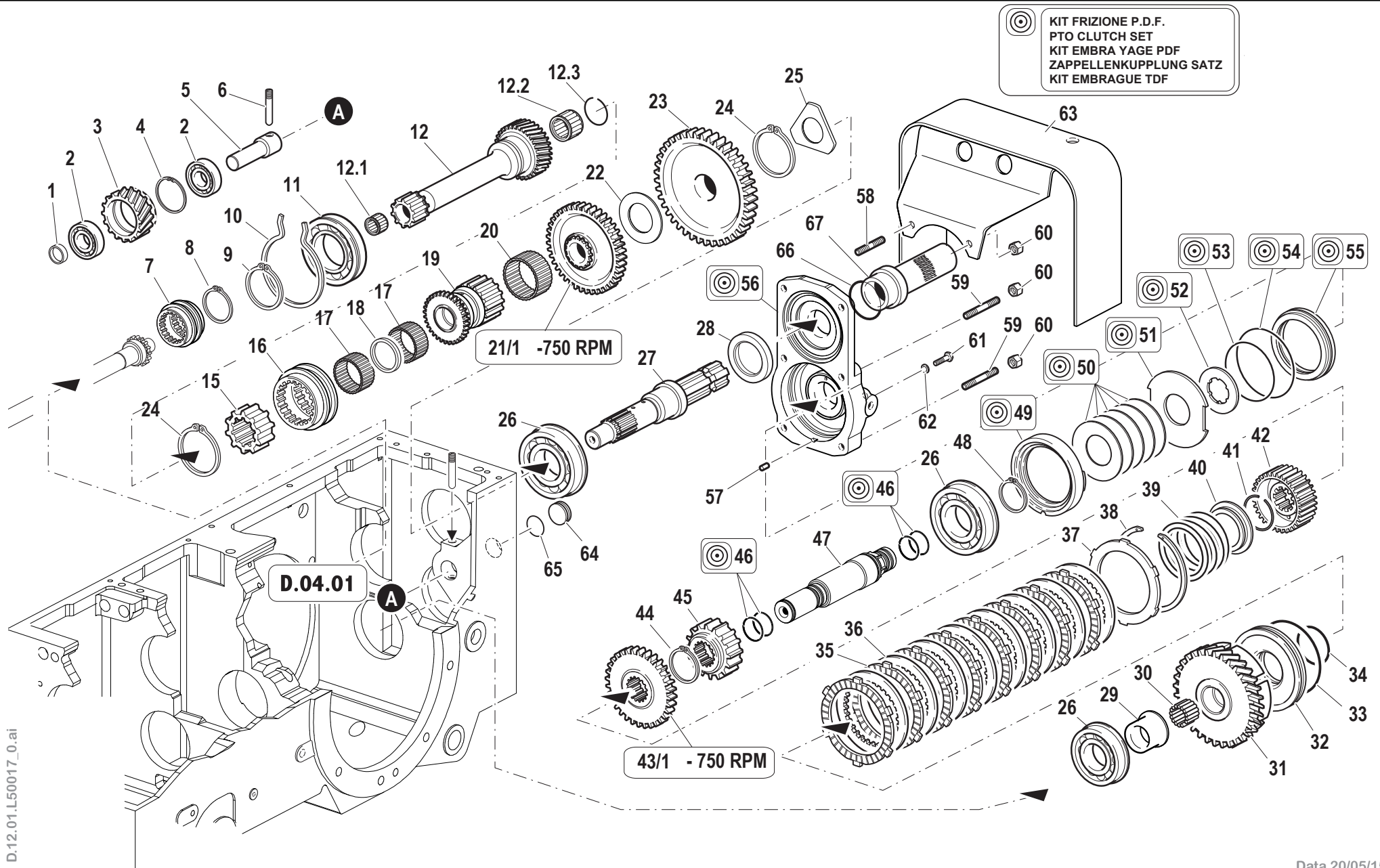
Pos.	Code	Q.ty	Description	Notes
60	31211080	6	NUT M8	
59	31312089	4	STUD BOLT M8x52x14x18	
4	35111047	1	SEEGER RING	
8	35121040	1	SEEGER RING	
53	38116317	1	RING	
54	38118720	1	O-RING	
37	52372292	1	RING	
7	52470298	1	SLEEVE	
45	52475551	1	GEAR	
43/01	52475552	1	GEAR	
23	52475554	1	DRIVEN GEAR	
31	52475562	1	CLUTCH HOUSING	
42	52475565	1	DISC HUB	
16	52476062	1	SHIFTING CLAW	
21-gen	52476063	1	DRIVEN GEAR	
19	52476067	1	SLEEVE	
15	52476068	1	SLEEVE	
3	52476868	1	INTERMEDIATE WHEEL	
32	53273886	1	PISTON	
55	53273891	1	PISTON	
64	56074313	1	PLUG	
18	56076074	1	SPACER	
1	56171572	1	SPACER	
5	56174108	1	GEAR PIN	
6	56370178	1	SCREW	
40	56372282	1	RING	
29	56470987	1	BUSHING	
51	56473890	1	BRAKE DISC	
51	56474713	1	BRAKE DISC	
51	56475398	1	BRAKE DISC	
51	56475416	1	BRAKE DISC	
51	56475417	1	BRAKE DISC	
49	56475516	1	SPACER	
51	56475517	1	BRAKE DISC	

SERIAL

POWER TAKE-OFF

CODE REV

D.12.01.L50017_1



D.12.01.L50017_0.ai


Pos.	Code	Q.ty	Description	Notes
22	56475568	1	SHIM	
51	56475757	1	BRAKE DISC	
52	56475844	1	CLUTCH DISC	
38	58072389	1	CIRCLIP	
46	58072398	4	SEAL	
41	58072399	1	SAFETY RING	
39	58074092	1	RESTORING SPRING	
50	58075515	5	SPRING	
10	58170130	1	CIRCLIP	
33	58172400	1	GASKET	
34	58172402	1	GASKET	
35	58172447	8	DISC	
36	58172448	8	DISC	
63	59074993	1	P.T.O. PROTECTION	
47	59276076	1	SHAFT	
56	59377433	1	COVER	
12	59900376	1	PTO SHAFT	
27	59978087	1	KIT	
24	F0801244080	2	SEEGER RING	
14	F0801248000	1	SAFETY RING	
44	F0801282050	1	SEEGER RING	
48	F0801297050	1	SEEGER RING	
9	F0801353000	1	SEEGER RING	
28	F0802228005	1	SEAL 48x65/10	
65	F0803199010	1	O-RING	
12,1	F0812599086	1	BUSHING HK1816	
2	F0812637000	2	BEARING 6204 (20x47x14)	
13	F0812689050	1	ROLLER CAGE K 25X33/20	
30	F0812736010	1	ROLLER CAGE K 30X35/20 H	
17	F0812784000	2	ROLLER CAGE K 32X37/27 H	
26	F0812899000	1	BEARING 6208-NR	
26	F0812918010	2	BEARING 6308-NR (40x90x23)	
20	F0812951300	1	ROLLER CAGE K 50X55/27 H	
11	F0812957010	1	BEARING 6210-N (50/90/20)	

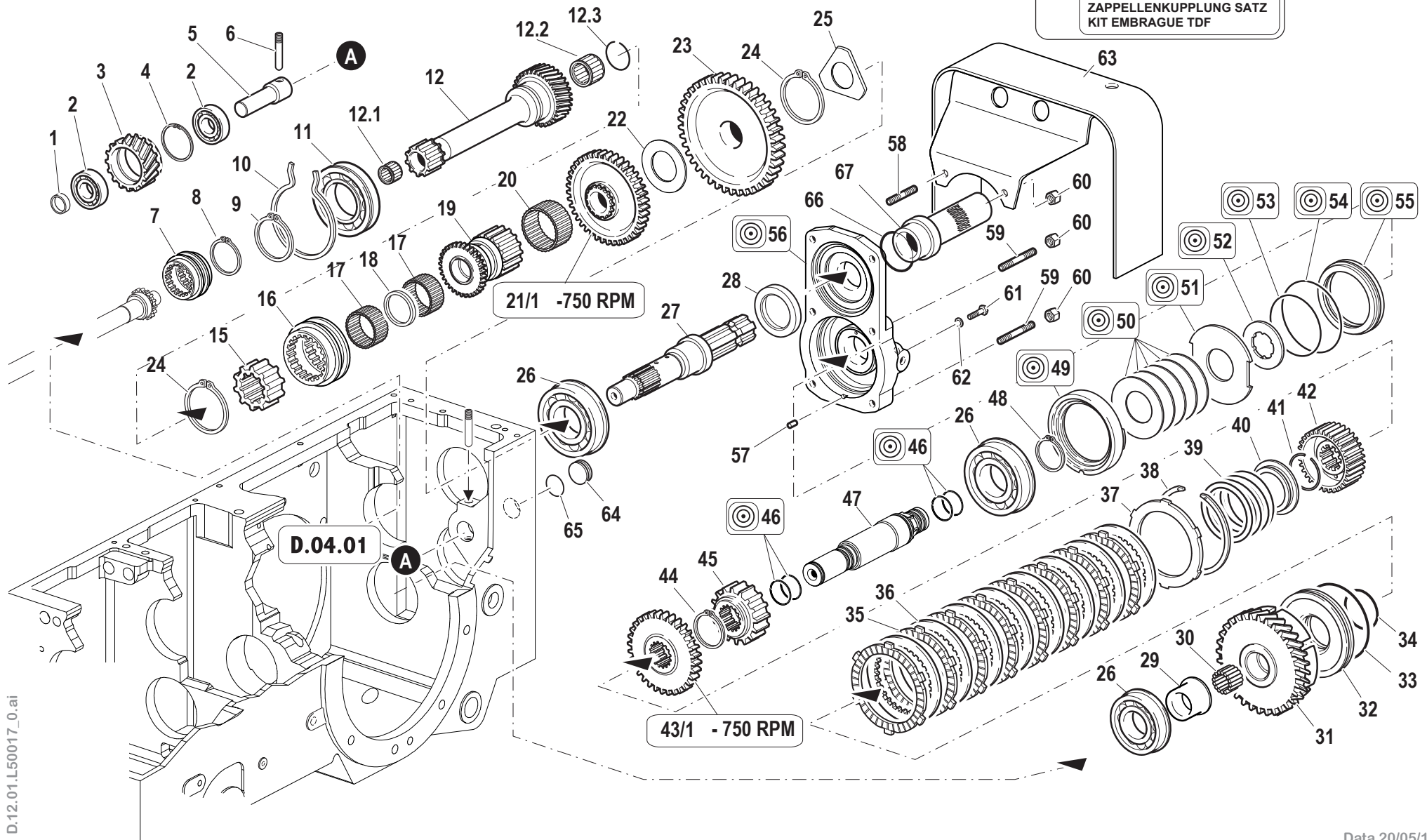
SERIAL

POWER TAKE-OFF

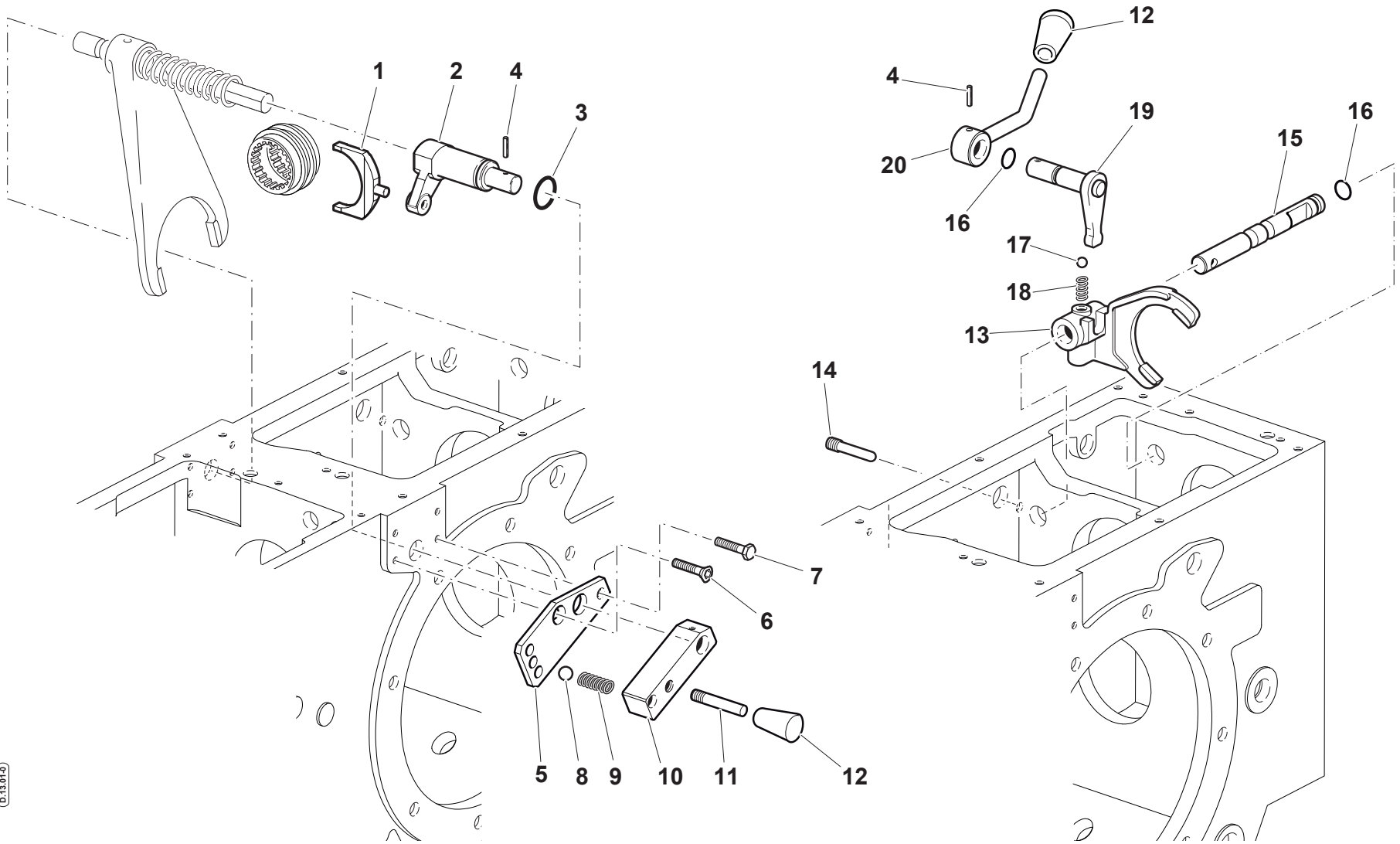
CODE REV

D.12.01.L50017_1

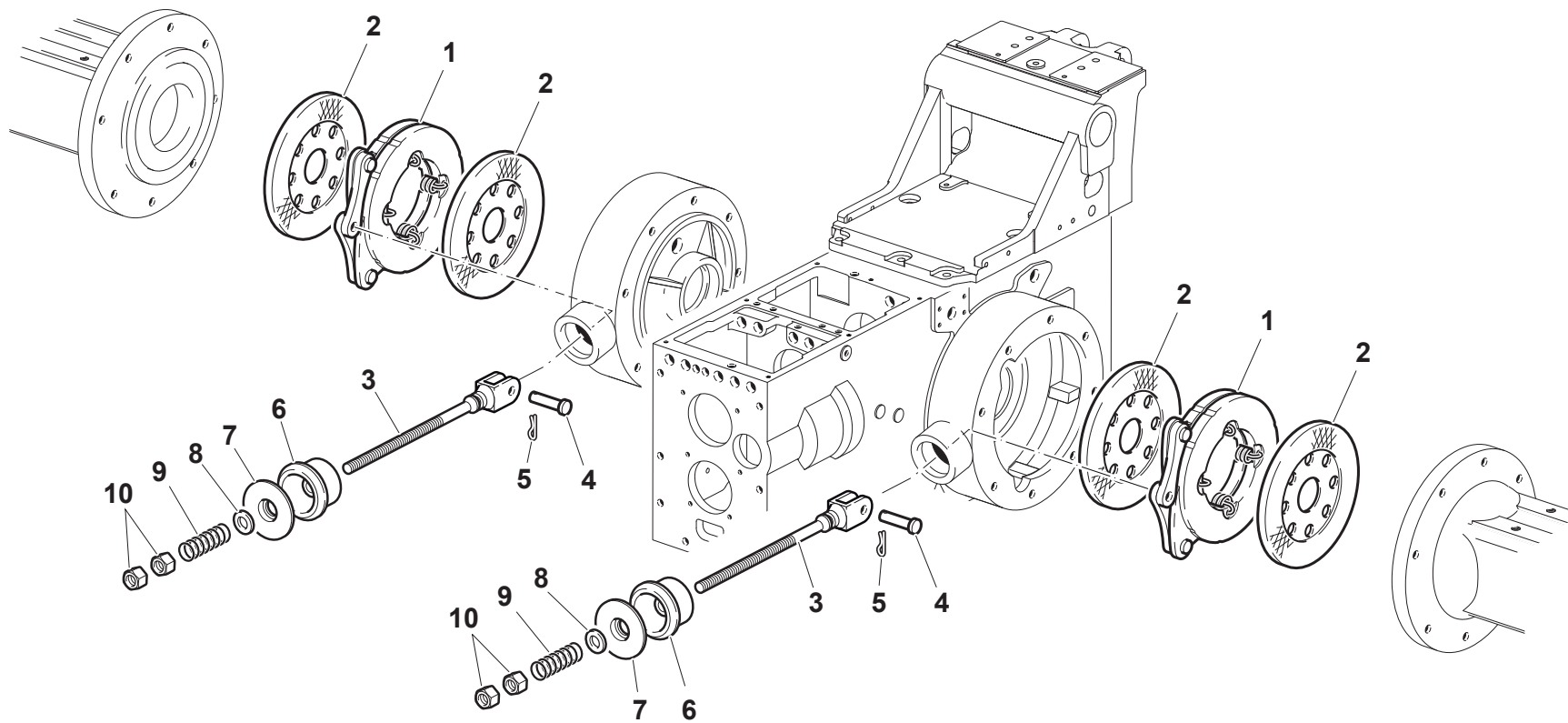

KIT FRIZIONE P.D.F.
PTO CLUTCH SET
KIT EMBRA YAGE PDF
ZAPPELENKUPPLUNG SATZ
KIT EMBRAGUE TDF



Pos.	Code	Q.ty	Description	Notes
58	F0838154010	2	STUD BOLT M8X25 UNI 5911 8.8	
62	F0843641000	1	COPPER WASHER 8x14/1,5	
57	F0851226000	1	PIN 6X12 UNI 1707 CL:C20	
61	F0862448100	1	SCREW M8X10 UNI 5740	
67	P470330000000	1	GUARD	
66	P470433000000	1	PROTECTIVE RING	

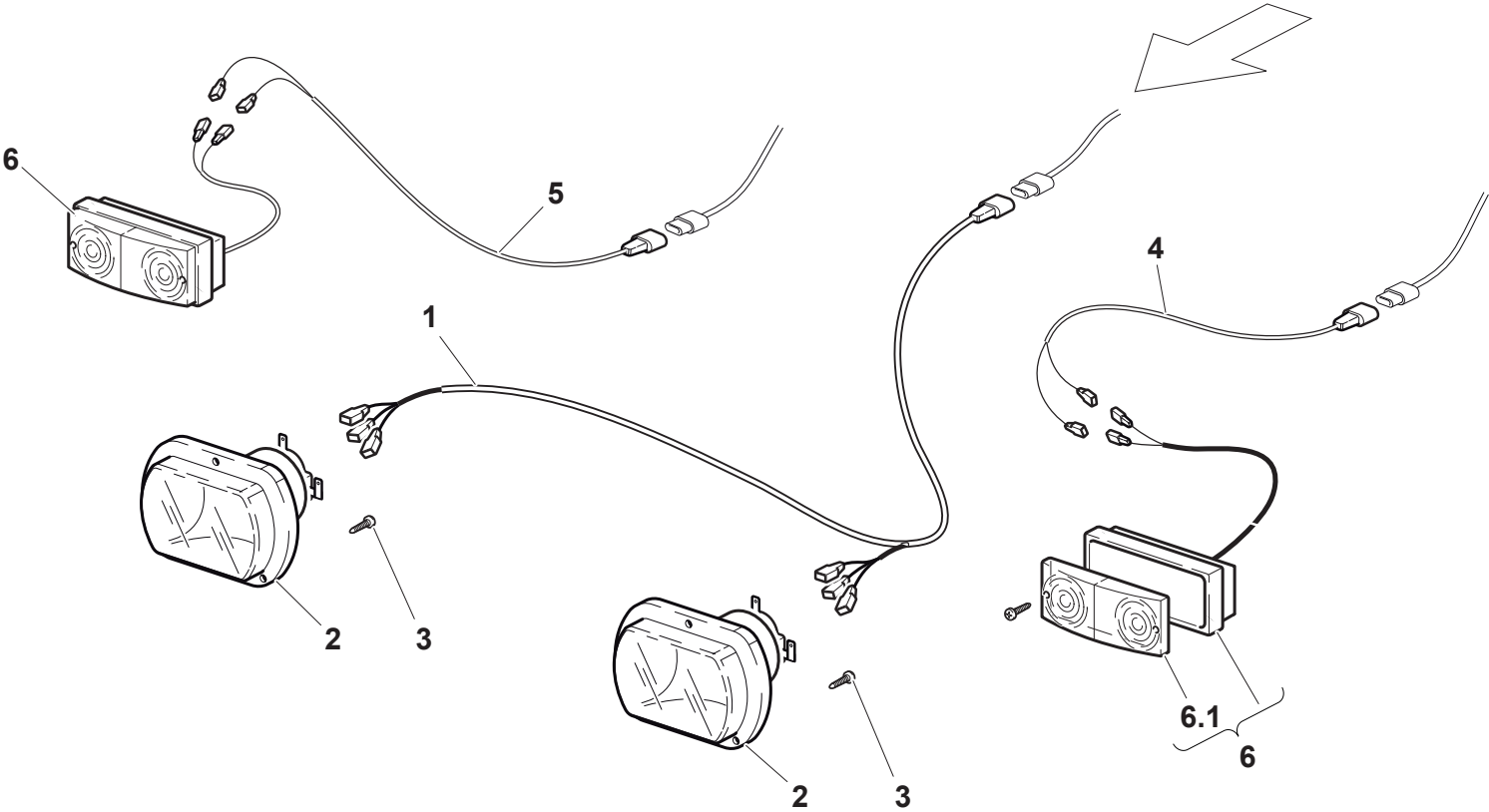


Pos.	Code	Q.ty	Description	Notes
7	31112150	1	SCREW TE M8X20 UNI 5739 8G	
6	31132566	1	SCREW TSVEI M8X20 UNI 5933	
4	34211054	2	ROLL PIN	
16	38111078	2	O-RING	
3	38112200	1	O-RING	
13	51274080	1	FORK	
2	52370152	1	LEVER	
11	56170447	1	TIP	
10	56174431	1	LEVER	
14	56370178	1	SCREW	
15	56374076	1	ROD	
5	56374430	1	PLATE	
1	56470299	1	SELECTOR FORK	
18	58070741	1	SPRING	
20	59072572	1	LEVER	
19	59074077	1	LEVER	
9	F0831047000	1	SPRING	
12	F0837534060	2	GRIP	
17	F0847434000	1	BALL	
8	F0847462000	1	BALL RB-11.112	

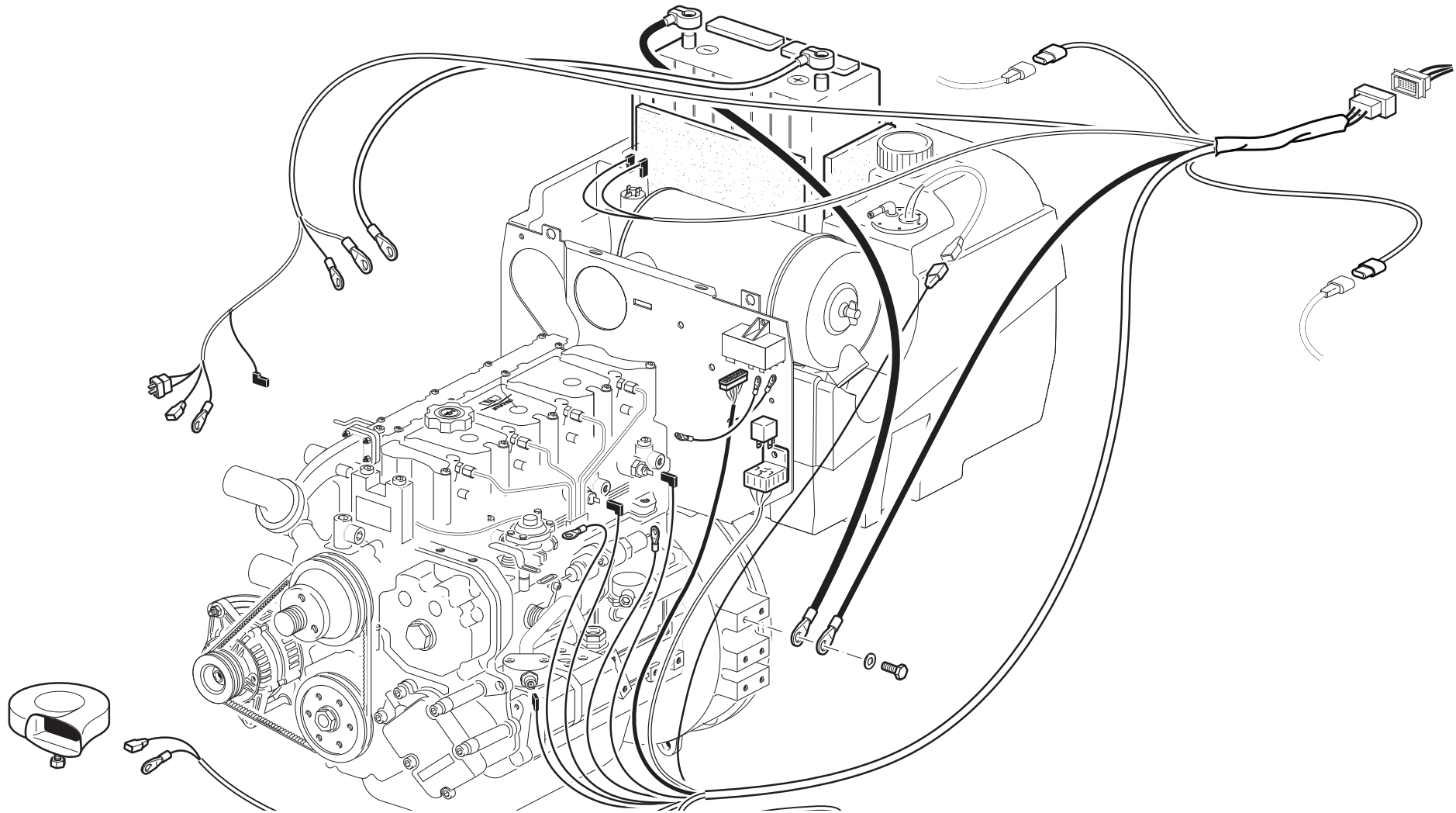


Pos.	Code	Q.ty	Description	Notes
8	31411130	2	WASHER 13x24	
6	55170047	2	BOOT	
7	56170043	2	COVER	
3	56370038	2	ROD	
4	56470231	2	PIN	
9	58070366	2	RETAINING SPRING	
1	58170045	2	BRAKE	
2	58170703	4	BRAKE DISC	
5	F0810510000	2	SPLIT PIN A2,0X20 UNI 1336	
10	F0814689020	4	NUT	

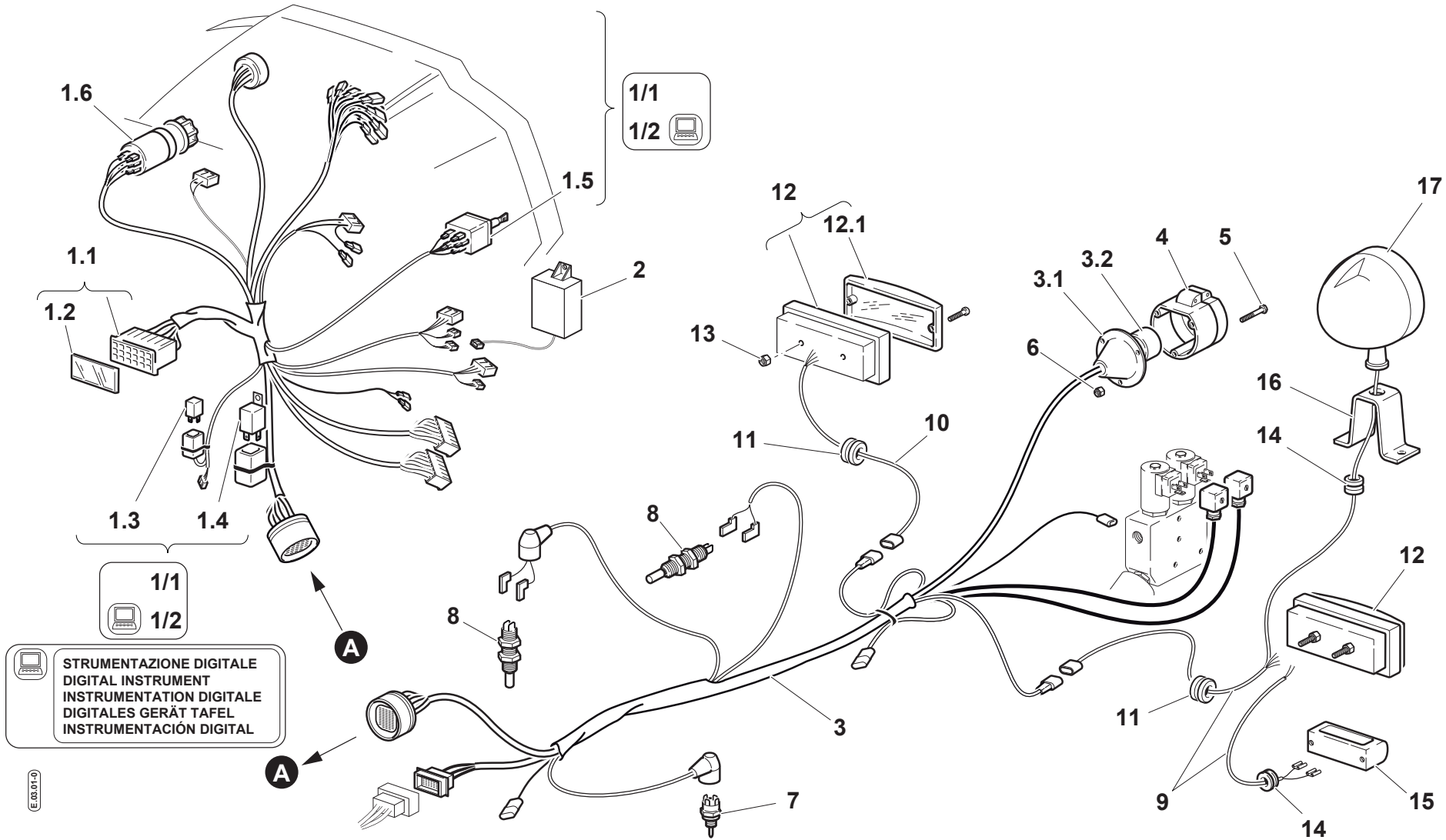
Pos.	Code	Q.ty	Description	Notes
25	31112147	2	SCREW TE M8X18 UNI 5739 8G	
20	31112151	1	SCREW TE M8X25 UNI 5739 8G	
19	31411105	1	WASHER 10,5x21	
13	31411130	2	WASHER 13x24	
22	31411150	2	WASHER 15x28	
7	34321066	1	KEY A10X8X30 UNI 6604	
10	52373177	2	NUT	
14	52375215	1	HANDBRAKE TIE-ROD	
3	56170367	1	SHIM	
8	56170795	1	RIGHT YOKE	
9	56170796	1	LEFT BRACKET	
17,1	56171936	1	SPACER	
15	56371721	1	SMALL BLOCK	
18	56470365	1	PIN	
11	56470797	2	PIN	
5	58070790	1	RESTORING SPRING	
17	58171215	1	HANDBRAKE LEVER	
6	59070333	1	SHAFT	
1	59073693	1	BRAKE PEDAL	
24	59074459	1	RETAINER	
23	F0801095000	1	SEEGER RING	
4	F0801241010	1	SEEGER RING	
12	F0810510000	3	SPLIT PIN A2,0X20 UNI 1336	
16	F0814627000	1	NUT M10	
2	F0822537050	1	BUFFER	
21	F0843643060	3	WASHER 8	



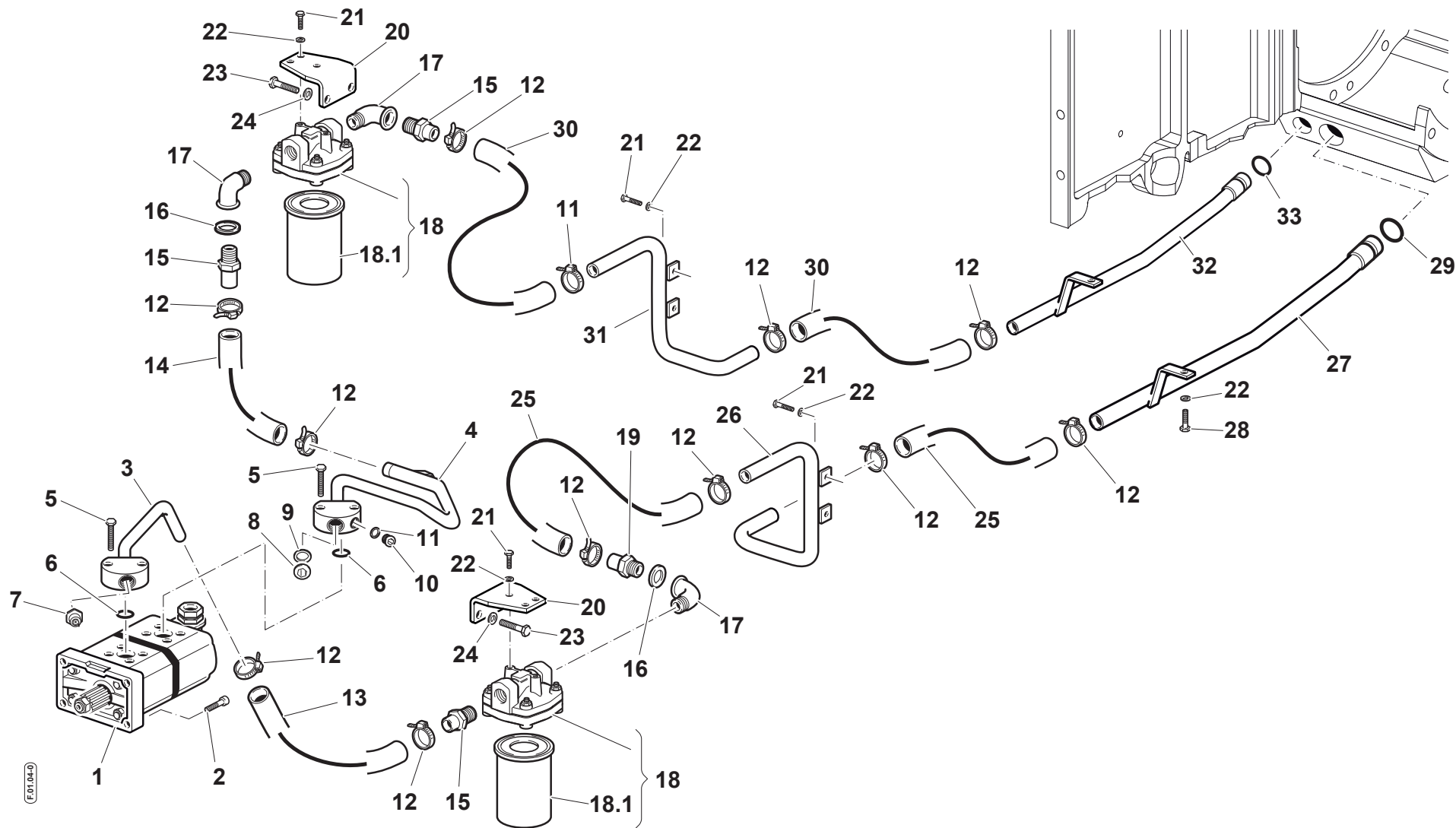
Pos.	Code	Q.ty	Description	Notes
4	58071307	1	CABLE	
5	58071308	1	CABLE	
1	58074904	1	CABLE	
2	F0825404050	2	HEADLIGHT	
6	F0825420500	2	LAMP	
6,1	F0825420560	2	GLASS	
3	F0861867050	6	SCREW M4,2X19 DIN 7981	



Pos.	Code	Q.ty	Description	Notes
5	31112210	1	SCREW TE M10X20 UNI 5739	
3	58071313	1	CABLE	
4	58072081	1	CABLE	
7	58074903	1	CABLE	
7,1	58170700	1	RELAY	
2	F0190018909	1	LINING	
8	F0825417000	1	HORN	
1	F0825480100	1	BATTERY	
6	F0843755000	1	WASHER 10	



Pos.	Code	Q.ty	Description	Notes
15	30000506	1	LAMP	
10	58071305	1	CABLE	
9	58072568	1	CABLE	
01-gen	58074901	1	CABLE	
3	58074905	1	CABLE	
01-feb	58075384	1	CABLE	
1,1	58170453	1	FUSE BOX	
3,2	58170571	1	ATTACHMENT PLUG	
3,1	58170572	1	CAP	
11	58170947	2	CABLE GLAND	
1,2	58172267	1	COVER	
2	58175700	1	SWITCHING CONTROL UNIT	
1,3	59900242	1	RELAY	
16	F0190035152	1	SUPPORT	
6	F0814525000	1	NUT	
13	F0814529080	4	SELFLOCK NUT	
7	F0825117000	1	SWITCH	
1,4	F0825139000	1	FLASHER	
14	F0825414000	2	CABLE GLAND 7-15-18,5-2,5	
12	F0825420600	2	LAMP	
12,1	F0825420660	2	GLASS	
1,5	F0825436000	1	SWITCH	
1,6	F0825436003	1	SWITCH	
4	F0825438000	1	SOCKET	
8	F0825488000	2	SWITCH	
17	F0825493000	1	HEADLIGHT	
5	F0861941000	1	SCREW	



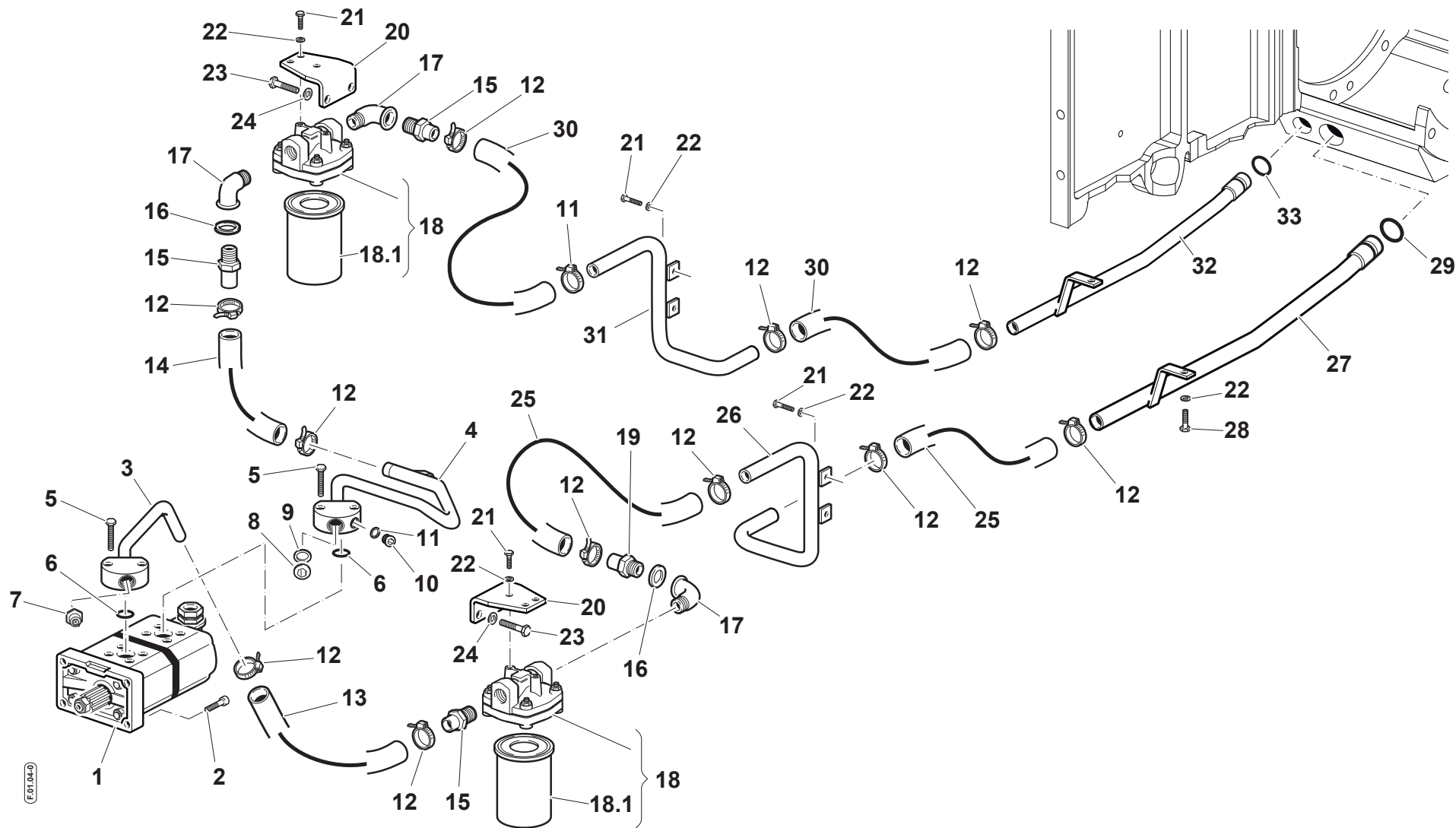
Pos.	Code	Q.ty	Description	Notes
8	30000777	1	PLUG 3/8 DIN 908	
21	31111151	8	SCREW TE M8X16 UNI 5739 8G	
15	31112090	1	SCREW TE M6X16 UNI 5739 8G	
28	31112150	1	SCREW TE M8X20 UNI 5739 8G	
5	31112155	4	SCREW	
2	31112210	1	SCREW TE M10X20 UNI 5739	
23	31112210	4	SCREW TE M10X20 UNI 5739	
3	31112219	5	SCREW TE M10X25 UNI 5739	
2	31152083	4	SCREW TCEI M8X30 UNI 5931	
17	31411064	1	WASHER 6,4x12,5	
9	31411090	4	WASHER 9x24	
6	38112200	2	O-RING	
33	38112507	1	O-RING	
10	55175174	4	BLOCK	
15	56170350	3	PIPE FITTING	
19	56170351	1	PIPE FITTING	
11	56171996	4	SPACER	
6	56174529	1	RETAINING PLATE	
20	56174725	2	OIL FILTER BRACKET	
30	57372345	1	SHIELD	
26	58074735	2	FLEXIBLE HOSE	
24	58074737	1	FLEXIBLE HOSE	
20	58074872	1	FLEXIBLE HOSE	
12	58074921	1	FLEXIBLE HOSE	
13	58170352	1	FLEXIBLE HOSE	
1	58171160	1	HYDROSTEERING	
29,2	58171737	1	GASKET SET	
25	58172806	2	FLEXIBLE HOSE	
14	58173505	1	FLEXIBLE HOSE	
30	58173506	2	FLEXIBLE HOSE	
29	58174305	2	CYLINDER	
1	58174774	1	LIFT PUMP	
18	58175014	2	FILTER	
7	58175122	1	DIGITAL INSTRUMENT	

SERIAL

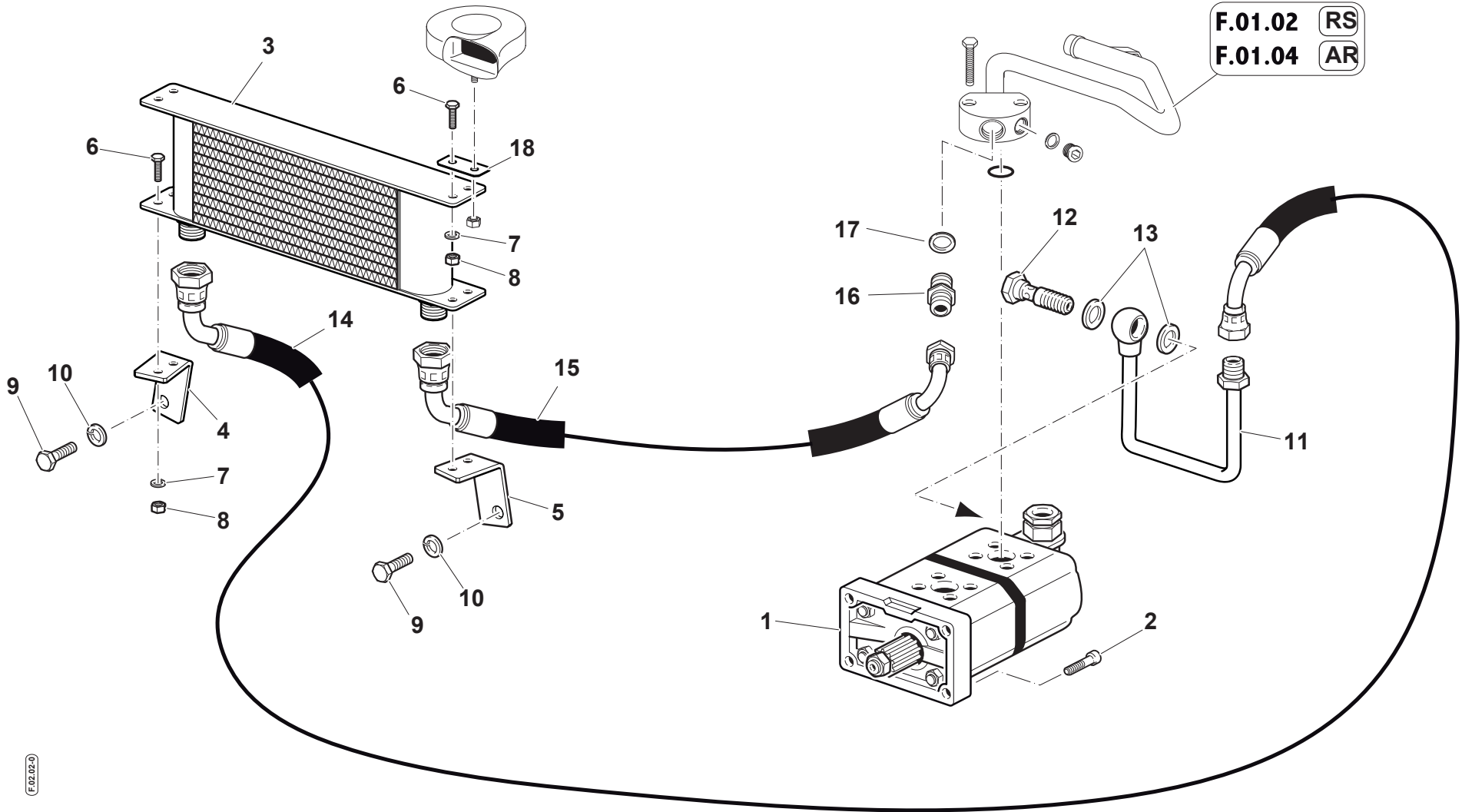
HYDR. SYSTEM DOUBLE OIL SUCTION

CODE REV

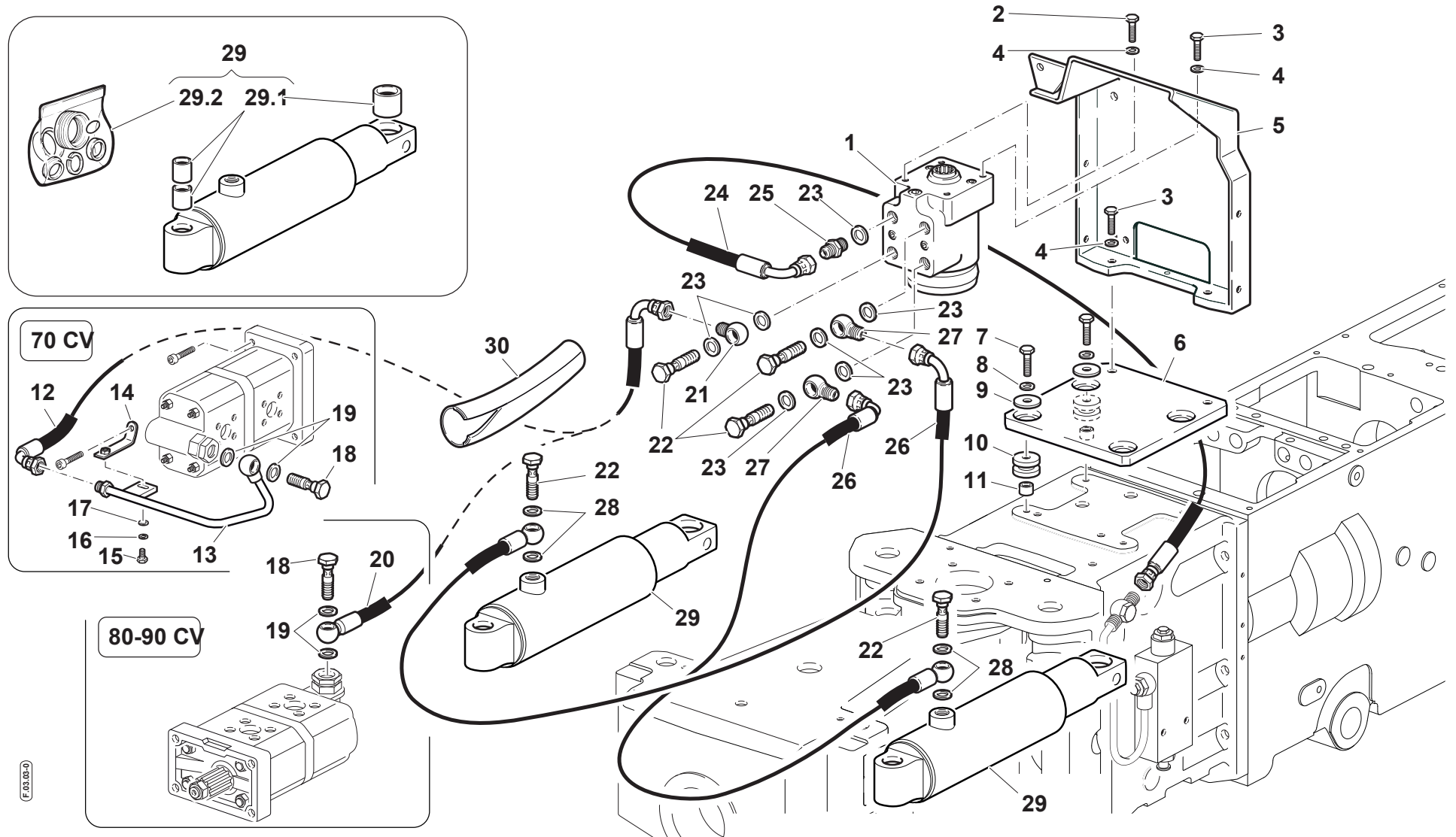
F.01.04.L50004_0



Pos.	Code	Q.ty	Description	Notes
5	59072974	1	SUPPORT	
4	59074745	1	SUCTION PIPE	
3	59074750	1	SUCTION PIPE	
32	59074755	1	PIPE	
31	59074756	1	SUCTION PIPE	
27	59074757	1	PIPE	
26	59074758	1	SUCTION PIPE	
13	59075224	1	PRESSURE PIPE	
14	59075225	1	FIXING BRACKET	
29,1	59900340	1	BUSHINGS KIT	
29	F0803208020	1	O-RING	
12	F0817523010	10	CLAMP	
9	F0824110000	1	COPPER WASHER 3/8 GAS	
19	F0824113000	2	COPPER WASHER 18X24/1,5	
23	F0824141000	7	COPPER WASHER 21x27/1,5	
16	F0824185000	2	COPPER WASHER 26X34X1,5	
18,1	F0825718020	2	FILTER INSERT	
25	F0835024010	1	NIPPLE	
27	F0835040030	2	PIPE FITTING	
17	F0840563000	3	PIPE FITTING	
21	F0842512000	1	PIPE FITTING	
18	F0843110010	1	THREADED TERMINAL END M18x1,5	
22	F0843116000	5	PIPE FITTING 1/2	
16	F0843570000	1	WASHER 6	
22	F0843643060	9	WASHER 8	
8	F0843643060	4	WASHER 8	
24	F0843755000	4	WASHER 10	
4	F0843755000	6	WASHER 10	
11	F0843907000	1	COPPER WASHER 13,66x19/1,5	
28	F0843948000	4	COPPER WASHER 14,0x20/1,5	
10	F0852538050	1	PLUG	
7	F0862694000	4	SCREW M8X170 UNI 5737	



Pos.	Code	Q.ty	Description	Notes
6	31112090	5	SCREW TE M6X16 UNI 5739 8G	
9	31112210	2	SCREW TE M10X20 UNI 5739	
2	31152083	4	SCREW TCEI M8X30 UNI 5931	
8	31212060	5	NUT	
12	56172547	1	THREADED TERMINAL END	
4	56174987	1	RIGHT YOKE	
5	56174988	1	LEFT BRACKET	
18	56175294	1	BRACKET	
14	58075228	1	PRESSURE PIPE	
15	58075229	1	FLEXIBLE HOSE	
1	58174775	1	LIFT PUMP	
3	58175222	1	OIL EXCHANGER	
11	59075063	1	PRESSURE PIPE	
17	F0824110000	1	COPPER WASHER 3/8 GAS	
13	F0824113000	2	COPPER WASHER 18X24/1,5	
16	F0835024010	1	NIPPLE	
7	F0843570000	5	WASHER 6	
10	F0843755000	2	WASHER 10	



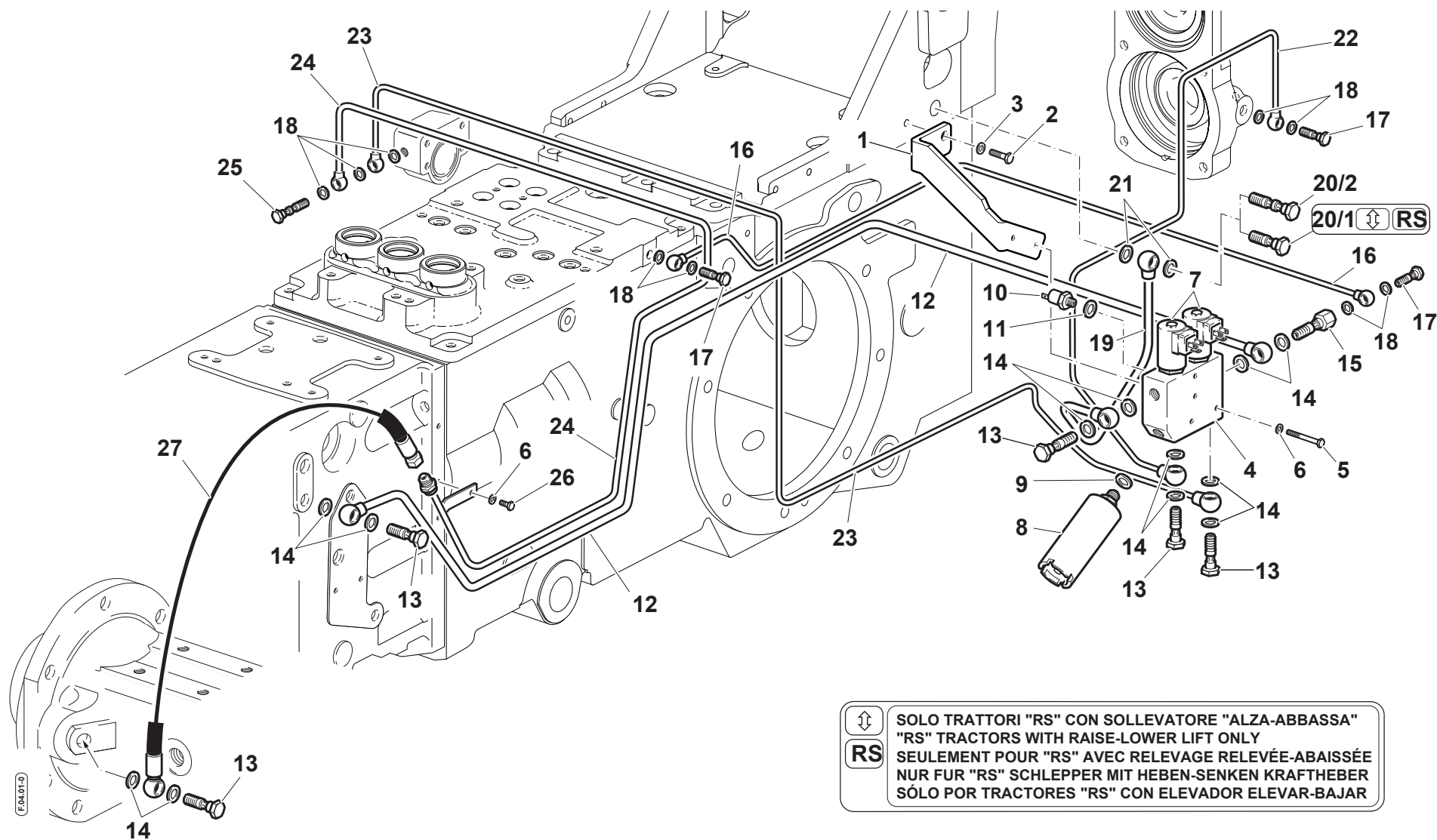
Pos.	Code	Q.ty	Description	Notes
15	31112090	1	SCREW TE M6X16 UNI 5739 8G	
2	31112210	1	SCREW TE M10X20 UNI 5739	
3	31112219	3	SCREW TE M10X25 UNI 5739	
17	31411064	1	WASHER 6,4x12,5	
9	31411090	1	WASHER 9x24	
10	55175174	1	BLOCK	
11	56171996	1	SPACER	
6	56174529	2	RETAINING PLATE	
30	57372345	2	SHIELD	
26	58074735	2	FLEXIBLE HOSE	
24	58074737	1	FLEXIBLE HOSE	
20	58074872	4	FLEXIBLE HOSE	
12	58074921	2	FLEXIBLE HOSE	
1	58171160	1	HYDROSTEERING	
29,2	58171737	1	GASKET SET	
29	58174305	1	CYLINDER	
5	59072974	1	SUPPORT	
13	59075224	6	PRESSURE PIPE	
14	59075225	8	FIXING BRACKET	
29,1	59900340	1	BUSHINGS KIT	
19	F0824113000	4	COPPER WASHER 18X24/1,5	
23	F0824141000	1	COPPER WASHER 21x27/1,5	
25	F0835037000	1	NIPPLE	
27	F0835040030	2	PIPE FITTING	
21	F0842512000	1	PIPE FITTING	
18	F0843110010	2	THREADED TERMINAL END M18x1,5	
22	F0843116000	1	PIPE FITTING 1/2	
16	F0843570000	1	WASHER 6	
8	F0843643060	4	WASHER 8	
4	F0843755000	6	WASHER 10	
28	F0843948000	2	COPPER WASHER 14,0x20/1,5	
7	F0862694000	2	SCREW M8X170 UNI 5737	

SERIAL

STEERING HYDR. SYSTEM

CODE REV

F.03.03.L50003_0

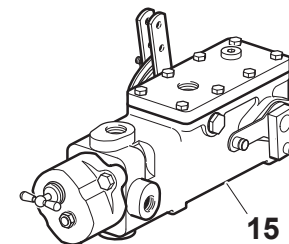
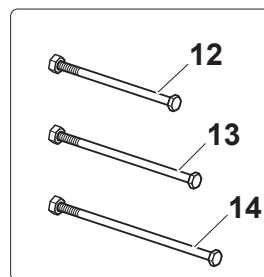
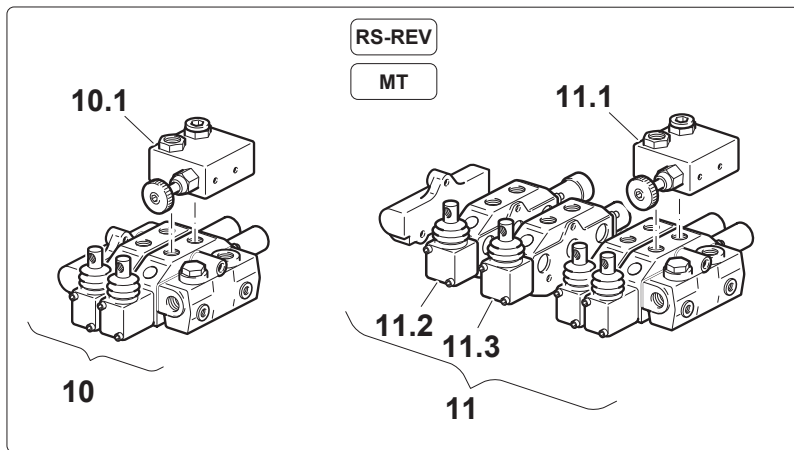
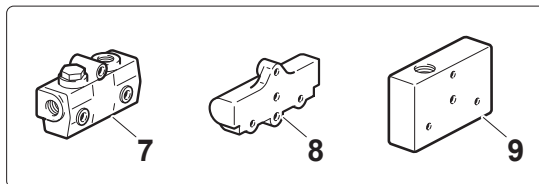
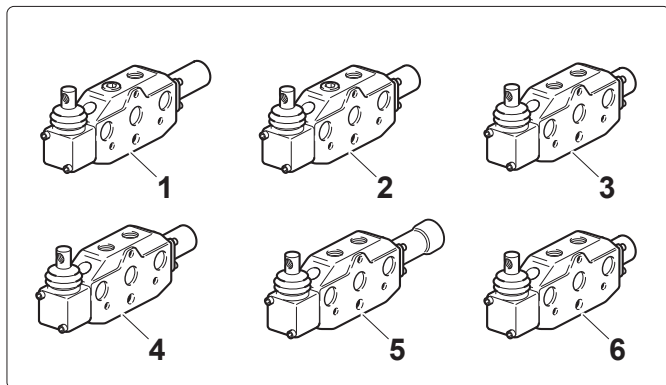


↕	SOLO TRATTORI "RS" CON SOLLEVATORE "ALZA-ABBASSA"
	"RS" TRACTORS WITH RAISE-LOWER LIFT ONLY
RS	SEULEMENT POUR "RS" AVEC RELEVAGE RELEVÉE-ABAISSÉE
	NUR FÜR "RS" SCHLEPPER MIT HEBEN-SENKEN KRAFTHEBER
	SÓLO POR TRACTORES "RS" CON ELEVADOR ELEVAR-BAJAR

Pos.	Code	Q.ty	Description	Notes
26	31111090	1	SCREW	
2	31112150	2	SCREW TE M8X20 UNI 5739 8G	
15	56172072	1	PIPE FITTING	
4	56172749	1	SMALL BLOCK	
1	56174665	1	SUPPORT	
27	58074736	1	FLEXIBLE HOSE	
7	58172463	2	ELECTRO VALVE	
20-feb	58172589	1	THREADED TERMINAL END	
10	58173399	1	PRESSURE SWITCH	
25	58174732	1	HOLLOW SCREW	
16	59074640	1	PIPE	
12	59074742	1	PRESSURE PIPE	
22	59074743	1	PRESSURE PIPE	
19	59074744	1	EXHAUST	
23	59074748	1	PRESSURE PIPE	
24	59074749	1	PRESSURE PIPE	
8	59271011	1	UNIT	
21	F0824110000	2	COPPER WASHER 3/8 GAS	
17	F0843102000	3	THREADED TERMINAL END	
20-gen	F0843109020	1	PIPE FITTING	
6	F0843570000	3	WASHER 6	
3	F0843643060	2	WASHER 8	
18	F0843771000	9	COPPER WASHER 10,0x16/1	
11	F0843841000	1	COPPER WASHER 12,0x18/1,5	
14	F0843907000	10	COPPER WASHER 13,66x19/1,5	
9	F0843948000	1	COPPER WASHER 14,0x20/1,5	
5	F0862345000	2	SCREW M6X40 UNI 5737	
13	P988438000001	5	HOLLOW SCREW 1/4	



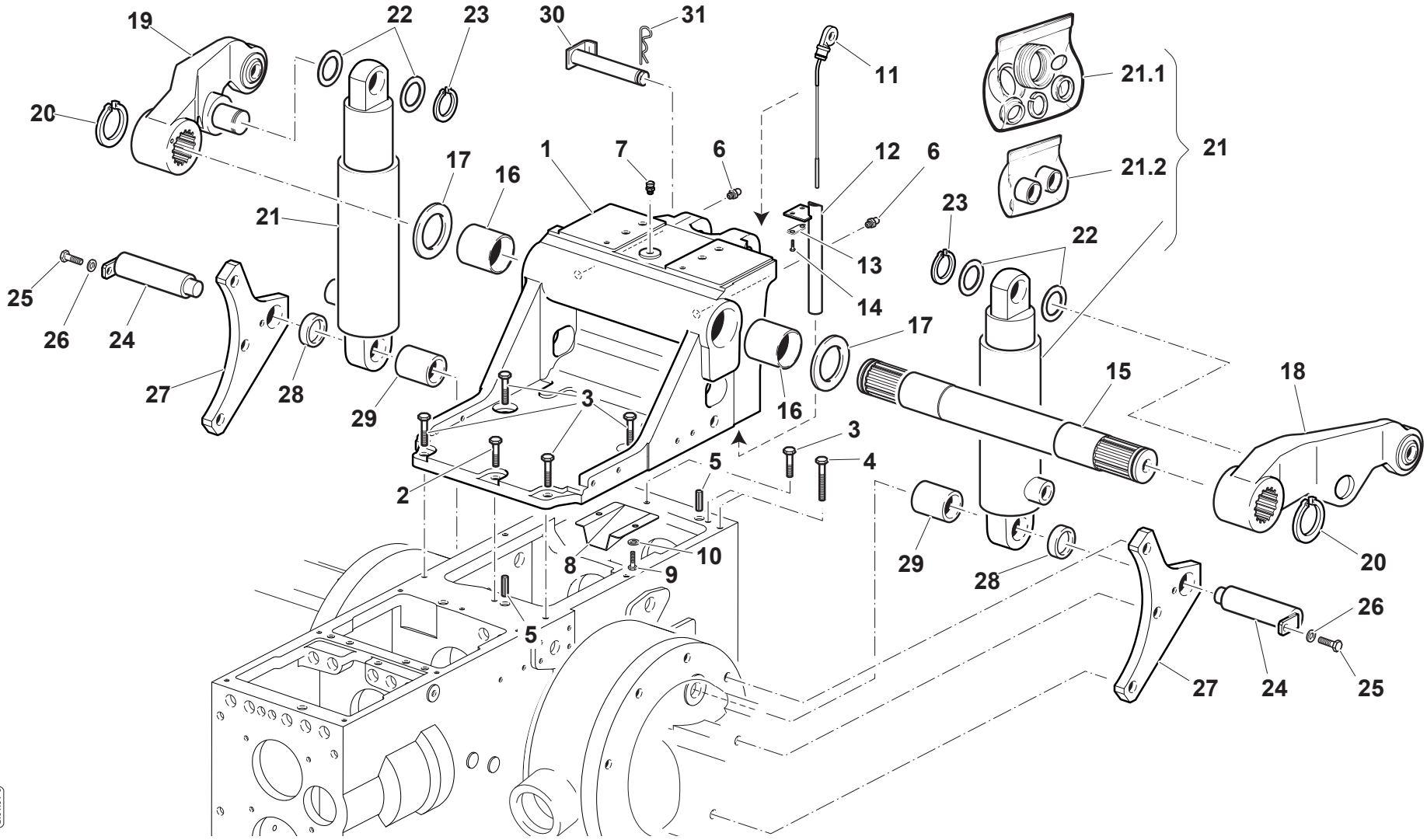
- VEDI TAVOLE GRUPPI...
- SEE TABLES OF GROUPS...
- VOIR TABLES GROUPE...
- SIEHE GRUPPETAFFEL...
- MIRAR TABLAS GRUPOS...



VEDI TAVOLE GRUPPO...
SEE TABLES OF GROUP...
VOIR TABLES GROUPE...
SIEHE GRUPPETAFFEL...
MIRAR TABLAS GRUPO...



Pos.	Code	Q.ty	Description	Notes
10	58171925	1	FLOATING DEVICE GROUP	
1	58172011	1	S.A. VALVE	
3	58172012	1	D.A. VALVE	
4	58172013	1	D.A. VALVE	
11,2	58172014	1	D.A. VALVE	
5	58172014	1	D.A. VALVE	
12	58172016	1	ROD	
13	58172017	1	ROD	
14	58172018	1	ROD	
11,3	58172240	1	D.A. VALVE	
6	58172240	1	D.A. VALVE	
7	58172304	1	HEAD	
8	58172489	1	COVER	
2	58172707	1	S.A. VALVE	
9	58173361	1	COVER	
11	58174974	1	FLOATING DEVICE GROUP	
15	58175191	1	DISTRIBUTOR	
10,1	59900230	1	VALVE	
11,1	59900230	1	VALVE	



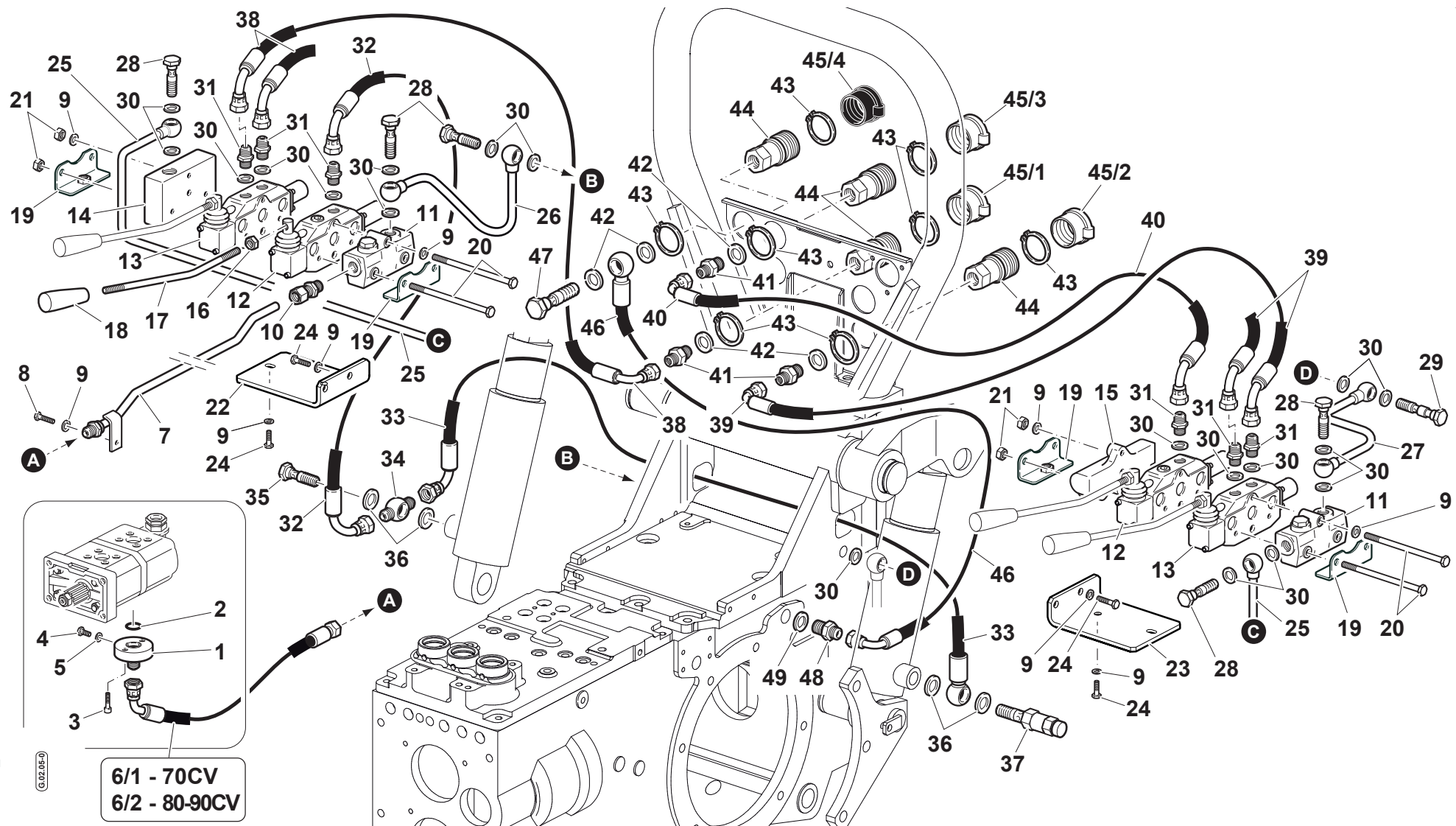
Pos.	Code	Q.ty	Description	Notes
14	31112082	2	SCREW TE M6X12 UNI 5739 8G	
9	31112149	2	SCREW TE M8X12 UNI 5739 8G	
25	31112150	2	SCREW TE M8X20 UNI 5739 8G	
3	31112211	5	SCREW TE M10X30 UNI 5739	
2	31112219	1	SCREW TE M10X25 UNI 5739	
1	51174315	1	SUPPORT	
13	52071702	1	CLAMPING PLATE	
27	56170283	2	BRACKET	
29	56170285	2	SPACER	
28	56170286	2	SPACER	
8	56173638	1	GUARD	
22	56370282	4	SHIM	
24	56370287	2	HINGE PIN	
17	56370288	2	SHIM	
5	56570016	2	CYLINDRICAL PLUG	
15	56570284	1	SHAFT	
7	58075603	1	PLUG	
21	58170245	2	LIFTING CYLINDER	
16	58170291	2	BUSHING	
21,2	58171536	1	BUSHINGS KIT	
21,1	58171537	1	GASKET SET	
11	58174581	1	OIL LEVEL ROD	
18	59070289	1	LIFTING ARM	
19	59070290	1	RIGHT ARM	
30	59073189	1	CONNECTING BOLT	
12	59074443	1	PIPE	
23	F0801241010	2	SEEGER RING	
20	F0801331050	2	SEEGER RING	
6	F0826056000	2	LUBRICATOR M10 UNI 7663A	
10	F0843643060	2	WASHER 8	
26	F0843643060	2	WASHER 8	
31	F0851486000	1	SPLIT PIN	
4	F0863429000	4	SCREW M10X45 UNI 5737	

SERIAL

RAISE/LOWER LIFT

CODE REV

L.01.01.L50017_0



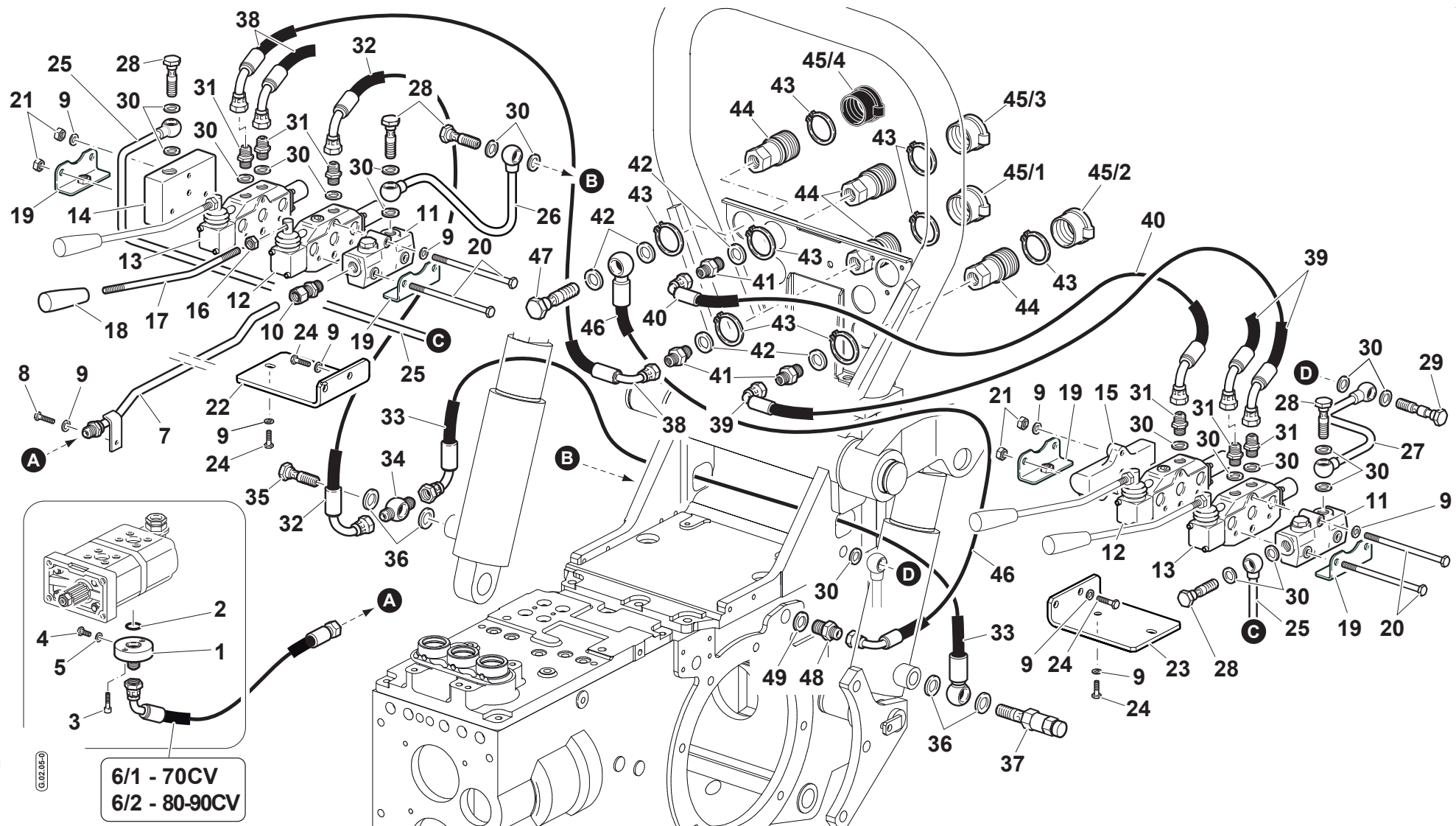
Pos.	Code	Q.ty	Description	Notes
8	31111151	1	SCREW TE M8X16 UNI 5739 8G	
24	31112150	8	SCREW TE M8X20 UNI 5739 8G	
3	31152057	2	SCREW	
21	31211080	6	NUT M8	
16	31211100	4	NUT M10	
17	56170964	4	COMMAND LEVER	
23	56174201	1	LEFT BRACKET	
22	56174227	1	RIGHT YOKE	
32	58070511	1	FLEXIBLE HOSE	
33	58070513	1	FLEXIBLE HOSE	
06-feb	58073147	1	FLEXIBLE HOSE	
39	58074958	2	FLEXIBLE HOSE	
38	58075080	2	FLEXIBLE HOSE	
46	58075082	1	FLEXIBLE HOSE	
40	58075226	1	FLEXIBLE HOSE	
06-gen	58075247	1	FLEXIBLE HOSE	
34	58170512	1	EYELET	
12	58172011	1	S.A. VALVE	
14	58172012	1	D.A. VALVE	
13	58172013	2	D.A. VALVE	
10	58172015	1	PIPE FITTING	
20	58172016	6	ROD	
37	58172120	1	VALVE	
11	58172304	2	HEAD	
15	58172489	1	COVER	
29	58172589	1	THREADED TERMINAL END	
48	58175083	1	NIPPLE	
19	59072057	4	FIXING BRACKET	
7	59074754	1	PRESSURE PIPE	
26	59074759	1	OIL PIPE	
25	59075037	1	PIPE	
27	59075039	1	EXHAUST	
43	F0801297000	12	RING	
2	F0803185000	1	O-RING	

SERIAL

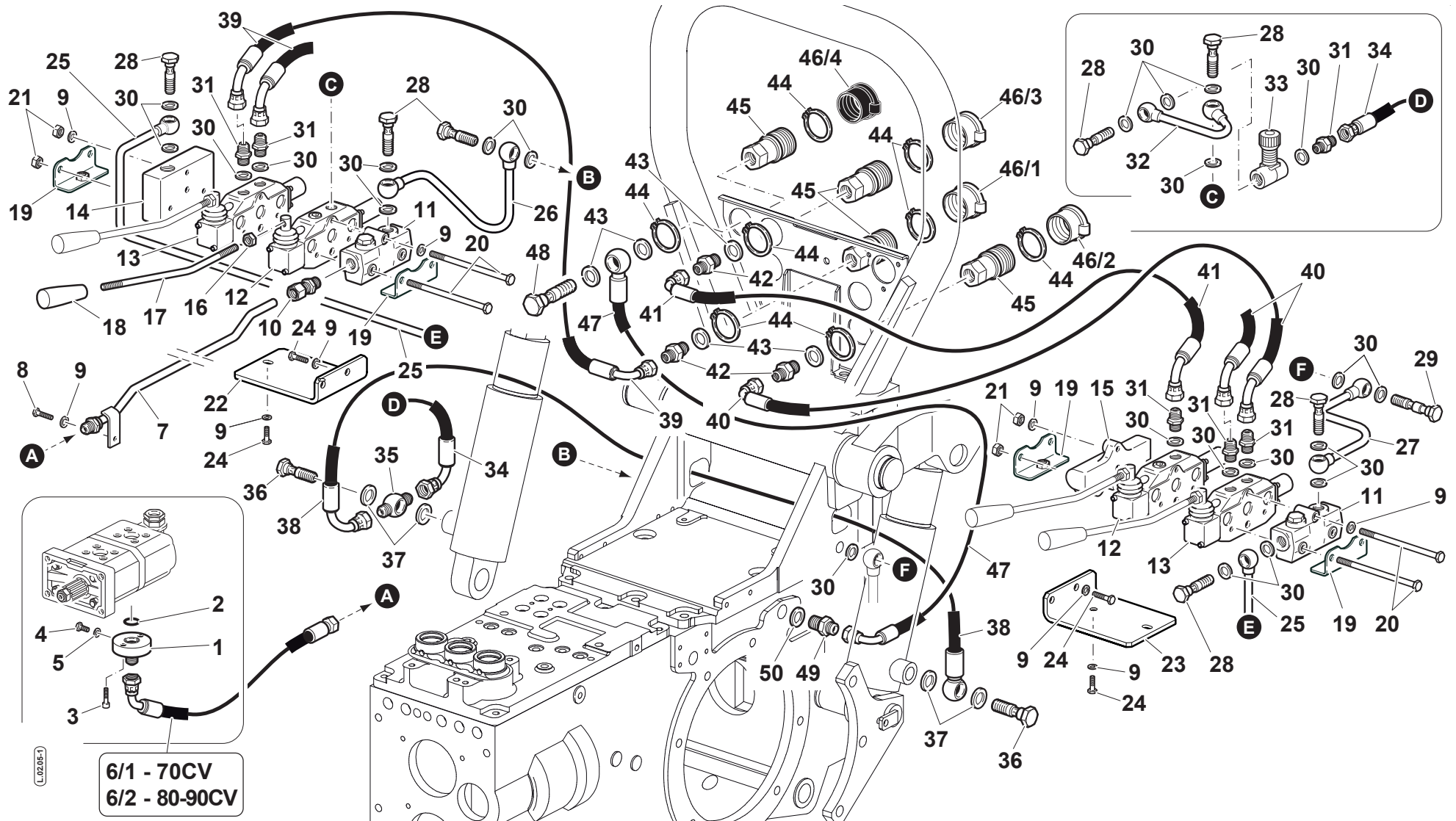
FREE DISCHARGE CONTROL VALVES VERSION

CODE REV

L.02.05.L50003_0



Pos.	Code	Q.ty	Description	Notes
5	F0824022000	1	SPECIAL GASKET D.8,4X12/1	
30	F0824110000	19	COPPER WASHER 3/8 GAS	
36	F0824113000	4	COPPER WASHER 18X24/1,5	
42	F0824141000	7	COPPER WASHER 21x27/1,5	
1	F0825809000	1	PRESSURE PIPE CONNECTOR	
44	F0825980030	6	COUPLING	
31	F0835024010	6	NIPPLE	
41	F0835037000	5	NIPPLE	
18	F0837534010	4	GRIP	
28	F0843109020	5	PIPE FITTING	
35	F0843110010	1	THREADED TERMINAL END M18x1,5	
47	F0843116000	1	PIPE FITTING 1/2	
9	F0843643060	13	WASHER 8	
49	F0844273090	1	GASKET 22X28X1,5 CU 99,5	
45/01	F0852550010	2	GUARD	
45/02	F0852550020	2	GUARD	
45/03	F0852550030	1	GUARD	
45/04	F0852550040	1	GUARD	
4	F0862462010	1	SCREW	



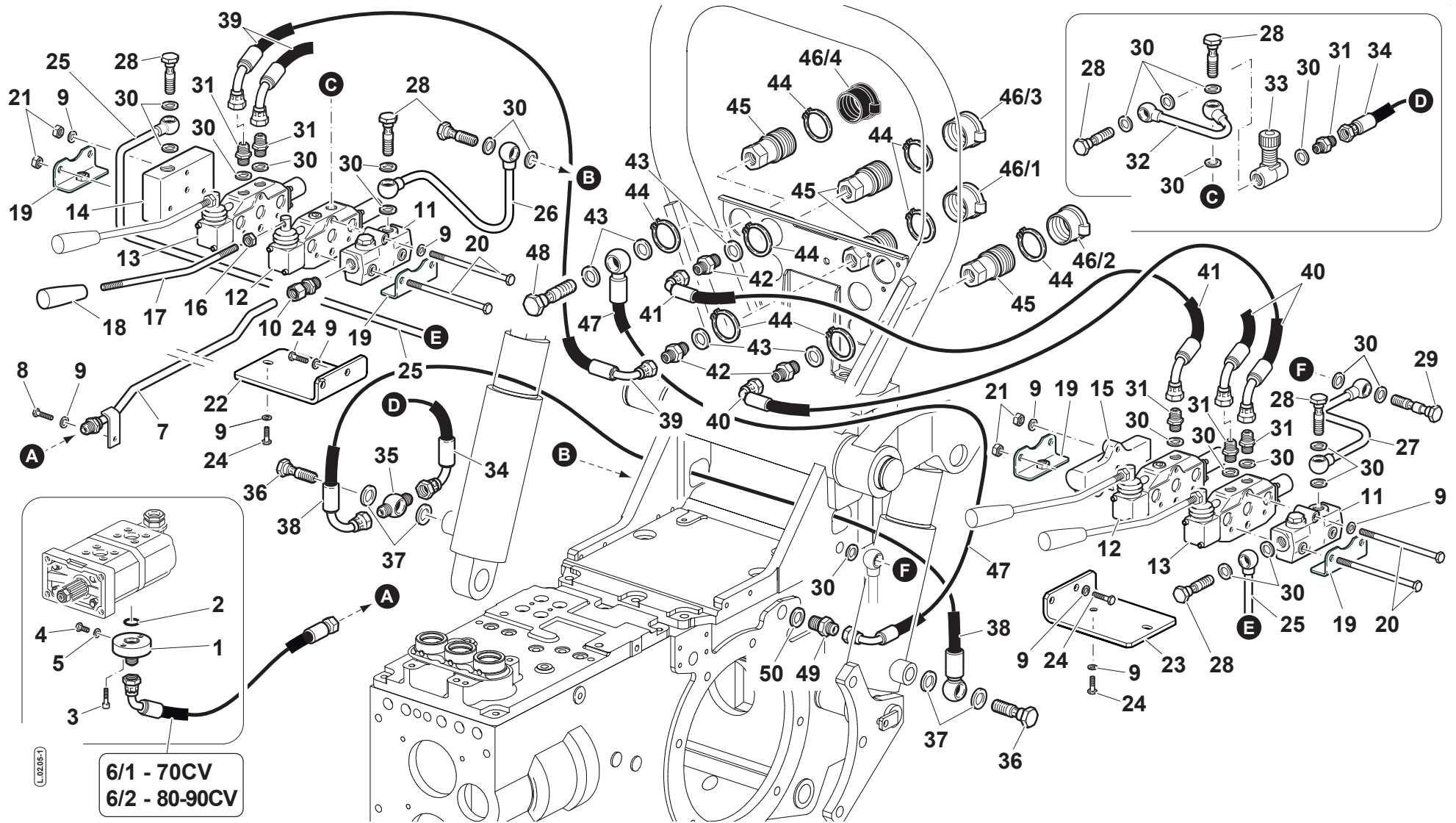
Pos.	Code	Q.ty	Description	Notes
8	31111151	1	SCREW TE M8X16 UNI 5739 8G	
24	31112150	8	SCREW TE M8X20 UNI 5739 8G	
3	31152057	2	SCREW	
21	31211080	6	NUT M8	
16	31211100	4	NUT M10	
17	56170964	4	COMMAND LEVER	
23	56174201	1	LEFT BRACKET	
22	56174227	1	RIGHT YOKE	
38	58070513	1	FLEXIBLE HOSE	
06-feb	58073147	1	FLEXIBLE HOSE	
40	58074958	2	FLEXIBLE HOSE	
39	58075080	2	FLEXIBLE HOSE	
47	58075082	1	FLEXIBLE HOSE	
41	58075226	1	FLEXIBLE HOSE	
06-gen	58075247	1	FLEXIBLE HOSE	
34	58075358	1	FLEXIBLE HOSE	
35	58170512	1	EYELET	
12	58172011	2	S.A. VALVE	
13	58172013	2	D.A. VALVE	
10	58172015	1	PIPE FITTING	
20	58172016	6	ROD	
11	58172304	2	HEAD	
15	58172489	1	COVER	
29	58172589	1	THREADED TERMINAL END	
14	58173361	1	COVER	
49	58175083	1	NIPPLE	
19	59072057	4	FIXING BRACKET	
7	59074754	1	PRESSURE PIPE	
26	59074759	1	OIL PIPE	
25	59075037	1	PIPE	
27	59075039	1	EXHAUST	
32	59075360	1	PRESSURE PIPE	
44	F0801297000	12	RING	
2	F0803185000	1	O-RING	

SERIAL

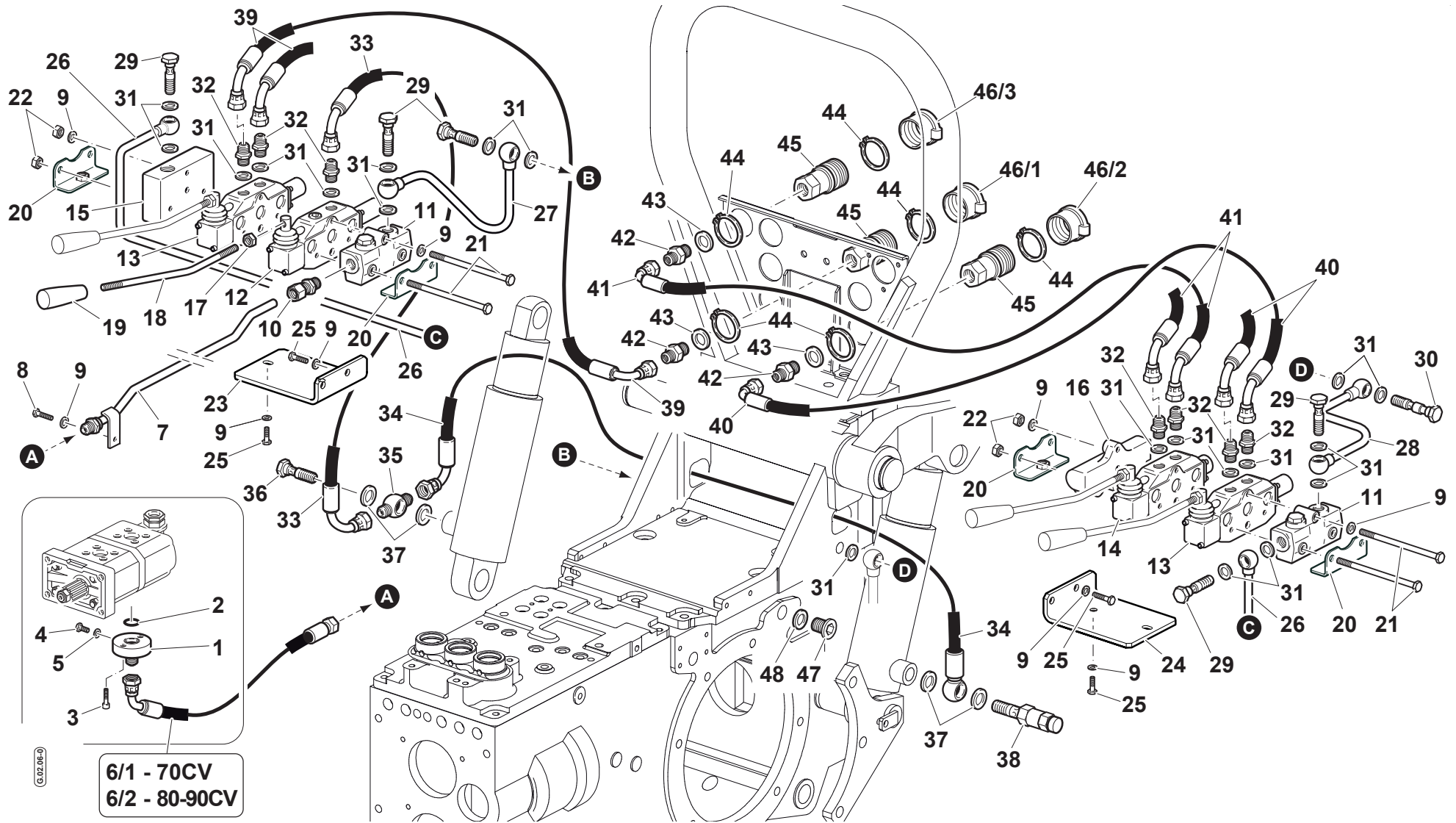
FREE DISCHARGE CONTROL VALVES VERSION

CODE REV

L.02.05.L50003_1



Pos.	Code	Q.ty	Description	Notes
5	F0824022000	1	SPECIAL GASKET D.8,4X12/1	
30	F0824110000	23	COPPER WASHER 3/8 GAS	
37	F0824113000	4	COPPER WASHER 18X24/1,5	
43	F0824141000	7	COPPER WASHER 21x27/1,5	
1	F0825809000	1	PRESSURE PIPE CONNECTOR	
45	F0825980030	6	COUPLING	
31	F0835024010	6	NIPPLE	
42	F0835037000	5	NIPPLE	
18	F0837534010	4	GRIP	
28	F0843109020	7	PIPE FITTING	
36	F0843110010	2	THREADED TERMINAL END M18x1,5	
48	F0843116000	1	PIPE FITTING 1/2	
9	F0843643060	13	WASHER 8	
50	F0844273090	1	GASKET 22X28X1,5 CU 99,5	
46/01	F0852550010	2	GUARD	
46/02	F0852550020	2	GUARD	
46/03	F0852550030	1	GUARD	
46/04	F0852550040	1	GUARD	
4	F0862462010	1	SCREW	
33	P241171000000	1	VALVE	



6/1 - 70CV
6/2 - 80-90CV

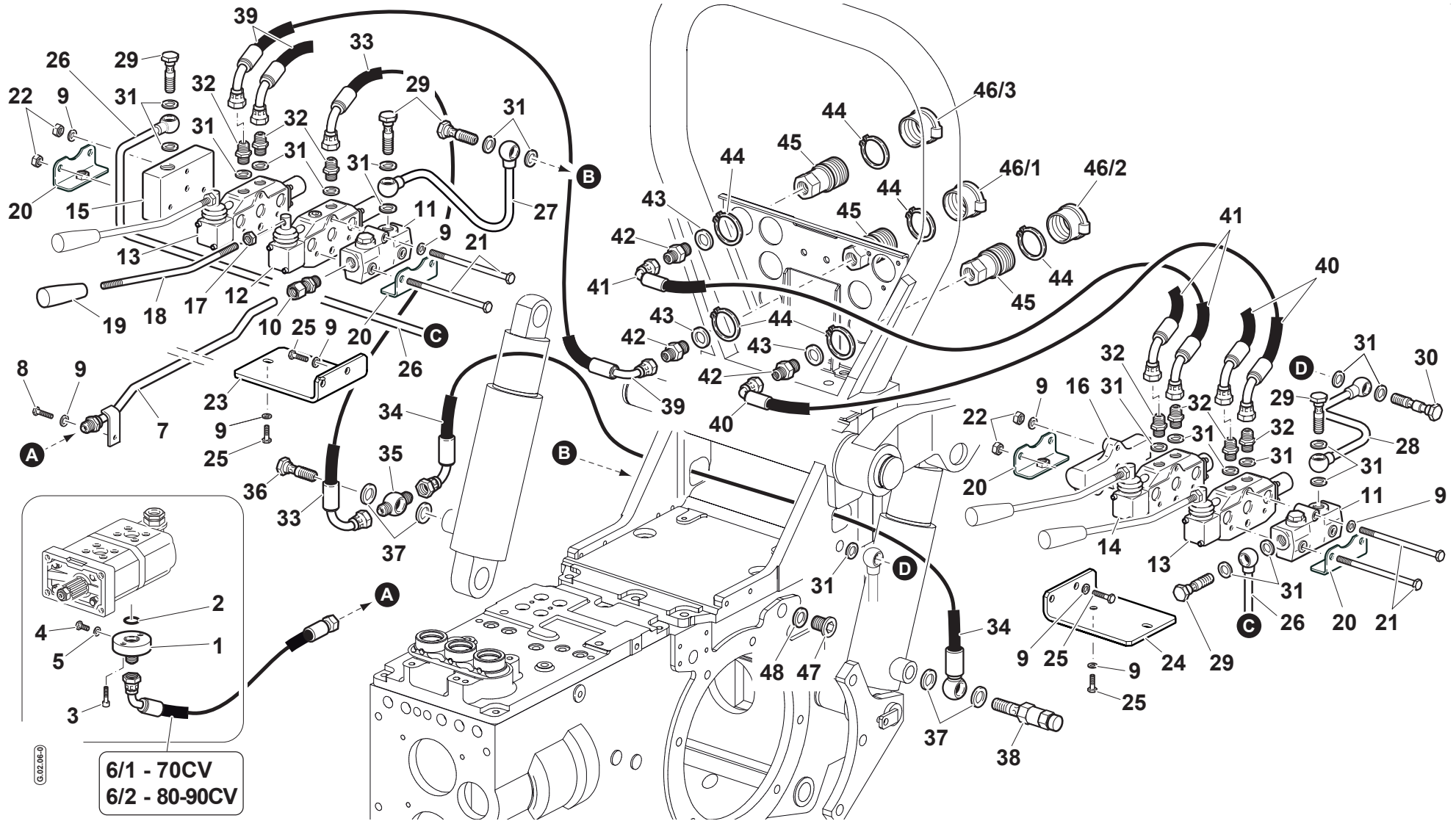
Pos.	Code	Q.ty	Description	Notes
8	31111151	1	SCREW TE M8X16 UNI 5739 8G	
25	31112150	8	SCREW TE M8X20 UNI 5739 8G	
3	31152057	2	SCREW	
22	31211080	4	NUT M8	
17	31211100	4	NUT M10	
18	56170964	4	COMMAND LEVER	
24	56174201	1	LEFT BRACKET	
23	56174227	1	RIGHT YOKE	
47	56370081	1	PLUG	
33	58070511	1	FLEXIBLE HOSE	
34	58070513	1	FLEXIBLE HOSE	
6,2	58073147	1	FLEXIBLE HOSE	
40	58074958	1	FLEXIBLE HOSE	
39	58075080	1	FLEXIBLE HOSE	
41	58075226	1	FLEXIBLE HOSE	
6,1	58075247	1	FLEXIBLE HOSE	
35	58170512	1	EYELET	
12	58172011	1	S.A. VALVE	
14	58172012	1	D.A. VALVE	
13	58172013	2	D.A. VALVE	
10	58172015	1	PIPE FITTING	
21	58172016	4	ROD	
38	58172120	1	VALVE	
11	58172304	2	HEAD	
16	58172489	1	COVER	
30	58172589	1	THREADED TERMINAL END	
15	58173361	1	COVER	
20	59072057	4	FIXING BRACKET	
7	59074754	1	PRESSURE PIPE	
27	59074759	1	OIL PIPE	
26	59075037	1	PIPE	
28	59075039	1	EXHAUST	
44	F0801297000	6	RING	
2	F0803185000	1	O-RING	

SERIAL

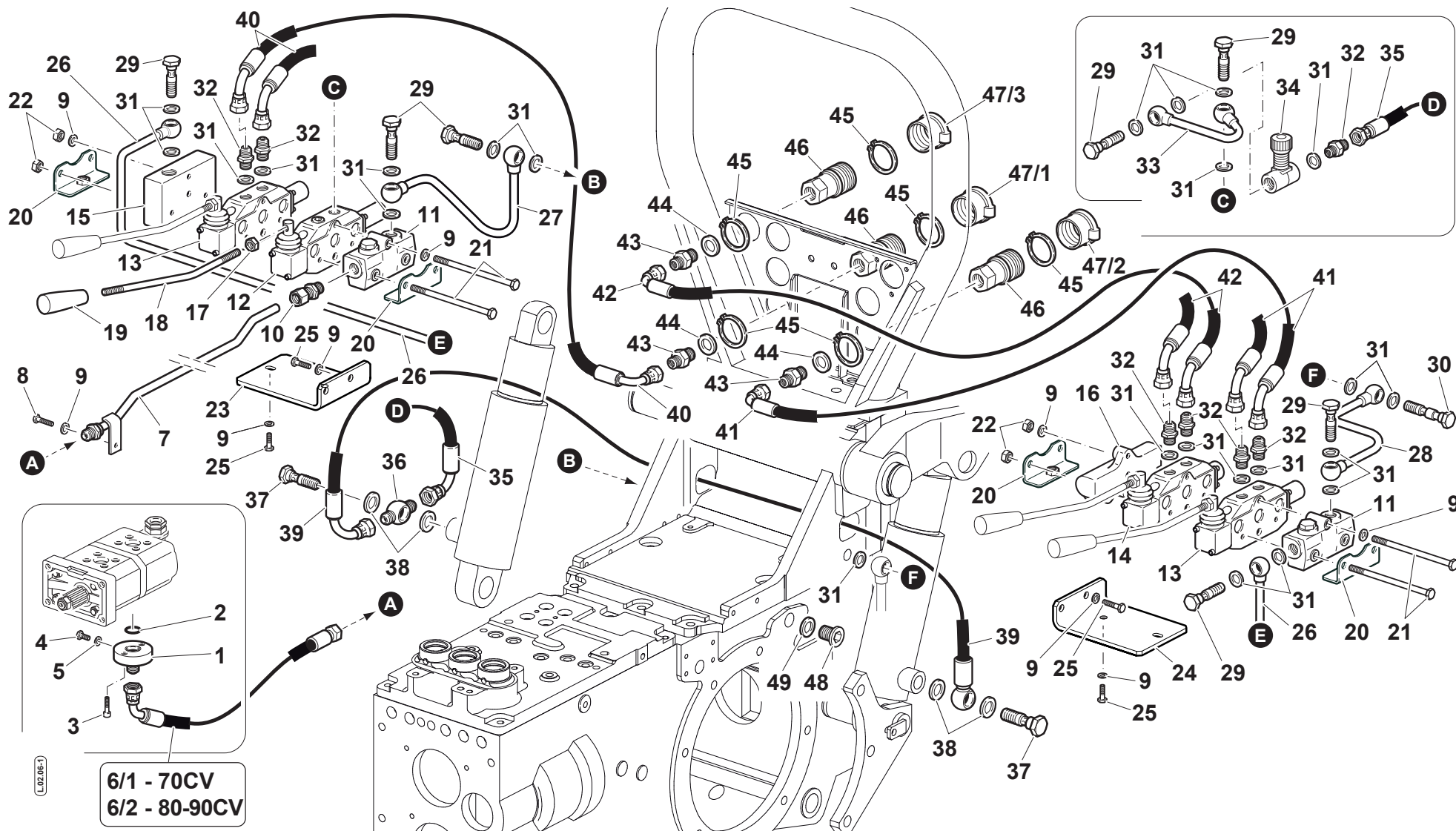
CONTROL VALVES WITHOUT FREE DISCHARGE VERSION

CODE REV

L.02.06.L50003_0



Pos.	Code	Q.ty	Description	Notes
5	F0824022000	1	SPECIAL GASKET D.8,4X12/1	
31	F0824110000	19	COPPER WASHER 3/8 GAS	
37	F0824113000	4	COPPER WASHER 18X24/1,5	
43	F0824141000	3	COPPER WASHER 21x27/1,5	
1	F0825809000	1	PRESSURE PIPE CONNECTOR	
45	F0825980030	3	COUPLING	
32	F0835024010	6	NIPPLE	
42	F0835037000	3	NIPPLE	
19	F0837534010	4	GRIP	
29	F0843109020	5	PIPE FITTING	
36	F0843110010	1	THREADED TERMINAL END M18x1,5	
9	F0843643060	13	WASHER 8	
48	F0844273090	1	GASKET 22X28X1,5 CU 99,5	
49	F0844273090	1	GASKET 22X28X1,5 CU 99,5	
46,1	F0852550010	1	GUARD	
46,2	F0852550020	1	GUARD	
46,3	F0852550030	1	GUARD	
4	F0862462010	1	SCREW	



L.02.06.L50003_1.ai

L.02.06.L

6/1 - 70CV
6/2 - 80-90CV

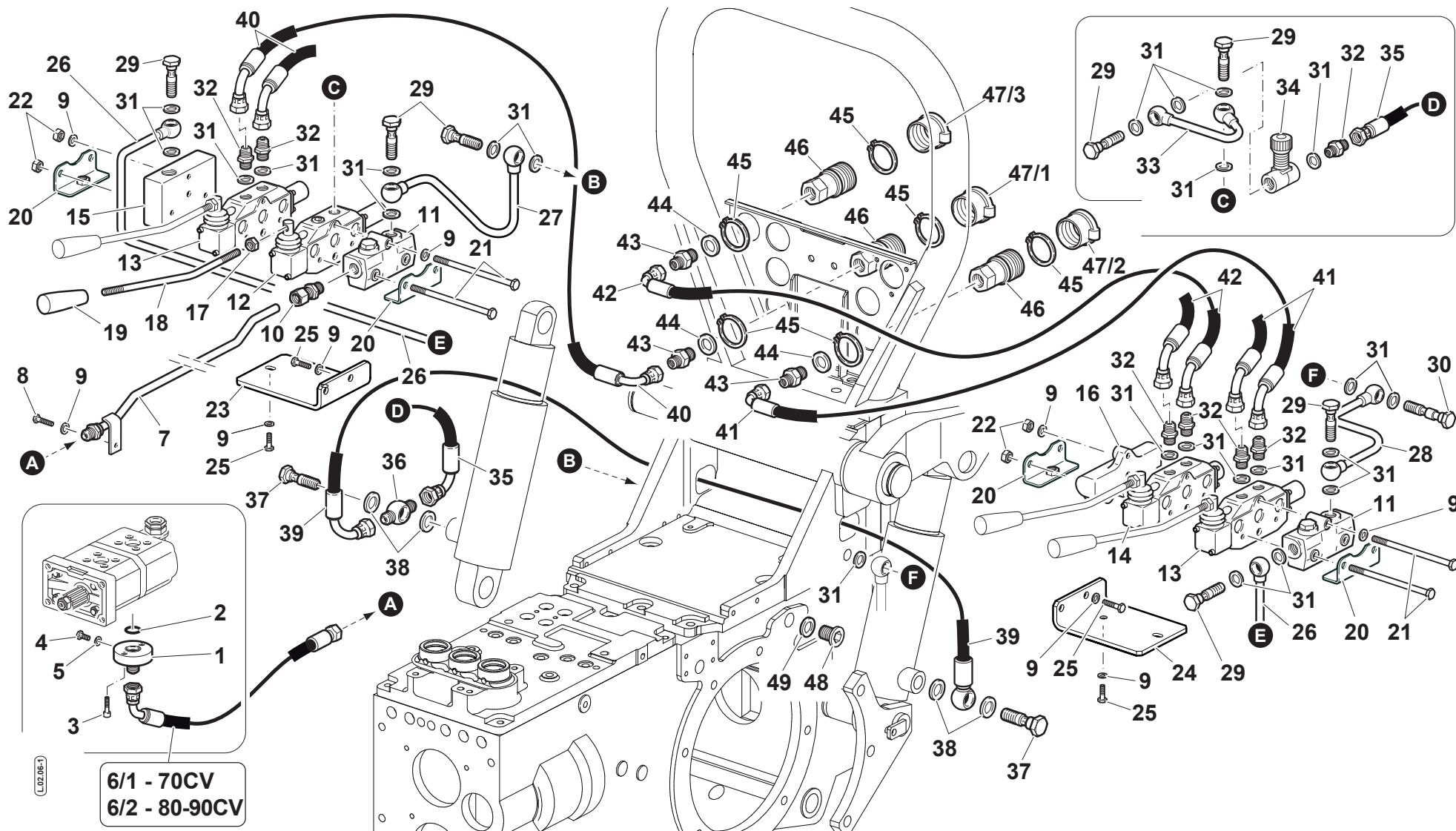
Pos.	Code	Q.ty	Description	Notes
8	31111151	1	SCREW TE M8X16 UNI 5739 8G	
25	31112150	8	SCREW TE M8X20 UNI 5739 8G	
3	31152057	2	SCREW	
22	31211080	4	NUT M8	
17	31211100	4	NUT M10	
18	56170964	4	COMMAND LEVER	
24	56174201	1	LEFT BRACKET	
23	56174227	1	RIGHT YOKE	
48	56370081	1	PLUG	
39	58070513	1	FLEXIBLE HOSE	
6,2	58073147	1	FLEXIBLE HOSE	
41	58074958	1	FLEXIBLE HOSE	
40	58075080	1	FLEXIBLE HOSE	
42	58075226	1	FLEXIBLE HOSE	
6,1	58075247	1	FLEXIBLE HOSE	
35	58075358	1	FLEXIBLE HOSE	
36	58170512	1	EYELET	
12	58172011	1	S.A. VALVE	
14	58172012	1	D.A. VALVE	
13	58172013	2	D.A. VALVE	
10	58172015	1	PIPE FITTING	
21	58172016	4	ROD	
11	58172304	2	HEAD	
16	58172489	1	COVER	
30	58172589	1	THREADED TERMINAL END	
15	58173361	1	COVER	
20	59072057	4	FIXING BRACKET	
7	59074754	1	PRESSURE PIPE	
27	59074759	1	OIL PIPE	
26	59075037	1	PIPE	
28	59075039	1	EXHAUST	
33	59075360	1	PRESSURE PIPE	
45	F0801297000	6	RING	
2	F0803185000	1	O-RING	

SERIAL

CONTROL VALVES WITHOUT FREE DISCHARGE VERSION

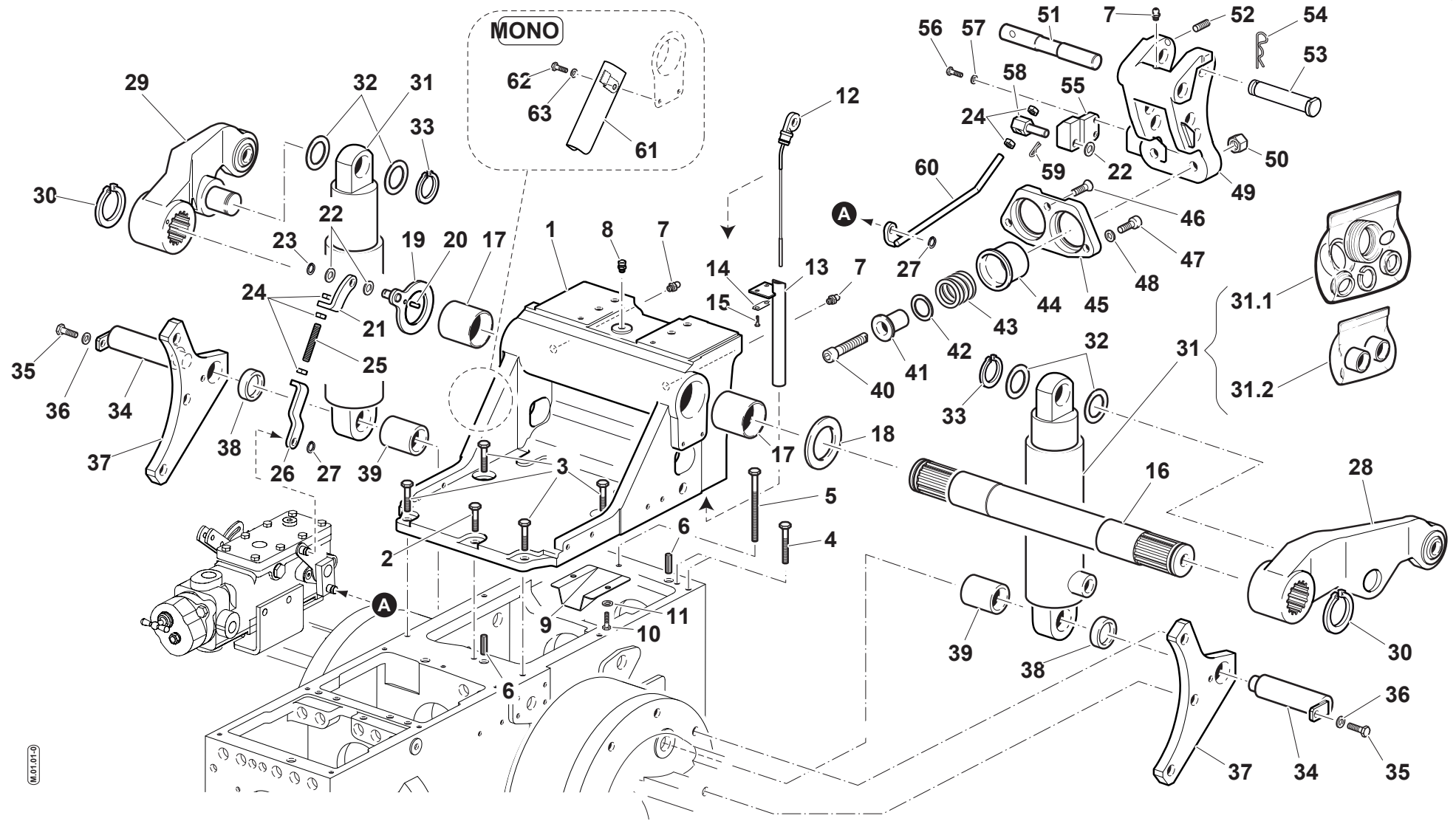
CODE REV

L.02.06.L50003_1



6/1 - 70CV
6/2 - 80-90CV

Pos.	Code	Q.ty	Description	Notes
5	F0824022000	1	SPECIAL GASKET D.8,4X12/1	
31	F0824110000	19	COPPER WASHER 3/8 GAS	
38	F0824113000	1	COPPER WASHER 18X24/1,5	
44	F0824141000	3	COPPER WASHER 21x27/1,5	
1	F0825809000	1	PRESSURE PIPE CONNECTOR	
46	F0825980030	3	COUPLING	
32	F0835024010	6	NIPPLE	
43	F0835037000	3	NIPPLE	
19	F0837534010	4	GRIP	
29	F0843109020	5	PIPE FITTING	
37	F0843110010	4	THREADED TERMINAL END M18x1,5	
9	F0843643060	13	WASHER 8	
49	F0844273090	1	GASKET 22X28X1,5 CU 99,5	
47,1	F0852550010	1	GUARD	
47,2	F0852550020	1	GUARD	
47,3	F0852550030	1	GUARD	
4	F0862462010	1	SCREW	
34	P241171000000	1	VALVE	



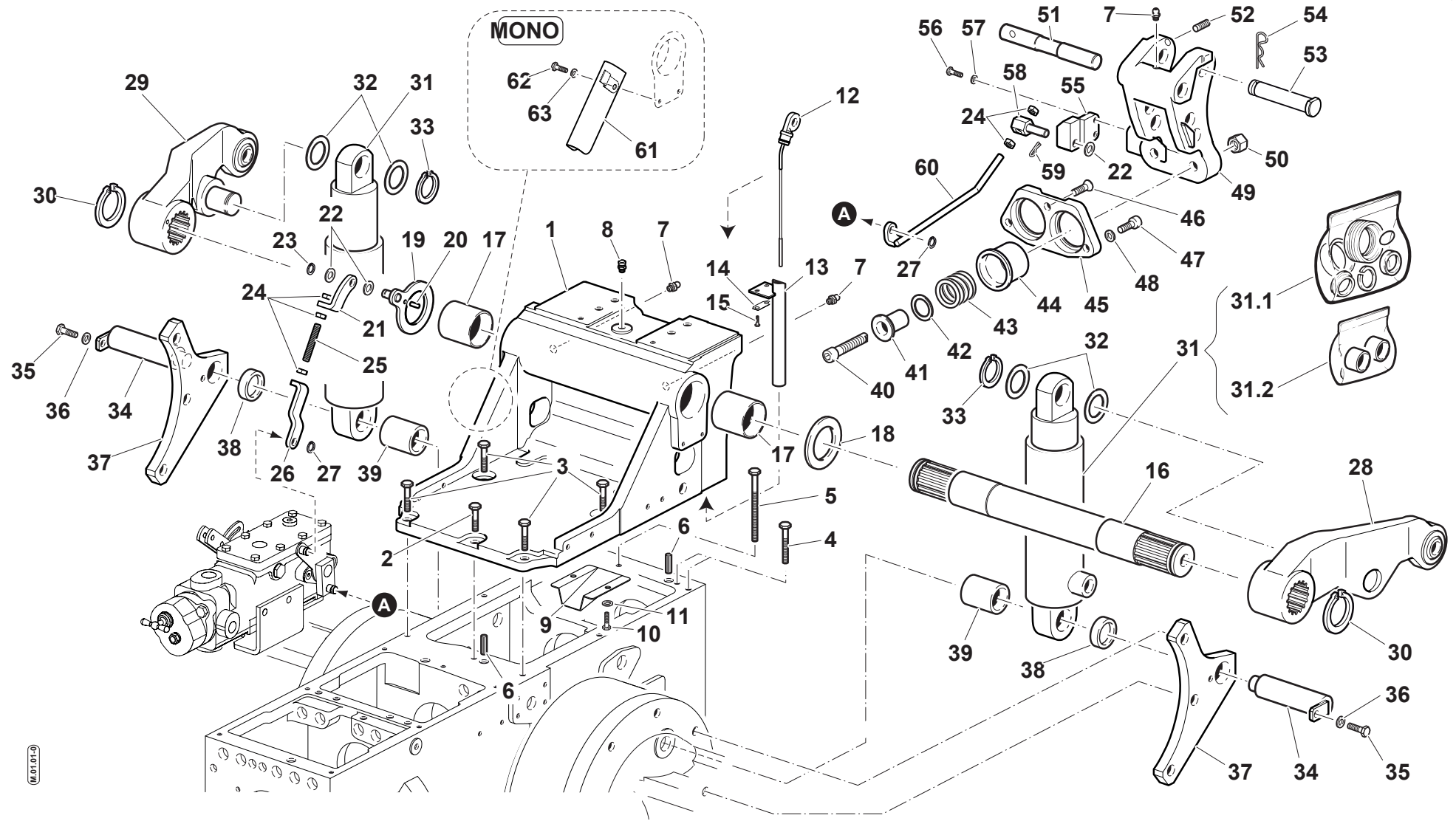
Pos.	Code	Q.ty	Description	Notes
62	31111091	1	SCREW E M6X14 UNI 5739 8G	
15	31112082	2	SCREW TE M6X12 UNI 5739 8G	
56	31112093	2	SCREW TE M6X20	
10	31112149	2	SCREW TE M8X12 UNI 5739 8G	
35	31112150	2	SCREW TE M8X20 UNI 5739 8G	
3	31112211	4	SCREW TE M10X30 UNI 5739	
5	31112217	1	SCREW TE M10X80 UNI 5737	
2	31112219	1	SCREW TE M10X25 UNI 5739	
47	31152097	2	SCREW TCEI M10X30 UNI 5931	
50	31241121	2	SELFLOCK NUT M12	
22	31411104	3	WASHER 10,5x18	
59	34110030	1	SPLIT PIN	
27	35211070	2	SEEGER RING	
40	50973415	2	SCREW	
49	51173371	1	THREE-POINT LINKAGE	
1	51174047	1	SUPPORT	
14	52071702	1	CLAMPING PLATE	
44	56073413	2	SLEEVE	
41	56073414	2	GUIDE	
45	56073416	1	FLANGE	
58	56075143	1	HINGE PIN	
26	56075145	1	BRACKET	
37	56170283	2	BRACKET	
39	56170285	2	SPACER	
38	56170286	2	SPACER	
9	56173638	1	GUARD	
32	56370282	4	SHIM	
34	56370287	2	HINGE PIN	
18	56370288	1	SHIM	
42	56373426	1	SHIM	
42	56373427	1	SHIM	
42	56373428	1	SHIM	
53	56373436	1	PIN	
51	56374574	1	CONNECTING BOLT	

SERIAL

POSITION AND DRAFT CONTROL LIFT

CODE REV

M.01.01.L50017_0



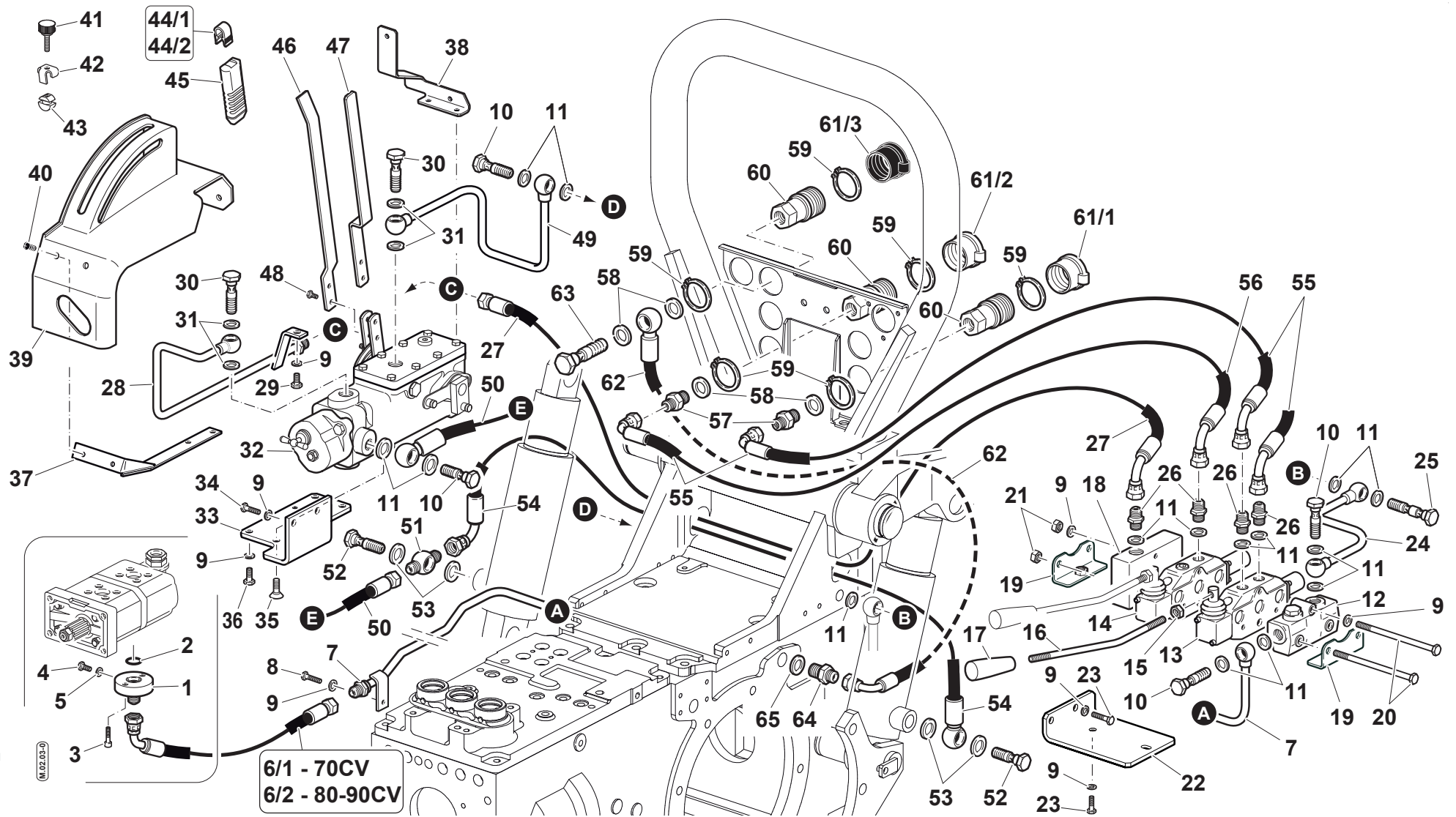
Pos.	Code	Q.ty	Description	Notes
25	56375146	1	GRAIN	
21	56375147	1	BRACKET	
6	56570016	2	CYLINDRICAL PLUG	
16	56570284	1	SHAFT	
20	56570506	1	PIN	
42	58025869	1	SHIM	
43	58073411	2	SPRING	
8	58075603	1	PLUG	
31	58170245	2	LIFTING CYLINDER	
17	58170291	2	BUSHING	
31,2	58171536	1	BUSHINGS KIT	
31,1	58171537	1	GASKET SET	
12	58174581	1	OIL LEVEL ROD	
28	59070289	1	LIFTING ARM	
29	59070290	1	RIGHT ARM	
13	59074443	1	PIPE	
60	59075137	1	ROD	
55	59075140	1	SMALL BLOCK	
19	59075148	1	SHIM	
61	59075178	1	CABLE BARRIER RAIL	
23	F0801050000	1	SEEGER RING	
33	F0801241010	2	SEEGER RING	
30	F0801331050	2	SEEGER RING	
24	F0814569000	5	NUT	
7	F0826056000	3	LUBRICATOR M10 UNI 7663A	
57	F0843570000	2	WASHER 6	
63	F0843570000	1	WASHER 6	
11	F0843643060	2	WASHER 8	
36	F0843643060	2	WASHER 8	
48	F0843755000	2	WASHER 10	
54	F0851486000	1	SPLIT PIN	
52	F0862593050	1	SCREW M8X20 UNI 5927	
46	F0863208050	1	SCREW M10X20 UNI 5933	
4	F0863429000	4	SCREW M10X45 UNI 5737	

SERIAL

POSITION AND DRAFT CONTROL LIFT

CODE REV

M.01.01.L50017_0



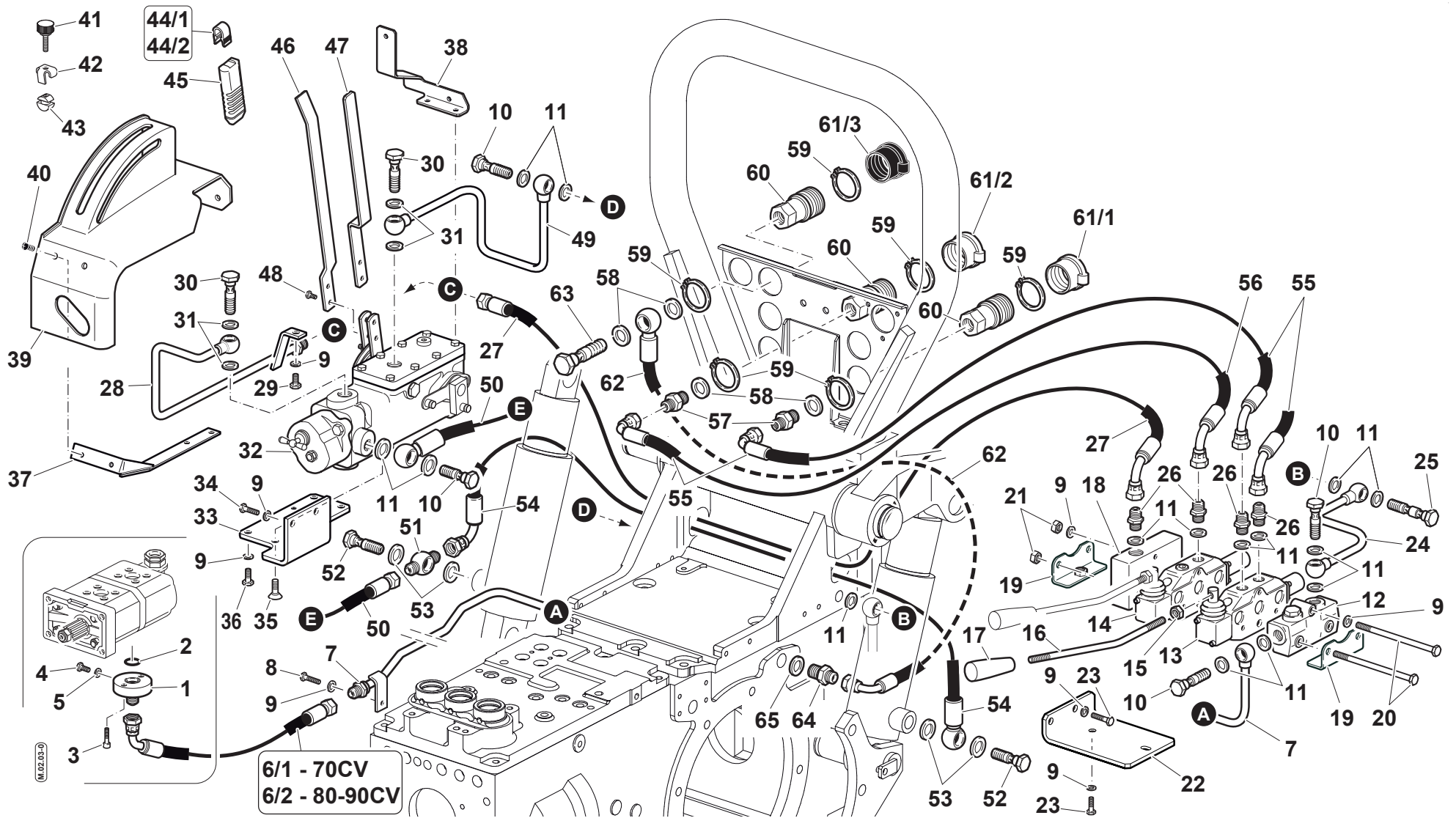
Pos.	Code	Q.ty	Description	Notes
48	31111090	4	SCREW	
36	31111151	3	SCREW TE M8X16 UNI 5739 8G	
8	31111151	1	SCREW TE M8X16 UNI 5739 8G	
29	31112149	1	SCREW TE M8X12 UNI 5739 8G	
23	31112150	4	SCREW TE M8X20 UNI 5739 8G	
34	31112150	2	SCREW TE M8X20 UNI 5739 8G	
3	31152057	2	SCREW	
21	31211080	3	NUT M8	
15	31211100	2	NUT M10	
33	56075161	1	FIXING BRACKET	
46	56075185	1	COMMAND LEVER	
47	56075186	1	COMMAND LEVER	
42	56075197	1	CLIP	
43	56075198	1	SMALL BLOCK	
38	56075252	1	FIXING BRACKET	
16	56170964	2	COMMAND LEVER	
22	56174201	1	LEFT BRACKET	
39	57375195	1	COVER	
54	58070513	1	FLEXIBLE HOSE	
06-feb	58073147	1	FLEXIBLE HOSE	
55	58074958	2	FLEXIBLE HOSE	
62	58075082	1	FLEXIBLE HOSE	
27	58075159	1	FLEXIBLE HOSE	
50	58075160	1	FLEXIBLE HOSE	
56	58075226	1	FLEXIBLE HOSE	
06-gen	58075247	1	FLEXIBLE HOSE	
51	58170512	1	EYELET	
14	58172011	1	S.A. VALVE	
13	58172013	1	D.A. VALVE	
20	58172016	3	ROD	
12	58172304	1	HEAD	
25	58172589	1	THREADED TERMINAL END	
18	58173361	1	COVER	
64	58175083	1	NIPPLE	

SERIAL

FREE DISCHARGE CONTROL VALVES VERSION

CODE REV

M.02.03.L50003_0



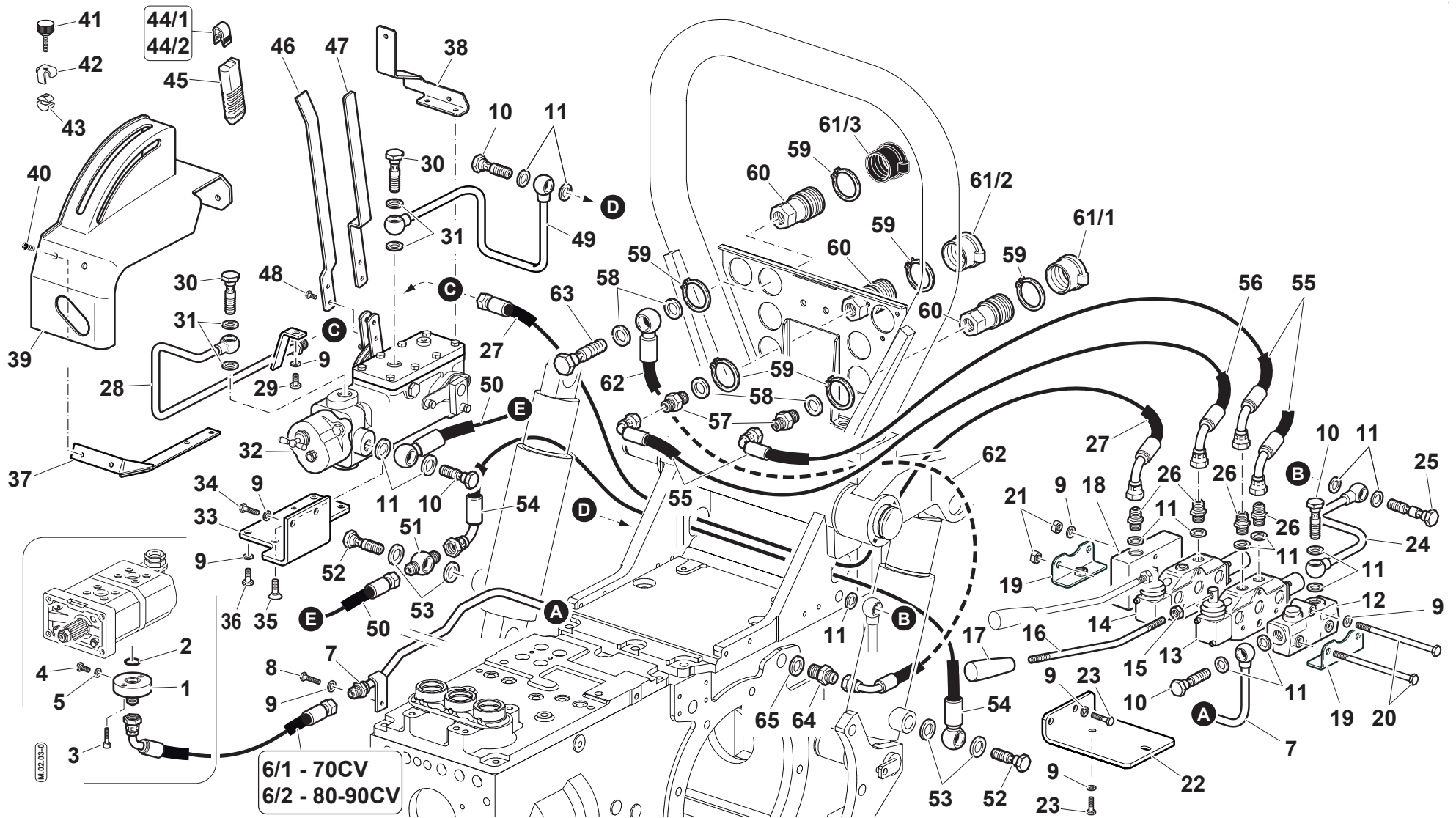
Pos.	Code	Q.ty	Description	Notes
45	58175187	2	KNOB	
44/02	58175188	1	INSERT	
32	58175191	1	DISTRIBUTOR	
41	58175196	1	KNOB	
44/01	58175211	1	INSERT	
19	59072057	2	FIXING BRACKET	
24	59075039	1	EXHAUST	
7	59075169	1	PRESSURE PIPE	
49	59075171	1	EXHAUST	
37	59075254	1	FIXING BRACKET	
28	59075979	1	PRESSURE PIPE	
59	F0801297000	8	RING	
2	F0803185000	1	O-RING	
5	F0824022000	1	SPECIAL GASKET D.8,4X12/1	
11	F0824110000	15	COPPER WASHER 3/8 GAS	
53	F0824113000	4	COPPER WASHER 18X24/1,5	
31	F0824141000	4	COPPER WASHER 21x27/1,5	
58	F0824141000	5	COPPER WASHER 21x27/1,5	
1	F0825809000	1	PRESSURE PIPE CONNECTOR	
60	F0825980030	4	COUPLING	
26	F0835024010	4	NIPPLE	
57	F0835037000	3	NIPPLE	
17	F0837534010	2	GRIP	
10	F0843109020	4	PIPE FITTING	
52	F0843110010	2	THREADED TERMINAL END M18x1,5	
30	F0843116000	2	PIPE FITTING 1/2	
63	F0843116000	1	PIPE FITTING 1/2	
9	F0843643060	14	WASHER 8	
65	F0844273090	1	GASKET 22X28X1,5 CU 99,5	
61/01	F0852550020	2	GUARD	
61/02	F0852550030	1	GUARD	
61/03	F0852550040	1	GUARD	
40	F0861973000	4	SCREW M6X10 COMBI	
4	F0862462010	1	SCREW	

SERIAL

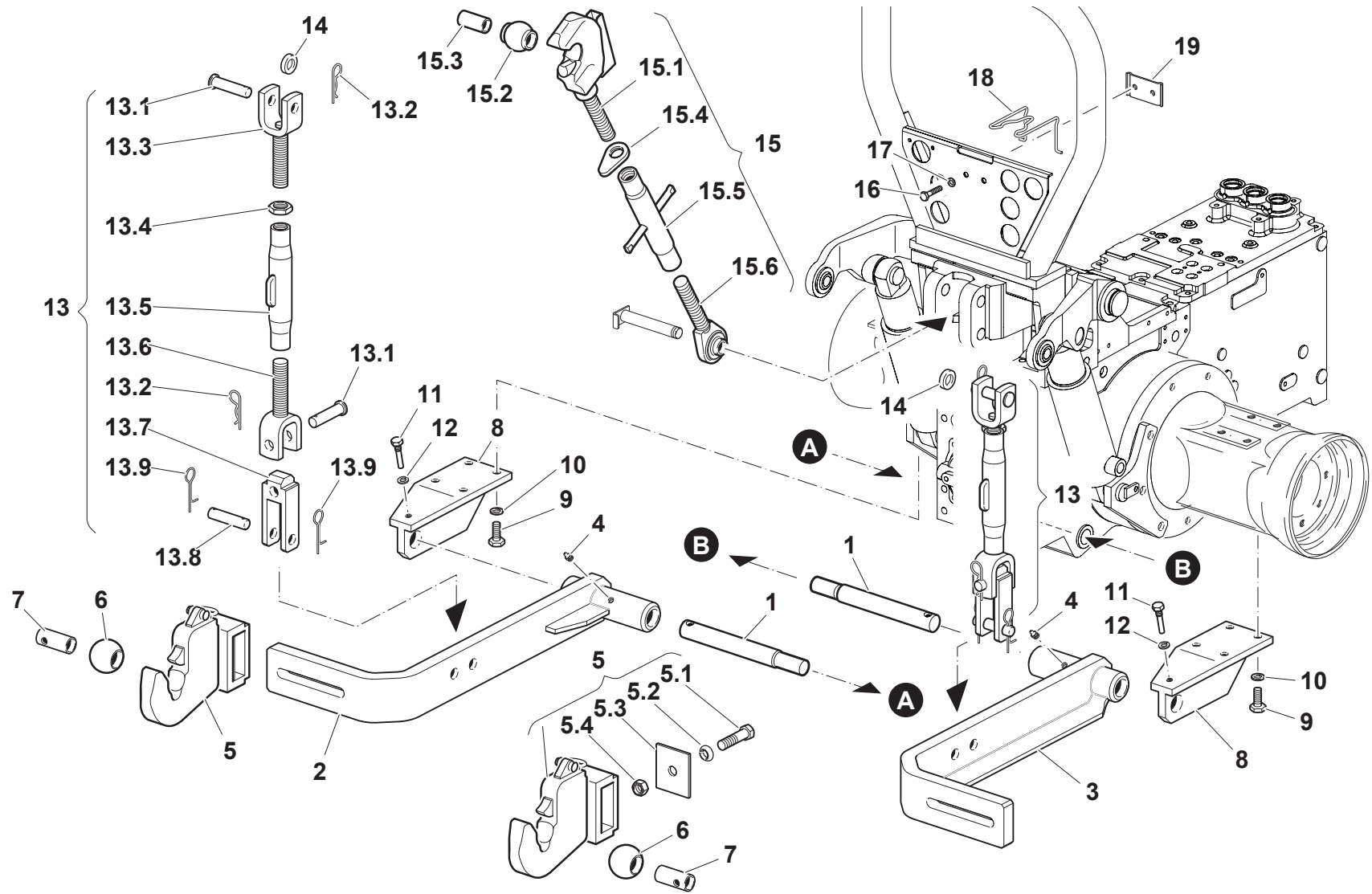
FREE DISCHARGE CONTROL VALVES VERSION

CODE REV

M.02.03.L50003_0



Pos.	Code	Q.ty	Description	Notes
35	F0862481000	1	SCREW M8x16 UNI 5933	



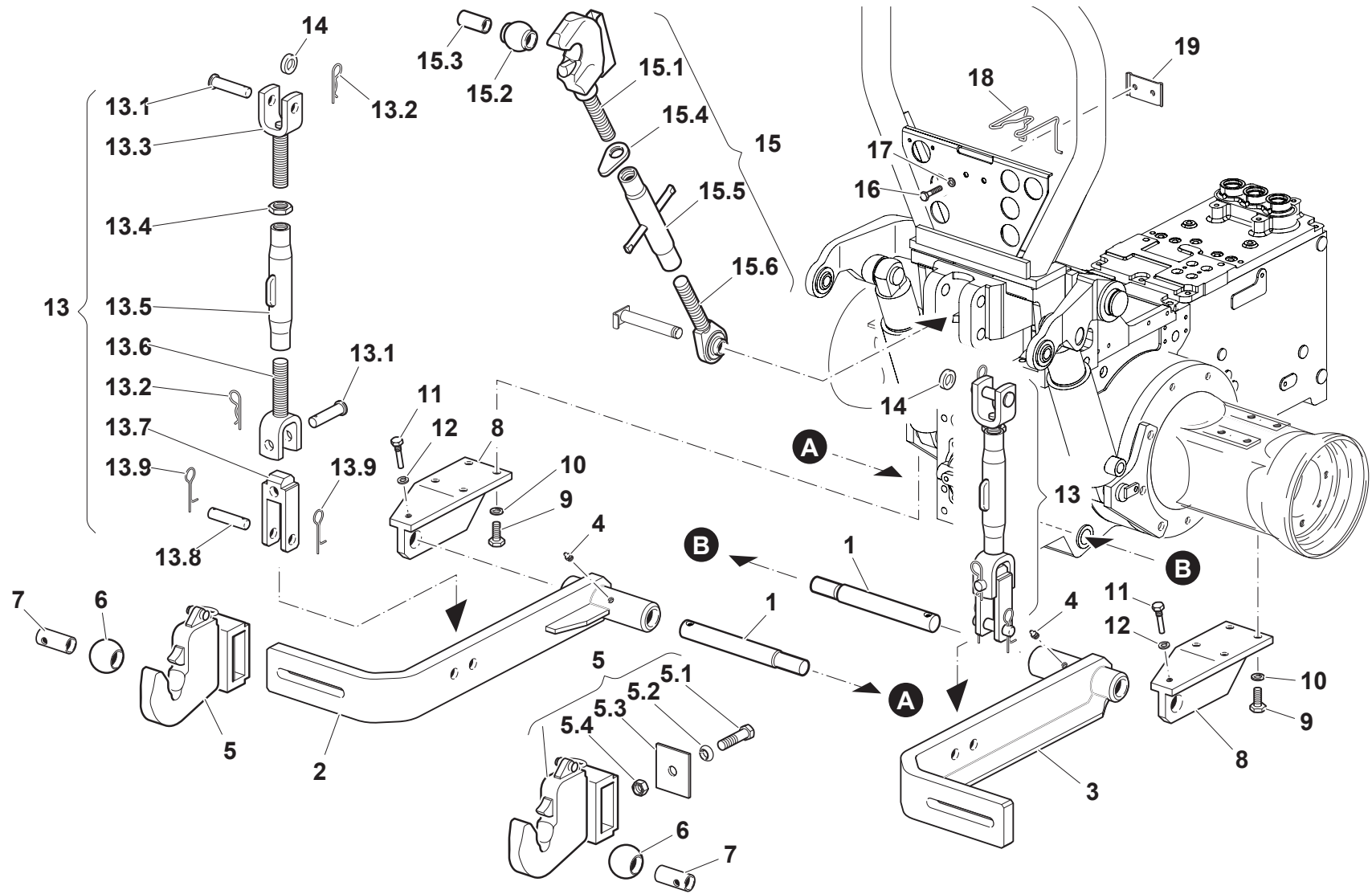
Pos.	Code	Q.ty	Description	Notes
16	31112150	2	SCREW TE M8X20 UNI 5739 8G	
9	31112272	8	SCREW TE M12X30 UNI 5739	
5,4	31211160	1	NUT M16	
15,3	56073059	1	REDUCING BUSH	
11	56075036	2	SCREW	
5,3	56075669	1	CLAMPING PLATE	
1	56575035	2	PIN	
13,5	58070562	1	PIPE	
15	58070848	1	3-POINT HITCH	
13,1	58071755	2	PIN	
14	58071757	2	WASHER	
13,3	58072053	1	ROD	
13,6	58072055	1	ROD	
18	58170449	1	RETAINING SPRING	
6	58171000	2	JOINT	
15,6	58171004	1	TIP	
15,5	58171005	1	BODY	
15,4	58171006	1	RETAINING WASHER	
15,1	58171007	1	TIP	
7	58171021	2	REDUCING BUSH	
15,2	58173072	1	JOINT	
13	58174984	2	ROD	
5,2	58175668	1	WASHER D.16	
19	59070448	1	FIXING BRACKET	
3	59074979	1	LEFT ARM	
2	59074983	1	LEFT ARM	
13,7	59075004	1	FORK	
8	59075028	2	SUPPORT	
5	59075667	2	CLEVIS	
13,4	F0814907000	1	NUT M24X2	
4	F0826056000	2	LUBRICATOR M10 UNI 7663A	
17	F0843643060	2	WASHER 8	
12	F0843755000	2	WASHER 10	
10	F0843843060	8	WASHER 12	

SERIAL

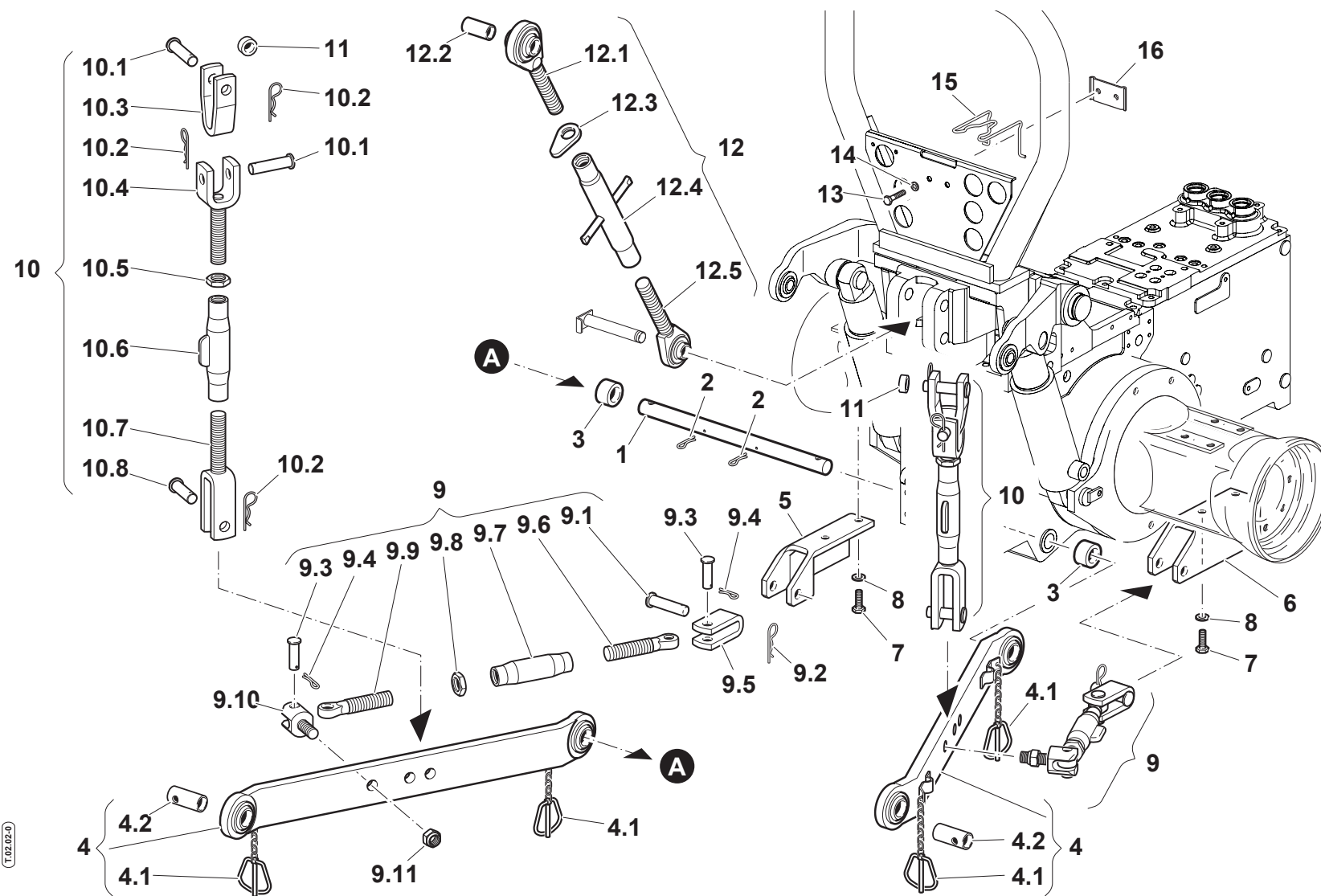
IMPLEMENTS ATTACHMENT - STANDARD

CODE REV

T.02.01.L50003_0



Pos.	Code	Q.ty	Description	Notes
13,2	F0851486000	2	SPLIT PIN	
5,1	F0864364000	1	SCREW M16X60 UNI 5737	
13,9	P453668010001	2	SPLIT PIN	
13,8	P453672020000	1	PIN	



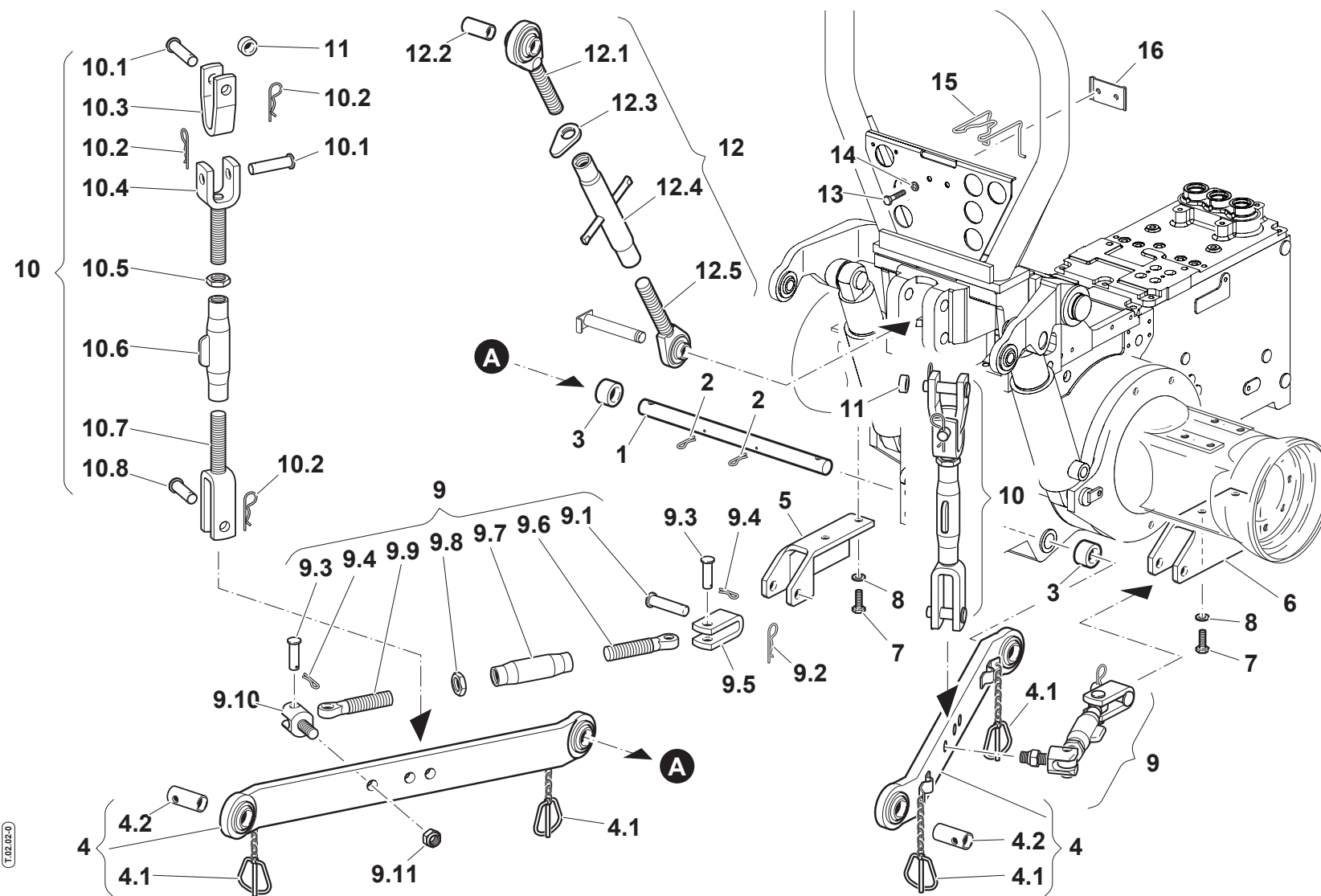
Pos.	Code	Q.ty	Description	Notes
13	31112150	2	SCREW TE M8X20 UNI 5739 8G	
7	31112272	4	SCREW TE M12X30 UNI 5739	
9,4	34110029	2	SPLIT PIN	
12,2	56073059	1	REDUCING BUSH	
3	56170392	2	SPACER	
9,1	56370957	1	HINGE PIN	
1	56574008	1	NON RETURN ARM BAR (75841/2)	
9,3	58070480	2	PIN	
10,8	58070482	1	PIN	
9,5	58070484	1	BRACKET	
9	58070952	2	ROD	
9,6	58070953	1	ROD	
9,9	58070954	1	ROD	
9,7	58070955	1	TUBO FILET.TIRANTE SOLLEVATORE	
9,1	58070956	1	COMPLETE FORK	
4	58071322	2	BOTTOM LINK	
10,1	58071755	2	PIN	
11	58071757	2	WASHER	
10,6	58072054	1	PIPE	
12	58073034	1	3-POINT HITCH	
10	58073205	2	ROD	
10,7	58073206	1	ROD	
10,4	58073212	1	ROD	
10,3	58075843	1	FORK	
15	58170449	1	RETAINING SPRING	
12,5	58171004	1	TIP	
12,3	58171006	1	RETAINING WASHER	
4,2	58171021	1	REDUCING BUSH	
12,1	58173074	1	TIP	
12,4	58173075	1	CORPO PUNTONE 3°PUNTO	
16	59070448	1	FIXING BRACKET	
6	59070950	1	SUPPORT	
5	59070951	1	SUPPORT	
2	F0810622010	2	FRONT COVER	

SERIAL

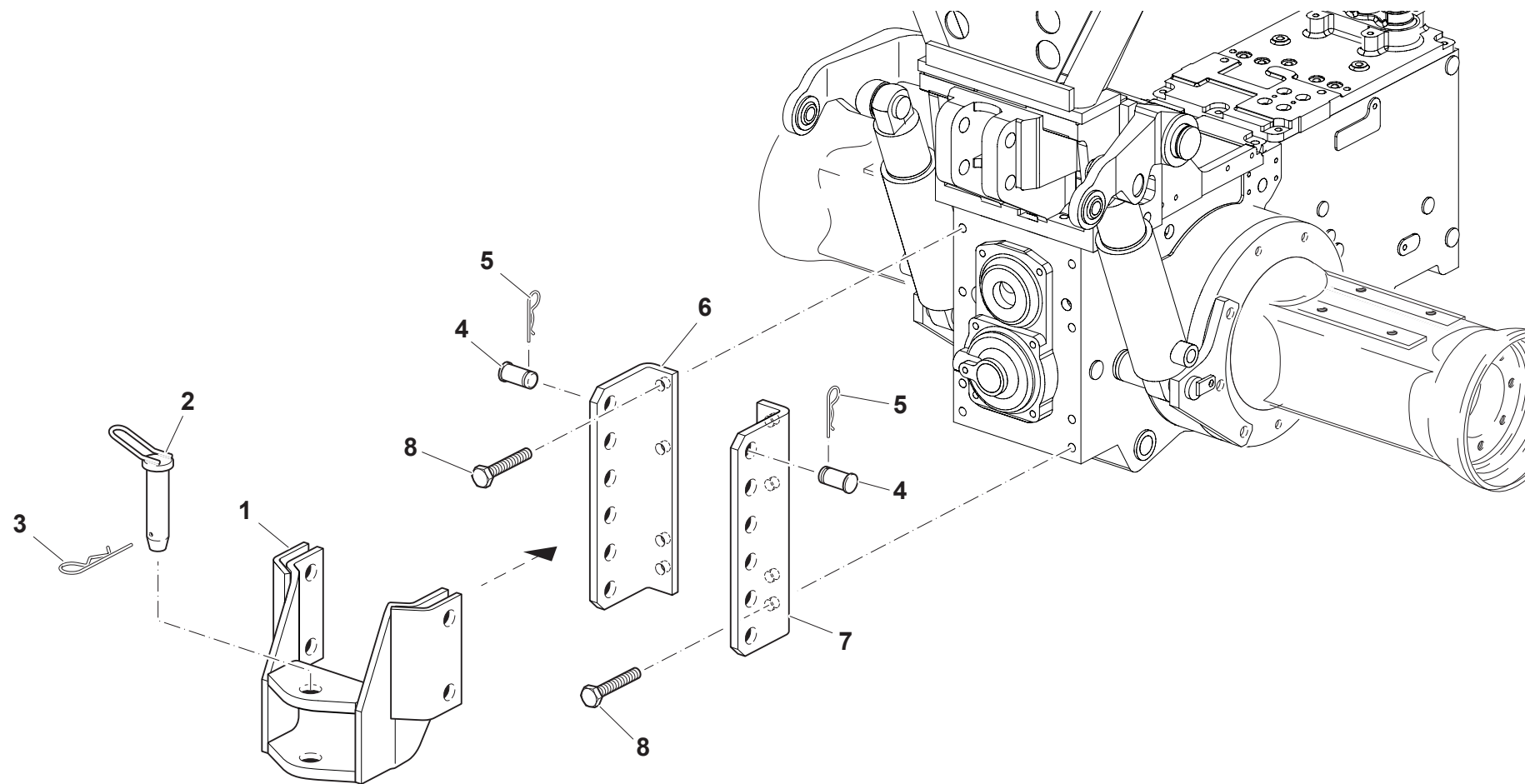
IMPLEMENTS ATTACHMENT - STRAIGHT ARMS VERSION

CODE REV

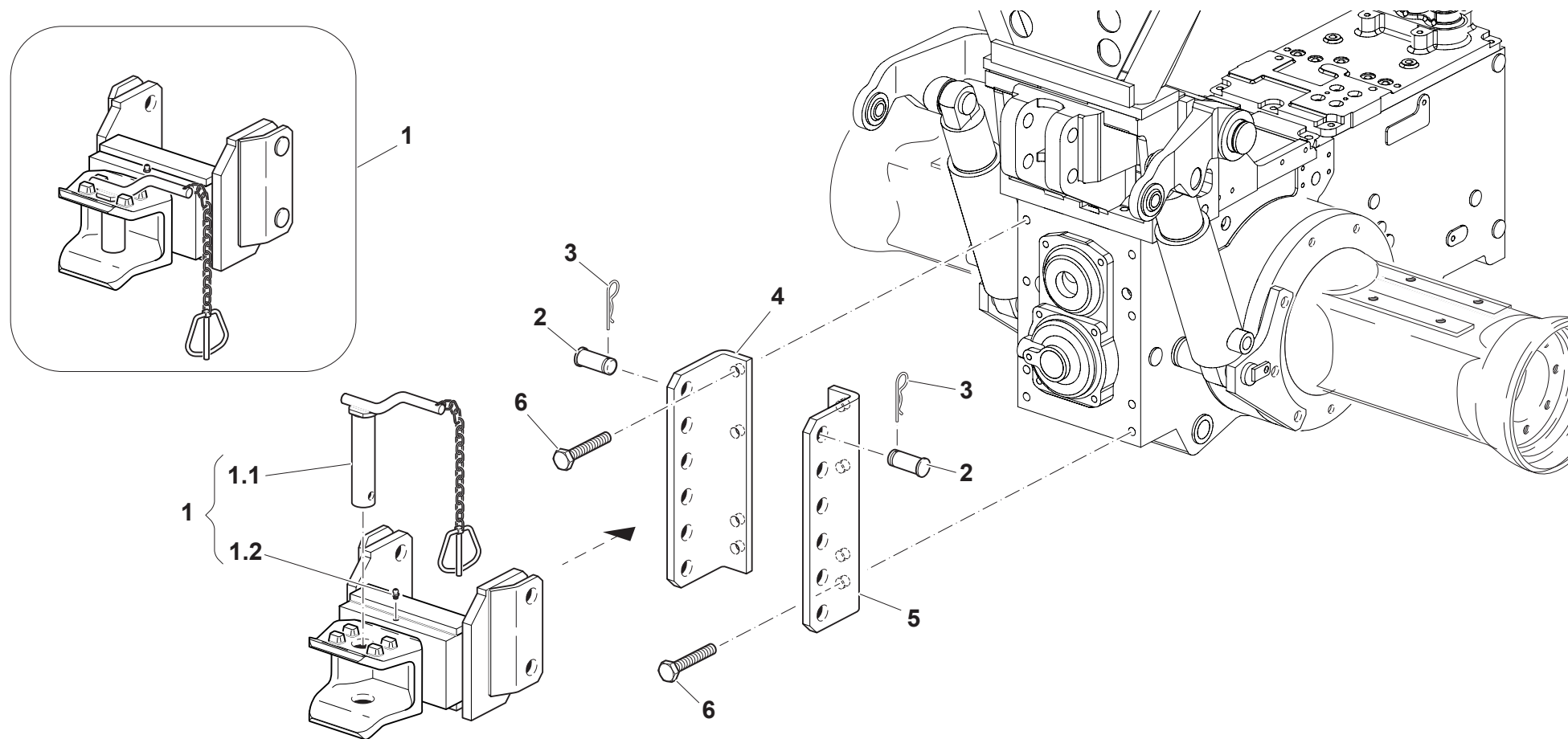
T.02.02.L50003_0



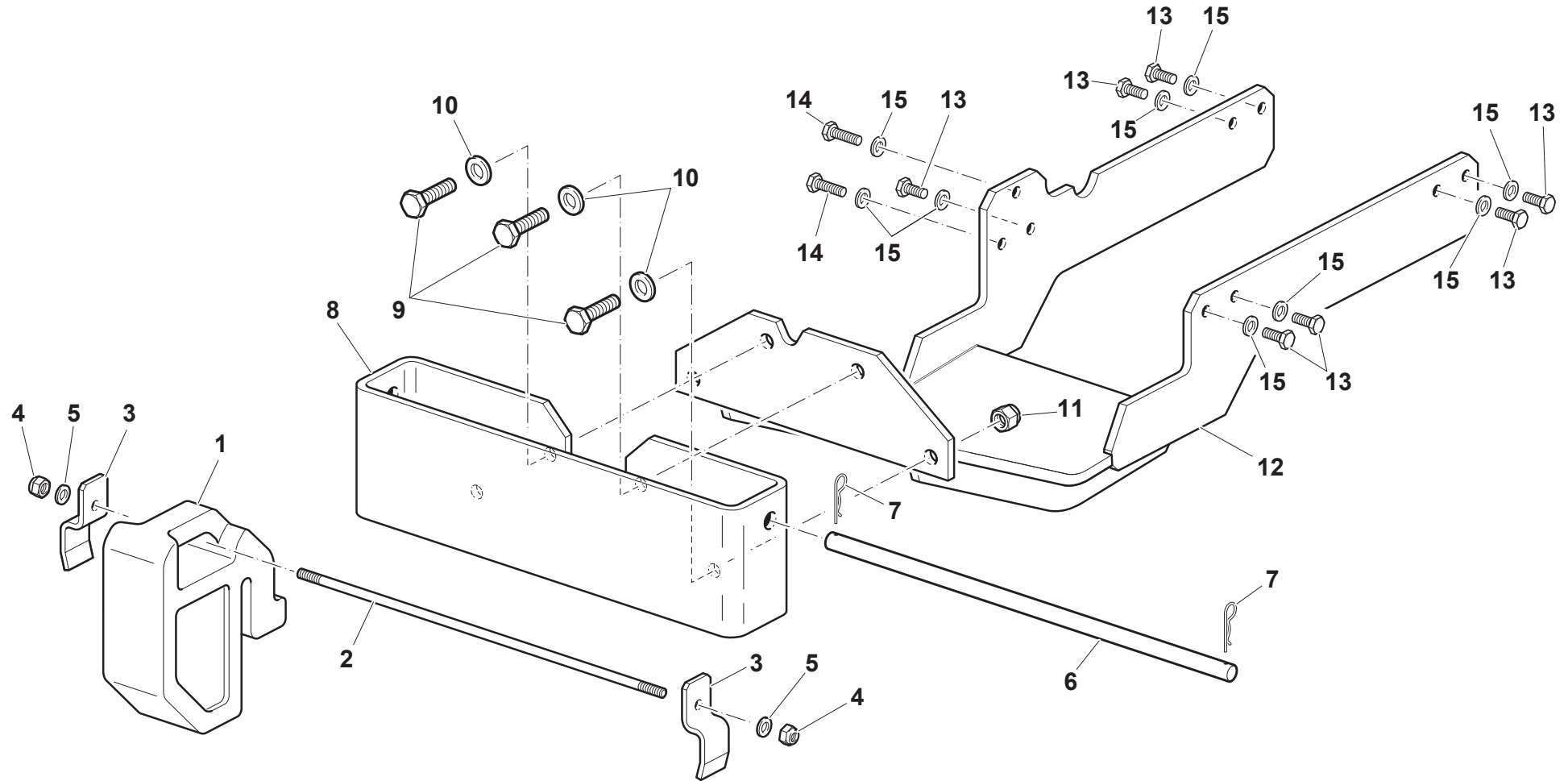
Pos.	Code	Q.ty	Description	Notes
9,11	F0814811000	1	SELFLOCK NUT M18X1,5	
10,5	F0814907000	1	NUT M24X2	
9,8	F0814907000	1	NUT M24X2	
14	F0843643060	2	WASHER 8	
8	F0843843060	4	WASHER 12	
10,2	F0851486000	3	SPLIT PIN	
9,2	F0851486000	1	SPLIT PIN	
4,1	F0852107050	2	PISTON PIN	



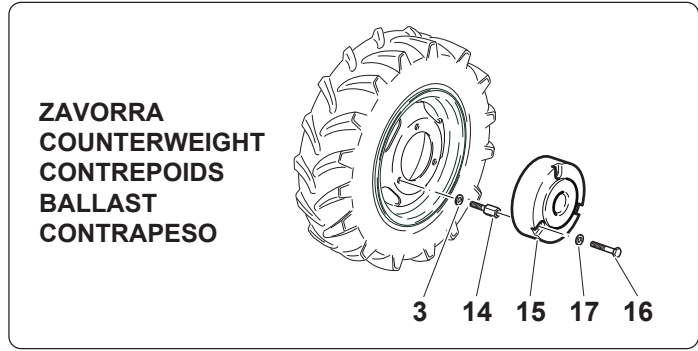
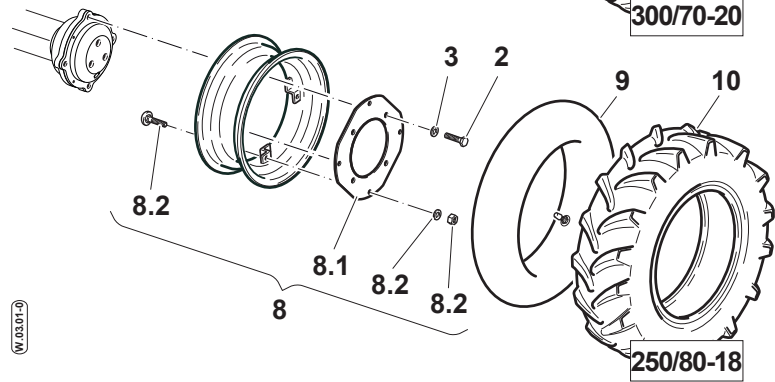
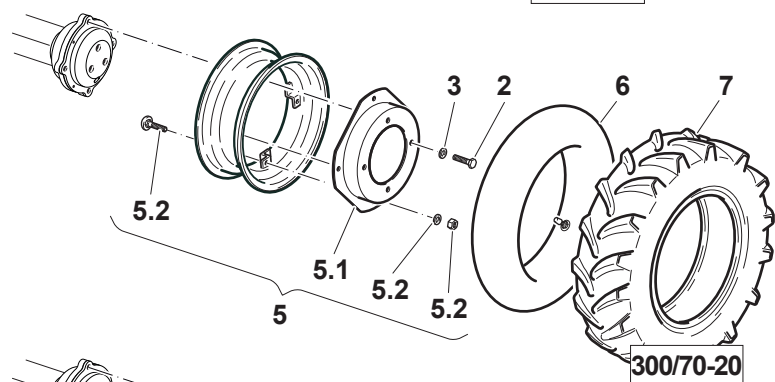
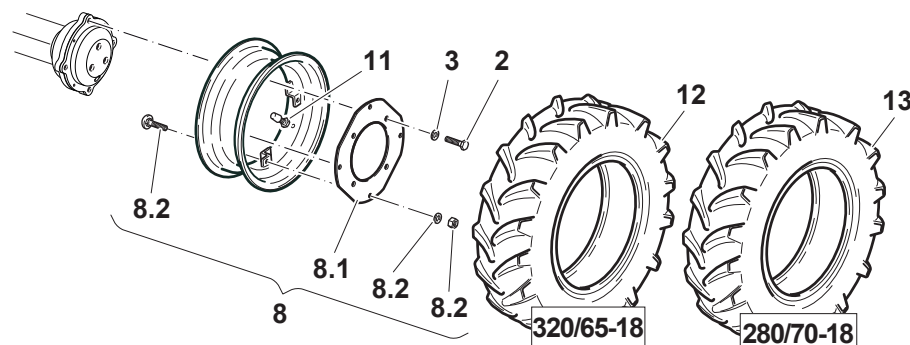
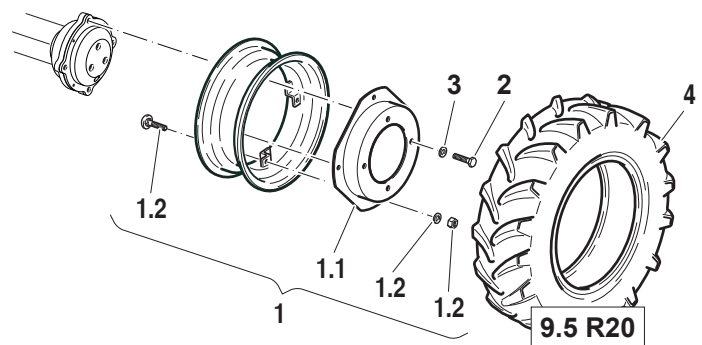
Pos.	Code	Q.ty	Description	Notes
6	56170704	1	SUPPORT	
7	56170705	1	SUPPORT	
4	56370696	2	PIN	
1	59070702	1	TOW HOOK	
2	F0808060100	1	LATCH D.28X117	
5	F0851486000	2	SPLIT PIN	
3	F0851497000	1	SPLIT PIN	
8	F0864180000	8	SCREW M14X30 UNI 5740	



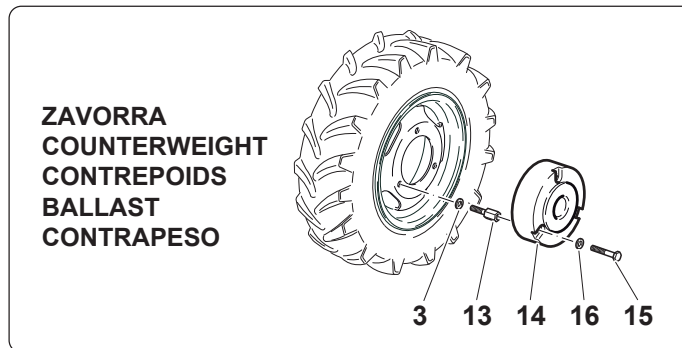
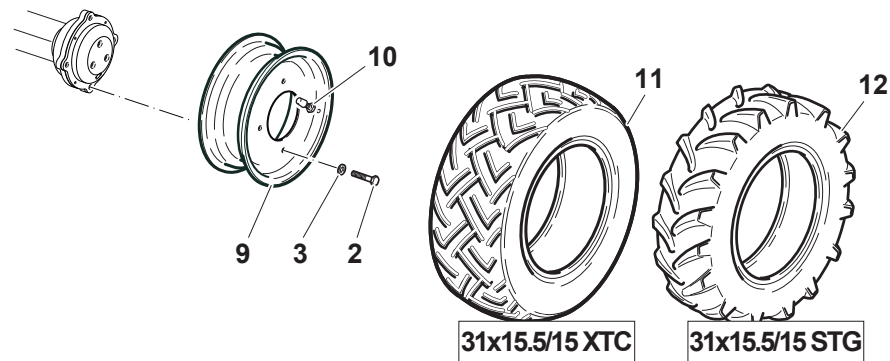
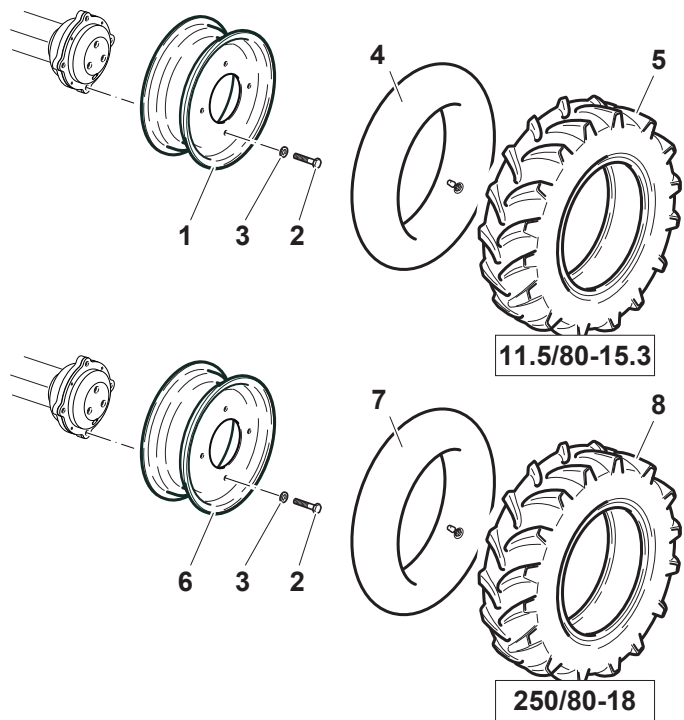
Pos.	Code	Q.ty	Description	Notes
4	56170704	1	SUPPORT	
5	56170705	1	SUPPORT	
2	56375008	2	PIN	
1,1	59075012	1	PIN	
1	59375009	1	TOW HOOK	
1,2	F0826056000	1	LUBRICATOR M10 UNI 7663A	
3	F0851486000	2	SPLIT PIN	
6	F0864180000	8	SCREW M14X30 UNI 5740	



Pos.	Code	Q.ty	Description	Notes
14	31112212	2	SCREW TE M10X35 UNI 5739	
13	31112219	7	SCREW TE M10X25 UNI 5739	
4	31241100	2	SELFLOCK HEXAGON NUT M10	
5	31411105	2	WASHER 10,5x21	
6	56075237	1	ROD	
2	56075238	1	ROD	
8	59075239	1	BALLAST CARRIER	
12	59075438	1	BRACE	
1	F0150051050	6	FRONT BALLAST	
3	F0150051145	2	SQUARE	
11	F0814756000	2	NUT M14	
15	F0843755000	9	WASHER 10	
10	F0843921030	4	WASHER 14	
7	F0851486000	2	SPLIT PIN	
9	F0864245000	4	SCREW M14X45 UNI 5737	



Pos.	Code	Q.ty	Description	Notes
15	51170540	1	BALLAST	
14	56370539	4	SCREW	
1,1	58170181	1	DISC	
5,1	58170181	1	DISC	
8,1	58175630	1	RIM	
5	59270303	1	RIM	
1	59270304	1	RIM	
8	59275632	1	RIM	
1,2	59900361	1	KIT	
5,2	59900361	1	KIT	
8,2	59900361	1	KIT	
11	F0150010905	1	VALVE	
17	F0843993060	4	WASHER	
3	F0844150000	4	WASHER D.30x18,5/5	
10	F0848655000	1	TYRE	
13	F0848655100	1	TYRE 280/70R18	
4	F0848664000	1	TYRE 9.5-R20	
7	F0848676050	1	TYRE 300/70 R20	
12	F0848679600	1	TYRE	
9	F0848855000	1	INNER TUBE	
6	F0848920000	1	INNER TUBE	
16	F0864314000	4	SCREW	
2	F0864410500	4	SCREW M18X1,5/45 U/5740	



Pos.	Code	Q.ty	Description	Notes
14	51170540	1	BALLAST	
13	56370539	4	SCREW	
6	58170938	1	RIM	
1	58173178	1	RIM	
9	58175205	1	RIM	
10	F0150010905	1	VALVE	
16	F0843993060	4	WASHER	
3	F0844150000	4	WASHER D.30x18,5/5	
8	F0848655000	1	TYRE	
5	F0848672100	1	TYRE	
11	F0848681600	1	TYRE 31X15.5-15 8PR	
12	F0848681605	2	TYRE 31X15.5-15	
4	F0848844000	1	INNER TUBE	
7	F0848855000	1	INNER TUBE	
15	F0864314000	4	SCREW	
2	F0864410500	4	SCREW M18X1,5/45 U/5740	

SPARE PARTS INSTANCE INDEX





SPARE PARTS INSTANCE INDEX

Code	Parts Table	Pos.	Q.ty	Code	Parts Table	Pos.	Q.ty	Code	Parts Table	Pos.	Q.ty
30000007	D.03.01.L50017_0	24	1	31112090	C.01.02.L50003_0	3	4	31112150	L.02.05.L50003_1	24	8
30000506	E.03.01.L50017_0	15	1		F.01.04.L50004_0	15	1		L.02.06.L50003_0	25	8
30000514	B.03.03.L50003_0	31	1		F.02.02.L50018_0	6	5		L.02.06.L50003_1	25	8
30000614	B.08.01.L50017_0	8	1		F.03.03.L50003_0	15	1		M.01.01.L50017_0	35	2
	B.08.01.L50017_1	8	1	31112092	B.04.04.L50003_0	29	2		M.02.03.L50003_0	23	4
	B.08.01.L50017_2	8	1	31112093	C.02.02.L50003_0	32	4		M.02.03.L50003_0	34	2
30000777	F.01.04.L50004_0	8	1		M.01.01.L50017_0	56	2		T.02.01.L50003_0	16	2
31111090	F.04.01.L50017_0	26	1	31112146	B.05.03.L50003_0	31	4		T.02.02.L50003_0	13	2
	M.02.03.L50003_0	48	4		C.02.02.L50003_0	24	2	31112151	A.03.02.L50018_0	11	1
31111091	B.02.01.L50017_0	14	2		D.07.01.L50017_0	11	4		B.01.02.L50018_0	8	1
	B.04.04.L50003_0	30	2	31112147	B.09.01.L50017_0	2	4		B.03.03.L50003_0	20	4
	M.01.01.L50017_0	62	1		D.15.03.L50003_0	25	2		C.03.02.L50003_0	3	6
31111151	B.01.02.L50018_0	18	1	31112148	A.02.03.L50018_0	12	2		D.15.03.L50003_0	20	1
	B.05.03.L50003_0	25	10		B.04.04.L50003_0	24	8	31112152	A.01.02.L50018_0	20	1
	B.12.02.L50017_0	10	4		D.02.02.L50003_0	3	6		A.01.02.L50018_1	20	1
	C.02.02.L50003_0	19	2		D.02.02.L50003_1	3	6		B.05.03.L50003_0	24	4
	F.01.04.L50004_0	21	8	31112149	B.08.01.L50017_0	23	2		D.07.01.L50017_0	12	3
	L.02.05.L50003_0	8	1		B.08.01.L50017_1	23	2	31112155	F.01.04.L50004_0	5	4
	L.02.05.L50003_1	8	1		B.08.01.L50017_2	23	2	31112161	D.11.01.L50017_0	3	2
	L.02.06.L50003_0	8	1		L.01.01.L50017_0	9	2	31112174	A.01.02.L50018_0	16	1
	L.02.06.L50003_1	8	1		M.01.01.L50017_0	10	2		A.01.02.L50018_1	16	1
	M.02.03.L50003_0	36	3		M.02.03.L50003_0	29	1	31112178	B.04.04.L50003_0	37	2
	M.02.03.L50003_0	8	1	31112150	A.01.02.L50018_0	3	6	31112208	B.05.03.L50003_0	27	2
31111218	A.05.01.L50017_0	14	2		A.01.02.L50018_1	3	6	31112210	A.01.02.L50018_0	24	2
31111331	B.01.02.L50018_0	2	4		A.02.03.L50018_0	6	1		A.01.02.L50018_1	24	2
31112051	A.02.03.L50018_0	20	1		A.05.01.L50017_0	26	1		B.04.04.L50003_0	36	1
31112082	A.04.01.L50017_0	9	1		B.01.02.L50018_0	5	2		E.02.02.L50018_0	5	1
	B.01.02.L50018_0	23	12		B.02.01.L50017_0	8	2		F.01.04.L50004_0	2	1
	C.01.02.L50003_0	23	6		B.04.04.L50003_0	35	4		F.01.04.L50004_0	23	4
	L.01.01.L50017_0	14	2		D.13.01.L50017_0	7	1		F.02.02.L50018_0	9	2
	M.01.01.L50017_0	15	2		F.01.04.L50004_0	28	1		F.03.03.L50003_0	2	1
31112090	A.01.02.L50018_0	10	1		F.04.01.L50017_0	2	2	31112211	A.01.02.L50018_0	19	1
	A.01.02.L50018_1	10	1		L.01.01.L50017_0	25	2		A.01.02.L50018_1	19	1
	B.09.01.L50017_0	9	4		L.02.05.L50003_0	24	8		B.04.04.L50003_0	8	3

SPARE PARTS INSTANCE INDEX

Code	Parts Table	Pos.	Q.ty	Code	Parts Table	Pos.	Q.ty	Code	Parts Table	Pos.	Q.ty
31112211	B.05.03.L50003_0	19	8	31152083	F.01.04.L50004_0	2	4	31241121	M.01.01.L50017_0	50	2
	C.01.02.L50003_0	6	2		F.02.02.L50018_0	2	4	31241140	B.03.03.L50003_0	28	2
	L.01.01.L50017_0	3	5	31152085	D.11.01.L50017_0	2	2	31312089	D.12.01.L50017_0	55	4
	M.01.01.L50017_0	3	4	31152088	B.02.01.L50017_0	11	2		D.12.01.L50017_1	59	4
31112212	C.01.02.L50003_0	7	7	31152097	M.01.01.L50017_0	47	2	31313300	C.03.02.L50003_0	7	10
	T.04.01.L50018_0	14	2	31200501	A.04.01.L50017_0	5	1	31313320	C.03.02.L50003_0	8	6
31112213	C.01.02.L50003_0	8	1		A.04.02.L50017_0	5	1	31411053	A.02.03.L50018_0	21	1
31112217	M.01.01.L50017_0	5	1	31211050	A.02.03.L50018_0	23	1	31411064	B.09.01.L50017_0	10	4
31112219	A.01.02.L50018_0	6	4	31211060	B.04.04.L50003_0	21	4		F.01.04.L50004_0	17	1
	A.01.02.L50018_1	6	4		B.05.03.L50003_0	7	8		F.03.03.L50003_0	17	1
	A.03.02.L50018_0	9	2		B.09.01.L50017_0	12	4	31411066	B.03.03.L50003_0	6	6
	B.04.04.L50003_0	7	3	31211080	D.12.01.L50017_1	60	6		B.04.04.L50003_0	31	4
	F.01.04.L50004_0	3	5		L.02.05.L50003_0	21	6		B.05.03.L50003_0	5	8
	F.03.03.L50003_0	3	3		L.02.05.L50003_1	21	6	31411084	B.01.02.L50018_0	6	3
	L.01.01.L50017_0	2	1		L.02.06.L50003_0	22	4		B.02.01.L50017_0	4	3
	M.01.01.L50017_0	2	1		L.02.06.L50003_1	22	4		B.03.03.L50003_0	16	4
	T.04.01.L50018_0	13	7		M.02.03.L50003_0	21	3		B.04.04.L50003_0	25	4
31112264	B.05.03.L50003_0	35	2	31211100	L.02.05.L50003_0	16	4		B.05.03.L50003_0	15	20
31112265	B.05.03.L50003_0	36	2		L.02.05.L50003_1	16	4		B.08.01.L50017_0	17	4
31112272	B.03.03.L50003_0	23	8		L.02.06.L50003_0	17	4		B.08.01.L50017_0	24	2
	T.02.01.L50003_0	9	8		L.02.06.L50003_1	17	4		B.08.01.L50017_1	17	4
	T.02.02.L50003_0	7	4		M.02.03.L50003_0	15	2		B.08.01.L50017_1	24	2
31112328	B.01.02.L50018_0	26	2	31211160	T.02.01.L50003_0	5,4	1		B.08.01.L50017_2	17	4
31122804	B.04.04.L50003_0	10	4	31212060	A.01.02.L50018_0	12	1		B.09.01.L50017_0	7	2
31132562	A.02.03.L50018_0	2	2		A.01.02.L50018_1	12	1		D.03.01.L50017_0	30	1
	C.02.02.L50003_0	31	4		B.02.01.L50017_0	16	2	31411090	A.01.02.L50018_0	22	1
31132566	D.13.01.L50017_0	6	1		F.02.02.L50018_0	8	5		A.01.02.L50018_1	22	1
31152057	L.02.05.L50003_0	3	2	31212100	B.05.03.L50003_0	29	2		B.01.02.L50018_0	10	1
	L.02.05.L50003_1	3	2	31231080	A.02.03.L50018_0	18	2		B.04.04.L50003_0	14	4
	L.02.06.L50003_0	3	2		B.01.02.L50018_0	15	1		F.01.04.L50004_0	9	4
	L.02.06.L50003_1	3	2	31241051	B.03.03.L50003_0	14	4		F.03.03.L50003_0	9	1
	M.02.03.L50003_0	3	2		B.05.03.L50003_0	12	4	31411104	M.01.01.L50017_0	22	3
31152060	A.02.03.L50018_0	15	1	31241080	B.01.02.L50018_0	11	1	31411105	A.01.02.L50018_0	7	2
31152068	A.02.03.L50018_0	16	1	31241100	T.04.01.L50018_0	4	2		A.01.02.L50018_1	7	2

SPARE PARTS INSTANCE INDEX

Code	Parts Table	Pos.	Q.ty	Code	Parts Table	Pos.	Q.ty	Code	Parts Table	Pos.	Q.ty
31411105	B.05.03.L50003_0	28	2	35211060	B.02.01.L50017_0	19	1	51174394	D.07.01.L50017_0	9	1
	D.03.01.L50017_0	26	1	35211070	M.01.01.L50017_0	27	2	51174448	C.01.02.L50003_0	1	1
	D.03.01.L50017_0	49	1	37111254	D.09.02.L50003_0	3	1	51174467	C.01.02.L50003_0	2	1
	D.15.03.L50003_0	19	1	37111255	D.05.01.L50017_0	9	1	51175800	B.01.02.L50018_0	1	1
	T.04.01.L50018_0	5	2	37111354	D.02.02.L50003_0	16	1	51176774	C.01.02.L50003_0	16	1
31411130	D.14.02.L50003_0	8	2		D.02.02.L50003_1	16	1	51176775	C.01.02.L50003_0	15	1
	D.15.03.L50003_0	13	2	37111404	D.12.01.L50017_0	27	1	51270174	D.11.01.L50017_0	8	1
31411150	B.01.02.L50018_0	28	2	37112302	D.02.02.L50003_0	8	1	51270203	D.11.01.L50017_0	13	1
	D.15.03.L50003_0	22	2		D.02.02.L50003_1	8	1	51270771	D.07.01.L50017_0	32	1
31421083	A.01.02.L50018_0	21	1	38104412	D.02.02.L50003_0	26	1	51273893	D.07.01.L50017_0	31	1
	A.01.02.L50018_1	21	1		D.02.02.L50003_1	25	1	51274080	D.13.01.L50017_0	13	1
	D.02.02.L50003_0	4	6	38111078	D.13.01.L50017_0	16	2	51371035	D.01.02.L50003_0	22	1
	D.02.02.L50003_1	4	6	38112200	D.13.01.L50017_0	3	1		D.09.02.L50003_0	11	1
31510053	B.08.01.L50017_0	6	6		F.01.04.L50004_0	6	2	52071702	L.01.01.L50017_0	13	1
	B.08.01.L50017_1	6	6	38112507	F.01.04.L50004_0	33	1		M.01.01.L50017_0	14	1
	B.08.01.L50017_2	6	6	38114070	D.08.01.L50017_0	8	0	52074435	D.08.01.L50017_0	15	0
34110029	T.02.02.L50003_0	9,4	2	38116317	D.12.01.L50017_0	49	1	52173669	C.02.02.L50003_0	12	1
34110030	M.01.01.L50017_0	59	1		D.12.01.L50017_1	53	1	52173670	C.02.02.L50003_0	12	1
34211054	D.13.01.L50017_0	4	2	38118720	D.12.01.L50017_0	50	1	52173671	C.02.02.L50003_0	12	1
34321066	D.15.03.L50003_0	7	1		D.12.01.L50017_1	54	1	52173672	C.02.02.L50003_0	12	1
35111047	D.12.01.L50017_0	4	1	41S50000	A.01.02.L50018_0	1	1	52173673	C.02.02.L50003_0	12	1
	D.12.01.L50017_1	4	1	41S50001	A.01.02.L50018_1	1	1	52272112	D.07.01.L50017_0	28	1
35111052	D.05.01.L50017_0	10	1	50973415	M.01.01.L50017_0	40	2	52273364	D.07.01.L50017_0	29	1
35111062	D.02.02.L50003_0	7	2	51170020	C.03.02.L50003_0	6	2	52274299	D.07.01.L50017_0	26	1
	D.02.02.L50003_1	7	2	51170540	W.03.01.L50003_0	15	1	52370072	D.10.01.L50017_0	6	1
	D.09.02.L50003_0	2	2		W.03.02.L50003_0	14	1	52370075	D.10.01.L50017_0	5	1
35111080	D.02.02.L50003_0	15	2	51172005	D.10.01.L50017_0	3	1	52370152	D.13.01.L50017_0	2	1
	D.02.02.L50003_1	15	4	51173371	M.01.01.L50017_0	49	1	52372292	D.12.01.L50017_0	35	1
35121014	D.08.01.L50017_0	1	0	51173650	C.03.02.L50003_0	2	1		D.12.01.L50017_1	37	1
35121030	D.02.02.L50003_0	6	2	51173801	C.03.02.L50003_0	11	1	52373177	D.15.03.L50003_0	10	2
	D.02.02.L50003_1	6	2	51173802	C.03.02.L50003_0	10	1	52373668	C.02.02.L50003_0	6	2
35121040	D.04.01.L50017_0	11	2	51173821	C.03.02.L50003_0	1	1	52374189	D.07.01.L50017_0	02-feb	2
	D.12.01.L50017_0	9	1	51174047	M.01.01.L50017_0	1	1	52374297	D.07.01.L50017_0	27	2
	D.12.01.L50017_1	8	1	51174315	L.01.01.L50017_0	1	1	52374298	D.07.01.L50017_0	30	1



SPARE PARTS INSTANCE INDEX

Code	Parts Table	Pos.	Q.ty	Code	Parts Table	Pos.	Q.ty	Code	Parts Table	Pos.	Q.ty
52374386	D.07.01.L50017_0	03-feb	1	52475551	D.12.01.L50017_1	45	1	55175174	F.03.03.L50003_0	10	1
52374641	D.11.01.L50017_0	1	1	52475552	D.12.01.L50017_1	43/01	1	55271644	B.08.01.L50017_0	05-feb	1
52375215	D.15.03.L50003_0	14	1	52475554	D.12.01.L50017_1	23	1		B.08.01.L50017_1	05-feb	1
52470061	D.01.02.L50003_0	18	1	52475562	D.12.01.L50017_1	31	1		B.08.01.L50017_2	5,2	1
	D.09.02.L50003_0	7	1	52475565	D.12.01.L50017_1	42	1	55271852	B.08.01.L50017_0	05-gen	1
52470062	D.01.02.L50003_0	17	1	52476062	D.12.01.L50017_1	16	1		B.08.01.L50017_1	05-gen	1
	D.09.02.L50003_0	6	1	52476063	D.12.01.L50017_1	21-gen	1		B.08.01.L50017_2	5,1	1
52470067	D.01.02.L50003_0	21	2	52476067	D.12.01.L50017_1	19	1	55274314	A.05.01.L50017_0	1	1
	D.09.02.L50003_0	8	2	52476068	D.12.01.L50017_1	15	1	55274441	B.08.01.L50017_0	4	1
52470087	D.10.01.L50017_0	11	3	52476868	D.12.01.L50017_1	3	1		B.08.01.L50017_1	4	1
52470298	D.12.01.L50017_0	8	1	52573648	D.02.02.L50003_0	22	1		B.08.01.L50017_2	4	1
	D.12.01.L50017_1	7	1		D.02.02.L50003_1	21	1	56071768	A.02.03.L50018_0	11	2
52470762	D.04.01.L50017_0	18	1	53273025	D.02.02.L50003_0	27	1	56073059	T.02.01.L50003_0	15,3	1
52473655	D.02.02.L50003_0	36	1		D.02.02.L50003_1	26	1		T.02.02.L50003_0	12,2	1
	D.02.02.L50003_1	35	1	53273886	D.12.01.L50017_0	30	1	56073413	M.01.01.L50017_0	44	2
52473656	D.04.01.L50017_0	24	1		D.12.01.L50017_1	32	1	56073414	M.01.01.L50017_0	41	2
52473827	D.05.01.L50017_0	8	1	53273891	D.12.01.L50017_0	51	1	56073416	M.01.01.L50017_0	45	1
52473828	D.05.01.L50017_0	3	1		D.12.01.L50017_1	55	1	56074302	D.03.01.L50017_0	28	1
52473829	D.05.01.L50017_0	5	1	55072935	B.05.03.L50003_0	4	4	56074313	D.12.01.L50017_0	60	1
52473830	D.05.01.L50017_0	6	1	55170047	D.14.02.L50003_0	6	2		D.12.01.L50017_1	64	1
52473831	D.05.01.L50017_0	7	1	55170053	D.07.01.L50017_0	6	3	56075036	T.02.01.L50003_0	11	2
52473838	D.04.01.L50017_0	5	1	55172355	A.04.01.L50017_0	7	1	56075120	A.01.02.L50018_0	26	1
52473839	D.04.01.L50017_0	9	1	55174162	B.09.01.L50017_0	14	1		A.01.02.L50018_1	26	1
52473873	D.12.01.L50017_0	3	1	55174163	B.09.01.L50017_0	13	2	56075143	M.01.01.L50017_0	58	1
52473874	D.12.01.L50017_0	13	1	55174429	C.02.02.L50003_0	29	2	56075145	M.01.01.L50017_0	26	1
52473875	D.12.01.L50017_0	19	1	55174632	A.03.02.L50018_0	17	1	56075161	M.02.03.L50003_0	33	1
52473876	D.12.01.L50017_0	23	1	55174633	A.03.02.L50018_0	18	1	56075185	M.02.03.L50003_0	46	1
52473881	D.12.01.L50017_0	41	1	55174760	A.04.01.L50017_0	15	1	56075186	M.02.03.L50003_0	47	1
52473885	D.12.01.L50017_0	40	1		A.04.02.L50017_0	10	1	56075197	M.02.03.L50003_0	42	1
52473894	D.12.01.L50017_0	42	1	55174761	A.04.01.L50017_0	17	1	56075198	M.02.03.L50003_0	43	1
52474254	D.04.01.L50017_0	17	1		A.04.02.L50017_0	12	1	56075230	D.03.01.L50017_0	46	1
52475059	D.12.01.L50017_0	18	1	55175174	B.04.04.L50003_0	13	6	56075237	T.04.01.L50018_0	6	1
52475060	D.12.01.L50017_0	16	1		B.05.03.L50003_0	23	8	56075238	T.04.01.L50018_0	2	1
52475073	D.04.01.L50017_0	20	1		F.01.04.L50004_0	10	4	56075252	M.02.03.L50003_0	38	1



SPARE PARTS INSTANCE INDEX

Code	Parts Table	Pos.	Q.ty	Code	Parts Table	Pos.	Q.ty	Code	Parts Table	Pos.	Q.ty
56075669	T.02.01.L50003_0	5,3	1	56171572	D.12.01.L50017_0	1	1	56174337	B.05.03.L50003_0	3	2
56076074	D.12.01.L50017_1	18	1		D.12.01.L50017_1	1	1	56174400	D.03.01.L50017_0	47	1
56170017	D.07.01.L50017_0	16	1	56171877	A.02.03.L50018_0	3	1	56174401	D.03.01.L50017_0	48	1
56170029	D.03.01.L50017_0	15	1	56171883	A.02.03.L50018_0	4	1	56174431	D.13.01.L50017_0	10	1
56170043	D.14.02.L50003_0	7	2	56171936	D.15.03.L50003_0	17,1	1	56174446	C.02.02.L50003_0	30	4
56170074	D.10.01.L50017_0	9	1	56171938	B.03.03.L50003_0	13	2	56174493	C.02.02.L50003_0	11	1
56170213	D.01.02.L50003_0	9	1		B.05.03.L50003_0	11	2	56174529	F.01.04.L50004_0	6	1
56170214	D.01.02.L50003_0	7	1	56171954	B.04.04.L50003_0	16	2		F.03.03.L50003_0	6	2
56170275	A.05.01.L50017_0	9	3		B.05.03.L50003_0	22	8	56174569	B.02.01.L50017_0	1,1	1
56170276	A.05.01.L50017_0	16	2	56171996	B.04.04.L50003_0	12	4	56174618	A.05.01.L50017_0	25	1
56170283	L.01.01.L50017_0	27	2		F.01.04.L50004_0	11	4	56174619	A.05.01.L50017_0	5	1
	M.01.01.L50017_0	37	2		F.03.03.L50003_0	11	1	56174620	A.05.01.L50017_0	6	2
56170285	L.01.01.L50017_0	29	2	56172072	F.04.01.L50017_0	15	1	56174621	A.05.01.L50017_0	7	1
	M.01.01.L50017_0	39	2	56172172	B.12.01.L50017_0	06-feb	1	56174622	A.05.01.L50017_0	8	2
56170286	L.01.01.L50017_0	28	2	56172442	B.03.03.L50003_0	19	2	56174629	A.03.02.L50018_0	4	1
	M.01.01.L50017_0	38	2	56172538	C.01.02.L50003_0	22	1	56174631	A.03.02.L50018_0	10	1
56170350	F.01.04.L50004_0	15	3	56172547	F.02.02.L50018_0	12	1	56174635	A.04.01.L50017_0	3	1
56170351	F.01.04.L50004_0	19	1	56172749	F.04.01.L50017_0	4	1		A.04.02.L50017_0	3	1
56170364	C.02.02.L50003_0	23	2	56172950	A.05.01.L50017_0	20	1	56174636	A.04.01.L50017_0	2	1
56170367	D.15.03.L50003_0	3	1	56173638	L.01.01.L50017_0	8	1		A.04.02.L50017_0	2	1
56170392	T.02.02.L50003_0	3	2		M.01.01.L50017_0	9	1	56174637	A.04.01.L50017_0	12	1
56170447	D.13.01.L50017_0	11	1	56173684	D.03.01.L50017_0	23	1	56174642	B.05.03.L50003_0	30	2
56170704	T.03.01.L50003_0	6	1	56174108	D.12.01.L50017_0	5	1	56174643	B.09.01.L50017_0	1	1
	T.03.02.L50003_0	4	1		D.12.01.L50017_1	5	1	56174647	B.02.01.L50017_0	1,3	1
56170705	T.03.01.L50003_0	7	1	56174135	B.03.03.L50003_0	10	2	56174648	B.02.01.L50017_0	1,4	1
	T.03.02.L50003_0	5	1	56174201	L.02.05.L50003_0	23	1	56174649	B.02.01.L50017_0	1,2	1
56170795	D.15.03.L50003_0	8	1		L.02.05.L50003_1	23	1	56174650	B.02.01.L50017_0	1,5	1
56170796	D.15.03.L50003_0	9	1		L.02.06.L50003_0	24	1	56174651	B.02.01.L50017_0	1,7	1
56170964	L.02.05.L50003_0	17	4		L.02.06.L50003_1	24	1	56174654	B.02.01.L50017_0	7	1
	L.02.05.L50003_1	17	4		M.02.03.L50003_0	22	1	56174656	B.02.01.L50017_0	12	1
	L.02.06.L50003_0	18	4	56174227	L.02.05.L50003_0	22	1	56174657	B.01.02.L50018_0	4	1
	L.02.06.L50003_1	18	4		L.02.05.L50003_1	22	1	56174658	B.01.02.L50018_0	7	1
	M.02.03.L50003_0	16	2		L.02.06.L50003_0	23	1	56174659	B.01.02.L50018_0	9	1
56171223	B.12.02.L50017_0	13	1		L.02.06.L50003_1	23	1	56174660	A.02.03.L50018_0	19	1

SPARE PARTS INSTANCE INDEX

Code	Parts Table	Pos.	Q.ty	Code	Parts Table	Pos.	Q.ty	Code	Parts Table	Pos.	Q.ty
56174661	A.02.03.L50018_0	14	1	56370081	C.01.02.L50003_0	4	2	56370539	W.03.02.L50003_0	13	4
56174665	F.04.01.L50017_0	1	1		D.10.01.L50017_0	15	1	56370582	D.11.01.L50017_0	12	1
56174666	B.04.04.L50003_0	23	1		L.02.06.L50003_0	47	1	56370583	D.11.01.L50017_0	11	1
56174667	B.04.04.L50003_0	22	1		L.02.06.L50003_1	48	1	56370696	T.03.01.L50003_0	4	2
56174668	B.04.04.L50003_0	32	2	56370089	D.01.02.L50003_0	16	1	56370830	D.09.02.L50003_0	14	1
56174691	B.01.02.L50018_0	17	1		D.09.02.L50003_0	14	1	56370957	T.02.02.L50003_0	9,1	1
56174725	F.01.04.L50004_0	20	2	56370127	D.01.02.L50003_0	16	1	56371037	D.01.02.L50003_0	20	2
56174728	A.01.02.L50018_0	18	1		D.09.02.L50003_0	14	1		D.09.02.L50003_0	9	2
	A.01.02.L50018_1	18	1	56370128	D.01.02.L50003_0	16	1	56371065	D.07.01.L50017_0	21	1
56174835	B.02.01.L50017_0	18	1		D.09.02.L50003_0	14	1	56371162	D.02.02.L50003_0	19	1
56174873	B.01.02.L50018_0	25	1	56370154	D.07.01.L50017_0	25	1		D.02.02.L50003_1	18	1
56174919	C.01.02.L50003_0	21	1	56370165	D.07.01.L50017_0	23	1	56371721	D.15.03.L50003_0	15	1
56174976	A.04.02.L50017_0	8	1	56370172	D.07.01.L50017_0	19	3	56372282	D.12.01.L50017_0	38	1
56174987	F.02.02.L50018_0	4	1	56370177	D.07.01.L50017_0	22	1		D.12.01.L50017_1	40	1
56174988	F.02.02.L50018_0	5	1	56370178	C.02.02.L50003_0	16	2	56372536	D.01.02.L50003_0	4	1
56175158	B.01.02.L50018_0	21	1		D.12.01.L50017_0	6	1	56373194	D.03.01.L50017_0	33	1
56175189	A.01.02.L50018_0	5	1		D.12.01.L50017_1	6	1	56373213	D.07.01.L50017_0	24	1
	A.01.02.L50018_1	5	1		D.13.01.L50017_0	14	1	56373426	M.01.01.L50017_0	42	1
56175206	B.12.01.L50017_0	15	1	56370186	D.07.01.L50017_0	14	5	56373427	M.01.01.L50017_0	42	1
56175294	F.02.02.L50018_0	18	1	56370187	D.11.01.L50017_0	5	1	56373428	M.01.01.L50017_0	42	1
56175364	B.02.01.L50017_0	1,8	1	56370204	D.11.01.L50017_0	7	1	56373436	M.01.01.L50017_0	53	1
56175365	B.02.01.L50017_0	1,6	1	56370209	D.01.02.L50003_0	12	1	56373800	C.01.02.L50003_0	18	2
56175540	B.03.03.L50003_0	25	2	56370210	D.01.02.L50003_0	12	1		C.03.02.L50003_0	12	2
56175670	D.02.02.L50003_0	17	1	56370211	D.01.02.L50003_0	12	1	56374076	D.13.01.L50017_0	15	1
56175718	B.04.04.L50003_0	39	2	56370212	D.01.02.L50003_0	12	1	56374430	D.13.01.L50017_0	5	1
56175799	B.01.02.L50018_0	22	1	56370267	D.02.02.L50003_0	29	1	56374556	C.02.02.L50003_0	15	2
56276371	C.02.02.L50003_0	26,1	1		D.02.02.L50003_1	28	1	56374557	C.02.02.L50003_0	17	2
56276372	C.02.02.L50003_0	26,2	1	56370282	L.01.01.L50017_0	22	4	56374574	M.01.01.L50017_0	51	1
56370018	D.07.01.L50017_0	10	6		M.01.01.L50017_0	32	4	56375008	T.03.02.L50003_0	2	2
56370037	D.02.02.L50003_0	34	1	56370287	L.01.01.L50017_0	24	2	56375146	M.01.01.L50017_0	25	1
	D.02.02.L50003_1	33	1		M.01.01.L50017_0	34	2	56375147	M.01.01.L50017_0	21	1
56370038	D.14.02.L50003_0	3	2	56370288	L.01.01.L50017_0	17	2	56470002	D.02.02.L50003_0	20	1
56370076	D.10.01.L50017_0	10	6		M.01.01.L50017_0	18	1		D.02.02.L50003_1	19	1
56370079	D.10.01.L50017_0	7	1	56370539	W.03.01.L50003_0	14	4	56470110	D.04.01.L50017_0	3	1



SPARE PARTS INSTANCE INDEX

Code	Parts Table	Pos.	Q.ty	Code	Parts Table	Pos.	Q.ty	Code	Parts Table	Pos.	Q.ty
56470111	D.04.01.L50017_0	14	1	56475757	D.12.01.L50017_0	47	1	57374554	B.02.01.L50017_0	17-gen	1
56470139	D.04.01.L50017_0	10	1		D.12.01.L50017_1	51	1	57374592	B.04.04.L50003_0	4	1
56470215	D.01.02.L50003_0	5	1	56475839	D.08.01.L50017_0	5	0	57374593	B.04.04.L50003_0	3	1
56470231	D.14.02.L50003_0	4	2	56475844	D.12.01.L50017_0	48	1	57374892	B.09.01.L50017_0	5	1
56470299	D.13.01.L50017_0	1	1		D.12.01.L50017_1	52	1	57374977	B.02.01.L50017_0	17-feb	1
56470365	D.15.03.L50003_0	18	1	56570016	C.02.02.L50003_0	1,1	2	57375195	M.02.03.L50003_0	39	1
56470797	D.15.03.L50003_0	11	2		D.07.01.L50017_0	17	1	58025869	M.01.01.L50017_0	42	1
56470813	D.01.02.L50003_0	24	4		L.01.01.L50017_0	5	2	58048002	A.02.03.L50018_0	24	2
56470814	D.09.02.L50003_0	16	1		M.01.01.L50017_0	6	2		B.01.02.L50018_0	12	1
56470815	D.09.02.L50003_0	15	1	56570125	D.07.01.L50017_0	38	2	58070071	D.10.01.L50017_0	4	1
56470987	D.12.01.L50017_0	26	1	56570284	L.01.01.L50017_0	15	1	58070097	B.03.03.L50003_0	26	2
	D.12.01.L50017_1	29	1		M.01.01.L50017_0	16	1	58070164	D.07.01.L50017_0	18	3
56471036	D.01.02.L50003_0	19	1	56570506	M.01.01.L50017_0	20	1	58070168	D.07.01.L50017_0	20	3
	D.09.02.L50003_0	10	1	56573661	D.02.02.L50003_0	5	1	58070169	D.07.01.L50017_0	8	3
56473818	D.04.01.L50017_0	6	1		D.02.02.L50003_1	5	1	58070198	D.11.01.L50017_0	10	1
56473880	D.12.01.L50017_0	21	1	56574008	T.02.02.L50003_0	1	1	58070205	D.11.01.L50017_0	15	1
56473890	D.12.01.L50017_0	47	1	56575035	T.02.01.L50003_0	1	2	58070262	D.02.02.L50003_0	28	1
	D.12.01.L50017_1	51	1	57174915	A.05.01.L50017_0	1,3	1		D.02.02.L50003_1	27	1
56474013	C.02.02.L50003_0	28	1	57275029	B.04.04.L50003_0	17	1	58070268	D.02.02.L50003_0	30	1
56474713	D.12.01.L50017_0	47	1	57275031	B.04.04.L50003_0	18	1		D.02.02.L50003_1	29	1
	D.12.01.L50017_1	51	1	57371900	A.05.01.L50017_0	2	1	58070366	D.14.02.L50003_0	9	2
56474714	D.12.01.L50017_0	47	1	57372341	A.04.01.L50017_0	13	1	58070480	T.02.02.L50003_0	9,3	2
56475398	D.12.01.L50017_0	47	1	57372345	F.01.04.L50004_0	30	1	58070482	T.02.02.L50003_0	10,8	1
	D.12.01.L50017_1	51	1		F.03.03.L50003_0	30	2	58070484	T.02.02.L50003_0	9,5	1
56475416	D.12.01.L50017_0	47	1	57374133	B.03.03.L50003_0	9	1	58070511	L.02.05.L50003_0	32	1
	D.12.01.L50017_1	51	1		B.05.03.L50003_0	8	1		L.02.06.L50003_0	33	1
56475417	D.12.01.L50017_0	47	1	57374134	B.03.03.L50003_0	8	1	58070513	L.02.05.L50003_0	33	1
	D.12.01.L50017_1	51	1		B.05.03.L50003_0	9	1		L.02.05.L50003_1	38	1
56475516	D.12.01.L50017_0	45	1	57374522	B.03.03.L50003_0	4	1		L.02.06.L50003_0	34	1
	D.12.01.L50017_1	49	1	57374523	B.03.03.L50003_0	3	1		L.02.06.L50003_1	39	1
56475517	D.12.01.L50017_0	47	1	57374532	B.04.04.L50003_0	28	1		M.02.03.L50003_0	54	1
	D.12.01.L50017_1	51	1	57374553	B.08.01.L50017_0	21	1	58070562	T.02.01.L50003_0	13,5	1
56475518	D.12.01.L50017_0	47	1		B.08.01.L50017_1	21	1	58070690	A.05.01.L50017_0	17	1
56475568	D.12.01.L50017_1	22	1		B.08.01.L50017_2	21	1	58070741	D.07.01.L50017_0	36	5



SPARE PARTS INSTANCE INDEX

Code	Parts Table	Pos.	Q.ty	Code	Parts Table	Pos.	Q.ty	Code	Parts Table	Pos.	Q.ty
58070741	D.13.01.L50017_0	18	1	58072511	B.07.03.L50003_0	30	1	58074789	B.07.03.L50003_0	03-feb	2
58070743	C.02.02.L50003_0	1,2	5	58072517	B.07.03.L50003_0	29	1	58074790	B.07.03.L50003_0	03-gen	2
58070790	D.03.01.L50017_0	20	2	58072568	E.03.01.L50017_0	9	1	58074791	B.07.03.L50003_0	4	2
	D.03.01.L50017_0	38	1	58072575	B.07.03.L50003_0	22	1	58074792	B.07.03.L50003_0	1	1
	D.15.03.L50003_0	5	1	58072737	B.07.03.L50003_0	26	1	58074793	B.07.03.L50003_0	2	1
58070848	T.02.01.L50003_0	15	1	58073034	T.02.02.L50003_0	12	1	58074825	A.02.03.L50018_0	8	1
58070952	T.02.02.L50003_0	9	2	58073147	L.02.05.L50003_0	06-feb	1	58074831	B.01.02.L50018_0	16	1
58070953	T.02.02.L50003_0	9,6	1		L.02.05.L50003_1	06-feb	1	58074837	B.07.03.L50003_0	7	1
58070954	T.02.02.L50003_0	9,9	1		L.02.06.L50003_0	6,2	1	58074839	B.07.03.L50003_0	15	1
58070955	T.02.02.L50003_0	9,7	1		L.02.06.L50003_1	6,2	1	58074841	B.07.03.L50003_0	8	1
58070956	T.02.02.L50003_0	9,1	1		M.02.03.L50003_0	06-feb	1	58074846	B.07.03.L50003_0	16	1
58071305	E.03.01.L50017_0	10	1	58073156	B.07.03.L50003_0	25	1	58074848	B.07.03.L50003_0	21	1
58071307	E.01.01.L50017_0	4	1	58073205	T.02.02.L50003_0	10	2	58074872	F.01.04.L50004_0	20	1
58071308	E.01.01.L50017_0	5	1	58073206	T.02.02.L50003_0	10,7	1		F.03.03.L50003_0	20	4
58071313	E.02.02.L50018_0	3	1	58073212	T.02.02.L50003_0	10,4	1	58074874	A.03.02.L50018_0	21	1
58071322	T.02.02.L50003_0	4	2	58073411	M.01.01.L50017_0	43	2	58074880	B.07.03.L50003_0	11	1
58071755	T.02.01.L50003_0	13,1	2	58073461	D.02.02.L50003_0	12,1	1	58074895	A.05.01.L50017_0	19-feb	1
	T.02.02.L50003_0	10,1	2		D.02.02.L50003_1	12,1	1	58074901	B.08.01.L50017_0	07-gen	1
58071757	T.02.01.L50003_0	14	2	58073644	B.07.03.L50003_0	9	1		E.03.01.L50017_0	01-gen	1
	T.02.02.L50003_0	11	2	58074092	D.12.01.L50017_0	37	1	58074903	E.02.02.L50018_0	7	1
58072053	T.02.01.L50003_0	13,3	1		D.12.01.L50017_1	39	1	58074904	E.01.01.L50017_0	1	1
58072054	T.02.02.L50003_0	10,6	1	58074220	B.07.03.L50003_0	13	1	58074905	E.03.01.L50017_0	3	1
58072055	T.02.01.L50003_0	13,6	1	58074221	B.07.03.L50003_0	12	1	58074921	F.01.04.L50004_0	12	1
58072074	A.02.03.L50018_0	9	1	58074222	B.07.03.L50003_0	14	1		F.03.03.L50003_0	12	2
58072081	E.02.02.L50018_0	4	1	58074558	D.03.01.L50017_0	10	2	58074958	L.02.05.L50003_0	39	2
58072107	D.08.01.L50017_0	3	0	58074735	F.01.04.L50004_0	26	2		L.02.05.L50003_1	40	2
58072389	D.12.01.L50017_0	36	1		F.03.03.L50003_0	26	2		L.02.06.L50003_0	40	1
	D.12.01.L50017_1	38	1	58074736	F.04.01.L50017_0	27	1		L.02.06.L50003_1	41	1
58072398	D.12.01.L50017_0	43	4	58074737	F.01.04.L50004_0	24	1		M.02.03.L50003_0	55	2
	D.12.01.L50017_1	46	4		F.03.03.L50003_0	24	1	58075021	B.07.03.L50003_0	20	1
58072399	D.12.01.L50017_0	39	1	58074777	B.07.03.L50003_0	10	1	58075022	B.07.03.L50003_0	17	1
	D.12.01.L50017_1	41	1	58074786	B.07.03.L50003_0	5	1	58075080	L.02.05.L50003_0	38	2
58072509	B.07.03.L50003_0	28	1	58074787	B.07.03.L50003_0	6	1		L.02.05.L50003_1	39	2
58072510	B.07.03.L50003_0	31	1	58074788	B.07.03.L50003_0	03-mar	2		L.02.06.L50003_0	39	1

SPARE PARTS INSTANCE INDEX

Code	Parts Table	Pos.	Q.ty	Code	Parts Table	Pos.	Q.ty	Code	Parts Table	Pos.	Q.ty
58075080	L.02.06.L50003_1	40	1	58075843	T.02.02.L50003_0	10,3	1	58170376	B.08.01.L50017_1	15	2
58075082	L.02.05.L50003_0	46	1	58076937	B.07.03.L50003_0	23	1		B.08.01.L50017_2	15	2
	L.02.05.L50003_1	47	1	58170013	C.02.02.L50003_0	27	1	58170436	B.02.01.L50017_0	3	1
	M.02.03.L50003_0	62	1	58170021	C.03.02.L50003_0	4	1	58170443	D.02.02.L50003_0	24	1
58075153	B.07.03.L50003_0	18	1	58170034	D.02.02.L50003_0	31	6		D.02.02.L50003_1	23	1
58075159	M.02.03.L50003_0	27	1		D.02.02.L50003_1	30	6	58170449	T.02.01.L50003_0	18	1
58075160	M.02.03.L50003_0	50	1	58170045	D.14.02.L50003_0	1	2		T.02.02.L50003_0	15	1
58075193	A.05.01.L50017_0	19-gen	1	58170054	D.07.01.L50017_0	7	3	58170453	B.08.01.L50017_0	7,1	1
58075226	L.02.05.L50003_0	40	1	58170070	D.10.01.L50017_0	12	3		E.03.01.L50017_0	1,1	1
	L.02.05.L50003_1	41	1	58170077	C.02.02.L50003_0	13	2	58170512	L.02.05.L50003_0	34	1
	L.02.06.L50003_0	41	1	58170130	D.04.01.L50017_0	23	1		L.02.05.L50003_1	35	1
	L.02.06.L50003_1	42	1		D.12.01.L50017_0	11	1		L.02.06.L50003_0	35	1
	M.02.03.L50003_0	56	1		D.12.01.L50017_1	10	1		L.02.06.L50003_1	36	1
58075228	F.02.02.L50018_0	14	1	58170181	W.03.01.L50003_0	1,1	1		M.02.03.L50003_0	51	1
58075229	F.02.02.L50018_0	15	1		W.03.01.L50003_0	5,1	1	58170571	E.03.01.L50017_0	3,2	1
58075247	L.02.05.L50003_0	06-gen	1	58170195	D.11.01.L50017_0	6	2	58170572	E.03.01.L50017_0	3,1	1
	L.02.05.L50003_1	06-gen	1	58170233	A.01.02.L50018_0	13	1	58170700	E.02.02.L50018_0	7,1	1
	L.02.06.L50003_0	6,1	1	58170236	B.08.01.L50017_0	12	1	58170703	D.14.02.L50003_0	2	4
	L.02.06.L50003_1	6,1	1	58170238	A.05.01.L50017_0	3	1	58170938	W.03.02.L50003_0	6	1
	M.02.03.L50003_0	06-gen	1	58170245	L.01.01.L50017_0	21	2	58170947	E.03.01.L50017_0	11	2
58075250	B.07.03.L50003_0	19	1		M.01.01.L50017_0	31	2	58170959	B.12.01.L50017_0	01-feb	1
58075358	L.02.05.L50003_1	34	1	58170279	D.04.01.L50017_0	8	1	58170968	B.03.03.L50003_0	32	1
	L.02.06.L50003_1	35	1	58170291	L.01.01.L50017_0	16	2	58170995	B.12.01.L50017_0	01-mar	1
58075384	B.08.01.L50017_0	07-feb	1		M.01.01.L50017_0	17	2	58171000	T.02.01.L50003_0	6	2
	B.08.01.L50017_1	07-feb	1	58170306	D.02.02.L50003_0	21	2	58171004	T.02.01.L50003_0	15,6	1
	B.08.01.L50017_2	07-feb	1		D.02.02.L50003_1	20	2		T.02.02.L50003_0	12,5	1
	E.03.01.L50017_0	01-feb	1	58170344	B.08.01.L50017_0	19	1	58171005	T.02.01.L50003_0	15,5	1
58075515	D.12.01.L50017_0	46	5		B.08.01.L50017_1	19	1	58171006	T.02.01.L50003_0	15,4	1
	D.12.01.L50017_1	50	5		B.08.01.L50017_2	19	1		T.02.02.L50003_0	12,3	1
58075603	L.01.01.L50017_0	7	1	58170345	B.08.01.L50017_0	20	1	58171007	T.02.01.L50003_0	15,1	1
	M.01.01.L50017_0	8	1		B.08.01.L50017_1	20	1	58171021	T.02.01.L50003_0	7	2
58075607	A.01.02.L50018_1	29	1		B.08.01.L50017_2	20	1		T.02.02.L50003_0	4,2	1
58075776	B.08.01.L50017_1	07-gen	1	58170352	F.01.04.L50004_0	13	1	58171027	A.04.01.L50017_0	1,4	1
	B.08.01.L50017_2	07-gen	1	58170376	B.08.01.L50017_0	15	2		A.04.02.L50017_0	1,4	1

SPARE PARTS INSTANCE INDEX

Code	Parts Table	Pos.	Q.ty	Code	Parts Table	Pos.	Q.ty	Code	Parts Table	Pos.	Q.ty
58171028	A.04.01.L50017_0	1,3	1	58172013	M.02.03.L50003_0	13	1	58172400	D.12.01.L50017_0	31	1
	A.04.02.L50017_0	1,3	1	58172014	I.01.01.L50017_0	11,2	1		D.12.01.L50017_1	33	1
58171069	A.04.02.L50017_0	6	1		I.01.01.L50017_0	5	1	58172402	D.12.01.L50017_0	32	1
58171160	F.01.04.L50004_0	1	1	58172015	L.02.05.L50003_0	10	1		D.12.01.L50017_1	34	1
	F.03.03.L50003_0	1	1		L.02.05.L50003_1	10	1	58172447	D.12.01.L50017_0	33	7
58171199	A.01.02.L50018_0	1,1	1		L.02.06.L50003_0	10	1		D.12.01.L50017_1	35	8
	A.01.02.L50018_1	1,1	1		L.02.06.L50003_1	10	1	58172448	D.12.01.L50017_0	34	7
58171200	A.01.02.L50018_0	1,2	1	58172016	I.01.01.L50017_0	12	1		D.12.01.L50017_1	36	8
	A.01.02.L50018_1	1,2	1		L.02.05.L50003_0	20	6	58172463	F.04.01.L50017_0	7	2
58171215	D.15.03.L50003_0	17	1		L.02.05.L50003_1	20	6	58172489	I.01.01.L50017_0	8	1
58171239	B.12.01.L50017_0	3	1		L.02.06.L50003_0	21	4		L.02.05.L50003_0	15	1
58171536	L.01.01.L50017_0	21,2	1		L.02.06.L50003_1	21	4		L.02.05.L50003_1	15	1
	M.01.01.L50017_0	31,2	1		M.02.03.L50003_0	20	3		L.02.06.L50003_0	16	1
58171537	L.01.01.L50017_0	21,1	1	58172017	I.01.01.L50017_0	13	1		L.02.06.L50003_1	16	1
	M.01.01.L50017_0	31,1	1	58172018	I.01.01.L50017_0	14	1	58172589	F.04.01.L50017_0	20-feb	1
58171737	F.01.04.L50004_0	29,2	1	58172105	D.02.02.L50003_0	33	5		L.02.05.L50003_0	29	1
	F.03.03.L50003_0	29,2	1		D.02.02.L50003_1	32	5		L.02.05.L50003_1	29	1
58171901	A.05.01.L50017_0	21	1	58172106	D.02.02.L50003_0	32	5		L.02.06.L50003_0	30	1
58171925	I.01.01.L50017_0	10	1		D.02.02.L50003_1	31	5		L.02.06.L50003_1	30	1
58172011	I.01.01.L50017_0	1	1	58172120	L.02.05.L50003_0	37	1		M.02.03.L50003_0	25	1
	L.02.05.L50003_0	12	1		L.02.06.L50003_0	38	1	58172707	I.01.01.L50017_0	2	1
	L.02.05.L50003_1	12	2	58172240	I.01.01.L50017_0	11,3	1	58172806	F.01.04.L50004_0	25	2
	L.02.06.L50003_0	12	1		I.01.01.L50017_0	6	1	58173030	D.03.01.L50017_0	5	1
	L.02.06.L50003_1	12	1	58172267	B.08.01.L50017_0	7,2	1	58173072	T.02.01.L50003_0	15,2	1
	M.02.03.L50003_0	14	1		E.03.01.L50017_0	1,2	1	58173074	T.02.02.L50003_0	12,1	1
58172012	I.01.01.L50017_0	3	1	58172304	I.01.01.L50017_0	7	1	58173075	T.02.02.L50003_0	12,4	1
	L.02.05.L50003_0	14	1		L.02.05.L50003_0	11	2	58173116	B.08.01.L50017_0	19,1	2
	L.02.06.L50003_0	14	1		L.02.05.L50003_1	11	2		B.08.01.L50017_0	20,1	2
	L.02.06.L50003_1	14	1		L.02.06.L50003_0	11	2		B.08.01.L50017_1	19,1	2
58172013	I.01.01.L50017_0	4	1		L.02.06.L50003_1	11	2		B.08.01.L50017_1	20,1	2
	L.02.05.L50003_0	13	2		M.02.03.L50003_0	12	1		B.08.01.L50017_2	19,1	2
	L.02.05.L50003_1	13	2	58172359	A.04.01.L50017_0	1	1		B.08.01.L50017_2	20,1	2
	L.02.06.L50003_0	13	2	58172400	D.02.02.L50003_0	25	1	58173119	B.08.01.L50017_0	19,2	2
	L.02.06.L50003_1	13	2		D.02.02.L50003_1	24	1		B.08.01.L50017_0	20,2	2



SPARE PARTS INSTANCE INDEX

Code	Parts Table	Pos.	Q.ty	Code	Parts Table	Pos.	Q.ty	Code	Parts Table	Pos.	Q.ty
58173119	B.08.01.L50017_1	19,2	2	58174581	M.01.01.L50017_0	12	1	58175196	M.02.03.L50003_0	41	1
	B.08.01.L50017_1	20,2	2	58174604	A.03.02.L50018_0	1/02	1	58175205	W.03.02.L50003_0	9	1
	B.08.01.L50017_2	19,2	2	58174605	A.03.02.L50018_0	1/01	1	58175209	C.01.02.L50003_0	20	1
	B.08.01.L50017_2	20,2	2	58174608	A.03.02.L50018_0	5	4	58175211	M.02.03.L50003_0	44/01	1
58173120	B.08.01.L50017_0	19,3	1	58174612	A.01.02.L50018_0	23	1	58175222	F.02.02.L50018_0	3	1
	B.08.01.L50017_1	19,3	1		A.01.02.L50018_1	23	1	58175630	W.03.01.L50003_0	8,1	1
	B.08.01.L50017_2	19,3	1	58174716	D.02.02.L50003_0	2	1	58175668	T.02.01.L50003_0	5,2	1
58173121	B.08.01.L50017_0	20,3	1		D.02.02.L50003_1	2	1	58175700	E.03.01.L50017_0	2	1
	B.08.01.L50017_1	20,3	1	58174732	F.04.01.L50017_0	25	1	58175769	B.08.01.L50017_1	12	1
	B.08.01.L50017_2	20,3	1	58174774	F.01.04.L50004_0	1	1		B.08.01.L50017_2	12	1
58173165	A.04.01.L50017_0	1,5	1	58174775	F.02.02.L50018_0	1	1	58175770	B.08.01.L50017_1	13	1
	A.04.02.L50017_0	1,5	1	58174834	B.08.01.L50017_0	13	1		B.08.01.L50017_2	13	1
58173178	W.03.02.L50003_0	1	1	58174842	B.08.01.L50017_0	11	1	58175772	B.08.01.L50017_1	11	1
58173195	D.03.01.L50017_0	19,1	2	58174882	B.01.02.L50018_0	3	1		B.08.01.L50017_2	11	1
	D.03.01.L50017_0	31,1	2	58174928	B.08.01.L50017_0	14	1	58175773	A.01.02.L50018_1	13	1
	D.03.01.L50017_0	36,1	2		B.08.01.L50017_1	14	1	59070012	C.01.02.L50003_0	14	1
58173361	I.01.01.L50017_0	9	1		B.08.01.L50017_2	14	1	59070065	D.01.02.L50003_0	23	1
	L.02.05.L50003_1	14	1	58174959	A.01.02.L50018_0	2	1		D.09.02.L50003_0	12	1
	L.02.06.L50003_0	15	1		A.01.02.L50018_1	2	1	59070094	D.10.01.L50017_0	13	1
	L.02.06.L50003_1	15	1	58174974	I.01.01.L50017_0	11	1	59070289	L.01.01.L50017_0	18	1
	M.02.03.L50003_0	18	1	58174984	T.02.01.L50003_0	13	2		M.01.01.L50017_0	28	1
58173399	F.04.01.L50017_0	10	1	58175014	F.01.04.L50004_0	18	2	59070290	L.01.01.L50017_0	19	1
58173437	B.12.02.L50017_0	4	1	58175044	A.04.02.L50017_0	1	1		M.01.01.L50017_0	29	1
58173505	F.01.04.L50004_0	14	1	58175083	L.02.05.L50003_0	48	1	59070333	D.15.03.L50003_0	6	1
58173506	F.01.04.L50004_0	30	2		L.02.05.L50003_1	49	1	59070448	T.02.01.L50003_0	19	1
58173664	D.02.02.L50003_0	9	1		M.02.03.L50003_0	64	1		T.02.02.L50003_0	16	1
	D.02.02.L50003_1	9	1	58175085	A.03.02.L50018_0	1,1	1	59070591	B.03.03.L50003_0	30	1
58173961	D.03.01.L50017_0	4	1	58175121	A.01.02.L50018_0	25	1	59070592	B.05.03.L50003_0	26	1
58174192	D.07.01.L50017_0	1	3		A.01.02.L50018_1	25	1	59070702	T.03.01.L50003_0	1	1
58174305	F.01.04.L50004_0	29	2	58175122	F.01.04.L50004_0	7	1	59070838	C.02.02.L50003_0	18	2
	F.03.03.L50003_0	29	1	58175187	M.02.03.L50003_0	45	2	59070902	B.03.03.L50003_0	21	1
58174417	D.03.01.L50017_0	45	1	58175188	M.02.03.L50003_0	44/02	1	59070903	B.03.03.L50003_0	22	1
58174552	D.01.02.L50003_0	1	1	58175191	I.01.01.L50017_0	15	1	59070950	T.02.02.L50003_0	6	1
58174581	L.01.01.L50017_0	11	1		M.02.03.L50003_0	32	1	59070951	T.02.02.L50003_0	5	1



SPARE PARTS INSTANCE INDEX

Code	Parts Table	Pos.	Q.ty	Code	Parts Table	Pos.	Q.ty	Code	Parts Table	Pos.	Q.ty
59071091	B.05.03.L50003_0	32	1	59074438	D.08.01.L50017_0	4	0	59074756	F.01.04.L50004_0	31	1
59071195	B.03.03.L50003_0	29	1	59074443	L.01.01.L50017_0	12	1	59074757	F.01.04.L50004_0	27	1
59071241	B.12.01.L50017_0	12	1		M.01.01.L50017_0	13	1	59074758	F.01.04.L50004_0	26	1
59071966	B.05.03.L50003_0	33	1	59074459	D.15.03.L50003_0	24	1	59074759	L.02.05.L50003_0	26	1
59072057	L.02.05.L50003_0	19	4	59074602	B.04.04.L50003_0	2	1		L.02.05.L50003_1	26	1
	L.02.05.L50003_1	19	4	59074603	B.04.04.L50003_0	1	1		L.02.06.L50003_0	27	1
	L.02.06.L50003_0	20	4	59074617	A.05.01.L50017_0	22	1		L.02.06.L50003_1	27	1
	L.02.06.L50003_1	20	4	59074623	D.03.01.L50017_0	13	1	59074979	T.02.01.L50003_0	3	1
	M.02.03.L50003_0	19	2	59074624	A.01.02.L50018_0	27	1	59074983	T.02.01.L50003_0	2	1
59072380	A.05.01.L50017_0	13	1		A.01.02.L50018_1	27	1	59074993	D.12.01.L50017_0	59	1
59072572	D.13.01.L50017_0	20	1	59074630	A.03.02.L50018_0	8	1		D.12.01.L50017_1	63	1
59072974	F.01.04.L50004_0	5	1	59074638	A.04.01.L50017_0	08-feb	1	59075004	T.02.01.L50003_0	13,7	1
	F.03.03.L50003_0	5	1	59074639	A.05.01.L50017_0	12	1	59075012	T.03.02.L50003_0	1,1	1
59073184	A.04.02.L50017_0	7	1	59074640	F.04.01.L50017_0	16	1	59075028	T.02.01.L50003_0	8	2
59073189	L.01.01.L50017_0	30	1	59074662	B.02.01.L50017_0	20	2	59075037	L.02.05.L50003_0	25	1
59073674	B.04.04.L50003_0	6	1	59074673	B.03.03.L50003_0	1	1		L.02.05.L50003_1	25	1
59073678	B.04.04.L50003_0	5	1	59074674	B.03.03.L50003_0	2	1		L.02.06.L50003_0	26	1
59073681	A.02.03.L50018_0	10/02	1	59074675	B.05.03.L50003_0	1	1		L.02.06.L50003_1	26	1
59073685	D.03.01.L50017_0	25	1	59074676	B.05.03.L50003_0	2	1	59075039	L.02.05.L50003_0	27	1
59073693	D.15.03.L50003_0	1	1	59074727	A.01.02.L50018_0	15	1		L.02.05.L50003_1	27	1
59073725	D.03.01.L50017_0	19	1		A.01.02.L50018_1	15	1		L.02.06.L50003_0	28	1
59074077	D.13.01.L50017_0	19	1	59074741	D.03.01.L50017_0	8	1		L.02.06.L50003_1	28	1
59074081	D.03.01.L50017_0	36	1	59074742	F.04.01.L50017_0	12	1		M.02.03.L50003_0	24	1
59074185	D.07.01.L50017_0	02-gen	1	59074743	F.04.01.L50017_0	22	1	59075063	F.02.02.L50018_0	11	1
59074188	D.07.01.L50017_0	4	1	59074744	F.04.01.L50017_0	19	1	59075081	B.05.03.L50003_0	13	1
59074206	D.03.01.L50017_0	31	1	59074745	F.01.04.L50004_0	4	1	59075137	M.01.01.L50017_0	60	1
59074249	B.05.03.L50003_0	18	2	59074748	F.04.01.L50017_0	23	1	59075140	M.01.01.L50017_0	55	1
59074296	D.03.01.L50017_0	39	1	59074749	F.04.01.L50017_0	24	1	59075148	M.01.01.L50017_0	19	1
59074346	A.02.03.L50018_0	10/01	1	59074750	F.01.04.L50004_0	3	1	59075169	M.02.03.L50003_0	7	1
59074387	D.07.01.L50017_0	03-gen	1	59074754	L.02.05.L50003_0	7	1	59075171	M.02.03.L50003_0	49	1
59074391	B.05.03.L50003_0	10	2		L.02.05.L50003_1	7	1	59075178	M.01.01.L50017_0	61	1
59074392	B.03.03.L50003_0	11	1		L.02.06.L50003_0	7	1	59075190	A.04.01.L50017_0	08-gen	1
59074393	B.03.03.L50003_0	12	1		L.02.06.L50003_1	7	1	59075224	F.01.04.L50004_0	13	1
59074436	D.08.01.L50017_0	9	0	59074755	F.01.04.L50004_0	32	1		F.03.03.L50003_0	13	6



SPARE PARTS INSTANCE INDEX

Code	Parts Table	Pos.	Q.ty	Code	Parts Table	Pos.	Q.ty	Code	Parts Table	Pos.	Q.ty
59075225	F.01.04.L50004_0	14	1	59900151	B.12.01.L50017_0	02-gen	1	59900337	A.01.02.L50018_0	1,4	1
	F.03.03.L50003_0	14	8	59900152	B.12.01.L50017_0	14	1		A.01.02.L50018_1	1,4	1
59075239	T.04.01.L50018_0	8	1	59900153	B.12.01.L50017_0	8	1	59900340	F.01.04.L50004_0	29,1	1
59075254	M.02.03.L50003_0	37	1	59900154	B.12.01.L50017_0	7	4		F.03.03.L50003_0	29,1	1
59075283	B.01.02.L50018_0	29	1	59900155	B.12.01.L50017_0	06-gen	1	59900344	A.01.02.L50018_0	1,3	1
59075360	L.02.05.L50003_1	32	1	59900156	B.12.01.L50017_0	5	1		A.01.02.L50018_1	1,3	1
	L.02.06.L50003_1	33	1	59900157	B.12.01.L50017_0	10	1	59900345	A.01.02.L50018_0	1,5	1
59075438	T.04.01.L50018_0	12	1	59900158	B.12.01.L50017_0	9	18		A.01.02.L50018_1	1,5	1
59075601	B.02.01.L50017_0	06-feb	1	59900159	B.12.01.L50017_0	4	1	59900347	A.04.01.L50017_0	1,2	1
59075602	B.02.01.L50017_0	06-gen	1	59900160	B.12.01.L50017_0	11	1		A.04.02.L50017_0	1,2	1
59075667	T.02.01.L50003_0	5	2	59900161	B.12.01.L50017_0	13	1	59900353	A.04.01.L50017_0	1,1	1
59075716	B.04.04.L50003_0	34	1	59900162	B.12.01.L50017_0	02-mar	1		A.04.02.L50017_0	1,1	1
59075717	B.04.04.L50003_0	33	1	59900182	B.12.01.L50017_0	02-feb	1	59900354	B.08.01.L50017_0	2	1
59075813	C.02.02.L50003_0	22	1	59900183	B.12.02.L50017_0	5	1		B.08.01.L50017_1	2	1
59075979	M.02.03.L50003_0	28	1	59900184	B.12.02.L50017_0	6	1		B.08.01.L50017_2	2	1
59270303	W.03.01.L50003_0	5	1	59900185	B.12.02.L50017_0	7	1	59900357	A.01.02.L50018_1	28	1
59270304	W.03.01.L50003_0	1	1	59900186	B.12.02.L50017_0	8	1	59900361	W.03.01.L50003_0	1,2	1
59271011	F.04.01.L50017_0	8	1	59900187	B.12.02.L50017_0	9	1		W.03.01.L50003_0	5,2	1
59271860	D.03.01.L50017_0	1	1	59900199	B.12.02.L50017_0	01-feb	1		W.03.01.L50003_0	8,2	1
59272073	D.08.01.L50017_0	7	0	59900200	B.12.02.L50017_0	01-gen	1	59900376	D.12.01.L50017_1	12	1
59273659	D.02.02.L50003_0	12	1	59900230	I.01.01.L50017_0	10,1	1	59978087	D.12.01.L50017_1	27	1
	D.02.02.L50003_1	12	1		I.01.01.L50017_0	11,1	1	F0150010905	W.03.01.L50003_0	11	1
59275513	D.12.01.L50017_0	44	1	59900242	E.03.01.L50017_0	1,3	1		W.03.02.L50003_0	10	1
59275632	W.03.01.L50003_0	8	1	59900298	B.02.01.L50017_0	01-gen	1	F0150036215	B.12.02.L50017_0	02-gen	1
59276002	C.02.02.L50003_0	26	1	59900299	B.02.01.L50017_0	01-feb	1	F0150036216	B.12.02.L50017_0	02-feb	1
59276003	C.02.02.L50003_0	1	1	59900300	B.02.01.L50017_0	01-mar	1	F0150036219	B.12.02.L50017_0	3	1
59276076	D.12.01.L50017_1	47	1	59900301	B.02.01.L50017_0	01-apr	1	F0150051050	T.04.01.L50018_0	1	6
59276708	D.03.01.L50017_0	2	1	59900302	B.02.01.L50017_0	01-mag	1	F0150051145	T.04.01.L50018_0	3	2
59374107	D.12.01.L50017_0	29	1	59900303	B.02.01.L50017_0	01-giu	1	F0190018909	E.02.02.L50018_0	2	1
59374548	D.01.02.L50003_0	13	1	59900304	B.02.01.L50017_0	01-lug	1	F0190032529	B.12.01.L50017_0	01-gen	1
59374549	D.09.02.L50003_0	4	1	59900306	B.02.01.L50017_0	01-set	1	F0190035152	E.03.01.L50017_0	16	1
59375009	T.03.02.L50003_0	1	1	59900307	B.02.01.L50017_0	01-gen	1	F0256808000	A.05.01.L50017_0	27	1
59375435	D.12.01.L50017_0	52	1	59900308	B.02.01.L50017_0	1/011	1		B.04.04.L50003_0	27	2
59377433	D.12.01.L50017_1	56	1	59900309	B.02.01.L50017_0	1/012	1	F0256809050	A.03.02.L50018_0	3	1



SPARE PARTS INSTANCE INDEX

Code	Parts Table	Pos.	Q.ty	Code	Parts Table	Pos.	Q.ty	Code	Parts Table	Pos.	Q.ty
F0801050000	M.01.01.L50017_0	23	1	F0802163010	D.02.02.L50003_0	13	1	F0812599086	D.12.01.L50017_1	12,1	1
F0801095000	D.15.03.L50003_0	23	1		D.02.02.L50003_1	13	1	F0812637000	D.12.01.L50017_0	2	2
F0801241010	D.05.01.L50017_0	4	4	F0802228005	D.12.01.L50017_0	24	1		D.12.01.L50017_1	2	2
	D.12.01.L50017_0	25	1		D.12.01.L50017_1	28	1	F0812660020	D.04.01.L50017_0	21	1
	D.15.03.L50003_0	4	1	F0802239045	D.01.02.L50003_0	8	1	F0812689050	D.12.01.L50017_0	14	1
	L.01.01.L50017_0	23	2	F0802700150	D.10.01.L50017_0	1	1		D.12.01.L50017_1	13	1
	M.01.01.L50017_0	33	2	F0803050000	D.08.01.L50017_0	10	0	F0812708030	D.05.01.L50017_0	2	1
F0801244080	D.12.01.L50017_1	24	2	F0803057000	D.03.01.L50017_0	16	2	F0812736010	D.12.01.L50017_0	28	1
F0801248000	D.12.01.L50017_1	14	1	F0803078100	D.01.02.L50003_0	6	1		D.12.01.L50017_1	30	1
F0801264050	D.02.02.L50003_0	14	1	F0803171100	D.03.01.L50017_0	14	1	F0812783000	D.04.01.L50017_0	19	1
	D.02.02.L50003_1	14	1	F0803185000	L.02.05.L50003_0	2	1	F0812784000	D.12.01.L50017_1	17	2
	D.04.01.L50017_0	1	1		L.02.05.L50003_1	2	1	F0812838000	C.02.02.L50003_0	14	2
F0801266100	D.02.02.L50003_0	23	1		L.02.06.L50003_0	2	1	F0812859000	D.01.02.L50003_0	10	2
	D.02.02.L50003_1	22	1		L.02.06.L50003_1	2	1	F0812868000	D.04.01.L50017_0	2	1
F0801282050	D.12.01.L50017_1	44	1		M.02.03.L50003_0	2	1	F0812868060	D.02.02.L50003_0	18	1
F0801297000	L.02.05.L50003_0	43	12	F0803186000	D.08.01.L50017_0	6	0		D.02.02.L50003_1	17	1
	L.02.05.L50003_1	44	12	F0803199010	D.12.01.L50017_0	61	1	F0812878040	D.04.01.L50017_0	4	2
	L.02.06.L50003_0	44	6		D.12.01.L50017_1	65	1		D.12.01.L50017_0	20	1
	L.02.06.L50003_1	45	6	F0803208020	F.01.04.L50004_0	29	1	F0812899000	D.12.01.L50017_1	26	1
	M.02.03.L50003_0	59	8	F0803209000	C.01.02.L50003_0	12	1	F0812918010	D.04.01.L50017_0	22	1
F0801297050	D.12.01.L50017_0	17	3		D.11.01.L50017_0	4	1		D.12.01.L50017_0	22	2
	D.12.01.L50017_1	48	1	F0803209070	C.01.02.L50003_0	13	1		D.12.01.L50017_1	26	2
F0801331050	L.01.01.L50017_0	20	2	F0808060100	T.03.01.L50003_0	2	1	F0812951200	D.04.01.L50017_0	15	2
	M.01.01.L50017_0	30	2	F0808518050	B.07.03.L50003_0	27	4	F0812951300	D.12.01.L50017_1	20	1
F0801331150	D.04.01.L50017_0	7	2	F0810510000	D.03.01.L50017_0	27	2	F0812952000	D.04.01.L50017_0	13	1
F0801353000	D.04.01.L50017_0	12	1		D.03.01.L50017_0	50	1	F0812956000	D.01.02.L50003_0	15	2
	D.12.01.L50017_0	10	1		D.14.02.L50003_0	5	2		D.09.02.L50003_0	13	2
	D.12.01.L50017_1	9	1		D.15.03.L50003_0	12	3	F0812957010	D.12.01.L50017_0	12	1
F0801380100	D.04.01.L50017_0	16	2	F0810527000	D.03.01.L50017_0	35	1		D.12.01.L50017_1	11	1
F0801389000	D.12.01.L50017_0	15	1		D.03.01.L50017_0	41	1	F0812975250	D.10.01.L50017_0	2	2
F0801422010	D.01.02.L50003_0	11	2	F0810622010	T.02.02.L50003_0	2	2	F0814525000	E.03.01.L50017_0	6	1
F0801455100	D.02.02.L50003_0	35	1	F0812523050	D.02.02.L50003_0	1	1	F0814529080	E.03.01.L50017_0	13	4
	D.02.02.L50003_1	34	1		D.02.02.L50003_1	1	1	F0814545000	A.03.02.L50018_0	16	2
F0802104000	D.09.02.L50003_0	1	1	F0812599086	D.12.01.L50017_0	7	1	F0814547000	B.03.03.L50003_0	7	6

SPARE PARTS INSTANCE INDEX

Code	Parts Table	Pos.	Q.ty	Code	Parts Table	Pos.	Q.ty	Code	Parts Table	Pos.	Q.ty
F0814547000	C.02.02.L50003_0	33	4	F0817512000	A.03.02.L50018_0	22	2	F0824113000	L.02.05.L50003_1	37	4
F0814569000	B.01.02.L50018_0	20	1		A.05.01.L50017_0	18	4		L.02.06.L50003_0	37	4
	D.03.01.L50017_0	22	2	F0817523010	F.01.04.L50004_0	12	10		L.02.06.L50003_1	38	1
	D.03.01.L50017_0	44	1	F0817535000	A.03.02.L50018_0	19	3		M.02.03.L50003_0	53	4
	M.01.01.L50017_0	24	5	F0817550000	A.03.02.L50018_0	20	1	F0824141000	F.01.04.L50004_0	23	7
F0814573000	B.03.03.L50003_0	18	8	F0817568000	A.04.01.L50017_0	14	2		F.03.03.L50003_0	23	1
	B.05.03.L50003_0	17	23		A.04.01.L50017_0	16	1		L.02.05.L50003_0	42	7
F0814574000	A.01.02.L50018_0	17	3		A.04.02.L50017_0	11	1		L.02.05.L50003_1	43	7
	A.01.02.L50018_1	17	3		A.04.02.L50017_0	9	2		L.02.06.L50003_0	43	3
	A.03.02.L50018_0	13	1	F0817568100	A.04.01.L50017_0	18	1		L.02.06.L50003_1	44	3
	A.04.01.L50017_0	11	1		A.04.01.L50017_0	6	3		M.02.03.L50003_0	31	4
	A.04.01.L50017_0	4	3		A.04.02.L50017_0	13	1		M.02.03.L50003_0	58	5
	A.04.02.L50017_0	4	3	F0817640003	D.07.01.L50017_0	5	3	F0824185000	F.01.04.L50004_0	16	2
	A.05.01.L50017_0	10	6	F0822537050	D.03.01.L50017_0	32	1	F0825115010	B.08.01.L50017_0	10	1
	B.02.01.L50017_0	10	4		D.03.01.L50017_0	37	1		B.08.01.L50017_1	10	1
	B.04.04.L50003_0	15	8		D.15.03.L50003_0	2	1		B.08.01.L50017_2	10	1
	D.01.02.L50003_0	3	1	F0824022000	L.02.05.L50003_0	5	1	F0825117000	E.03.01.L50017_0	7	1
	D.02.02.L50003_0	11	2		L.02.05.L50003_1	5	1	F0825139000	E.03.01.L50017_0	1,4	1
	D.02.02.L50003_1	11	2		L.02.06.L50003_0	5	1	F0825400060	B.08.01.L50017_0	9	1
	D.12.01.L50017_0	56	6		L.02.06.L50003_1	5	1		B.08.01.L50017_1	9	1
F0814585000	B.02.01.L50017_0	5	3		M.02.03.L50003_0	5	1		B.08.01.L50017_2	9	1
F0814627000	D.15.03.L50003_0	16	1	F0824110000	D.03.01.L50017_0	18	2	F0825403050	B.08.01.L50017_0	18	1
F0814632000	A.01.02.L50018_0	9	3		F.01.04.L50004_0	9	1		B.08.01.L50017_1	18	1
	A.01.02.L50018_1	9	3		F.02.02.L50018_0	17	1		B.08.01.L50017_2	18	1
	A.03.02.L50018_0	7	6		F.04.01.L50017_0	21	2	F0825404050	E.01.01.L50017_0	2	2
	C.01.02.L50003_0	10	2		L.02.05.L50003_0	30	19	F0825414000	A.05.01.L50017_0	24	2
F0814647000	B.09.01.L50017_0	8	2		L.02.05.L50003_1	30	23		E.03.01.L50017_0	14	2
F0814689020	D.14.02.L50003_0	10	4		L.02.06.L50003_0	31	19	F0825417000	E.02.02.L50018_0	8	1
F0814750010	C.03.02.L50003_0	9	16		L.02.06.L50003_1	31	19	F0825420500	E.01.01.L50017_0	6	2
F0814756000	T.04.01.L50018_0	11	2		M.02.03.L50003_0	11	15	F0825420560	E.01.01.L50017_0	6,1	2
F0814811000	T.02.02.L50003_0	9,11	1	F0824113000	F.01.04.L50004_0	19	2	F0825420600	E.03.01.L50017_0	12	2
F0814907000	T.02.01.L50003_0	13,4	1		F.02.02.L50018_0	13	2	F0825420660	E.03.01.L50017_0	12,1	2
	T.02.02.L50003_0	10,5	1		F.03.03.L50003_0	19	4	F0825436000	B.08.01.L50017_0	7,3	1
	T.02.02.L50003_0	9,8	1		L.02.05.L50003_0	36	4		B.08.01.L50017_1	7,3	1

SPARE PARTS INSTANCE INDEX

Code	Parts Table	Pos.	Q.ty	Code	Parts Table	Pos.	Q.ty	Code	Parts Table	Pos.	Q.ty
F0825436000	B.08.01.L50017_2	7,3	1	F0831047000	D.13.01.L50017_0	9	1	F0843109020	F.04.01.L50017_0	20-gen	1
	E.03.01.L50017_0	1,5	1	F0831065000	B.01.02.L50018_0	13	1		L.02.05.L50003_0	28	5
F0825436003	B.08.01.L50017_0	7,4	1	F0831125000	A.02.03.L50018_0	13	1		L.02.05.L50003_1	28	7
	B.08.01.L50017_1	7,4	1	F0835024010	F.01.04.L50004_0	25	1		L.02.06.L50003_0	29	5
	B.08.01.L50017_2	7,4	1		F.02.02.L50018_0	16	1		L.02.06.L50003_1	29	5
	E.03.01.L50017_0	1,6	1		L.02.05.L50003_0	31	6		M.02.03.L50003_0	10	4
F0825438000	E.03.01.L50017_0	4	1		L.02.05.L50003_1	31	6	F0843110010	F.01.04.L50004_0	18	1
F0825480100	E.02.02.L50018_0	1	1		L.02.06.L50003_0	32	6		F.03.03.L50003_0	18	2
F0825488000	E.03.01.L50017_0	8	2		L.02.06.L50003_1	32	6		L.02.05.L50003_0	35	1
F0825493000	E.03.01.L50017_0	17	1		M.02.03.L50003_0	26	4		L.02.05.L50003_1	36	2
F0825500220	B.08.01.L50017_0	8,1	1	F0835037000	F.03.03.L50003_0	25	1		L.02.06.L50003_0	36	1
	B.08.01.L50017_1	8,1	1		L.02.05.L50003_0	41	5		L.02.06.L50003_1	37	4
	B.08.01.L50017_2	8,1	1		L.02.05.L50003_1	42	5		M.02.03.L50003_0	52	2
F0825718020	F.01.04.L50004_0	18,1	2		L.02.06.L50003_0	42	3	F0843116000	F.01.04.L50004_0	22	5
F0825809000	L.02.05.L50003_0	1	1		L.02.06.L50003_1	43	3		F.03.03.L50003_0	22	1
	L.02.05.L50003_1	1	1		M.02.03.L50003_0	57	3		L.02.05.L50003_0	47	1
	L.02.06.L50003_0	1	1	F0835040030	F.01.04.L50004_0	27	2		L.02.05.L50003_1	48	1
	L.02.06.L50003_1	1	1		F.03.03.L50003_0	27	2		M.02.03.L50003_0	30	2
	M.02.03.L50003_0	1	1	F0835523000	D.03.01.L50017_0	29	1		M.02.03.L50003_0	63	1
F0825980030	L.02.05.L50003_0	44	6	F0837534010	L.02.05.L50003_0	18	4	F0843561000	A.02.03.L50018_0	22	1
	L.02.05.L50003_1	45	6		L.02.05.L50003_1	18	4	F0843570000	A.01.02.L50018_0	11	1
	L.02.06.L50003_0	45	3		L.02.06.L50003_0	19	4		A.01.02.L50018_1	11	1
	L.02.06.L50003_1	46	3		L.02.06.L50003_1	19	4		A.03.02.L50018_0	15	2
	M.02.03.L50003_0	60	4		M.02.03.L50003_0	17	2		A.04.01.L50017_0	10	1
F0826039000	D.03.01.L50017_0	34	1	F0837534060	D.13.01.L50017_0	12	2		B.01.02.L50018_0	24	12
	D.03.01.L50017_0	40	1	F0838154010	D.12.01.L50017_0	54	2		B.02.01.L50017_0	15	2
F0826056000	C.02.02.L50003_0	10	1		D.12.01.L50017_1	58	2		B.04.04.L50003_0	20	4
	C.02.02.L50003_0	8	3	F0838475000	C.01.02.L50003_0	9	2		B.05.03.L50003_0	6	8
	L.01.01.L50017_0	6	2	F0840563000	F.01.04.L50004_0	17	3		B.09.01.L50017_0	11	4
	M.01.01.L50017_0	7	3	F0842512000	F.01.04.L50004_0	21	1		C.01.02.L50003_0	24	6
	T.02.01.L50003_0	4	2		F.03.03.L50003_0	21	1		F.01.04.L50004_0	16	1
	T.03.02.L50003_0	1,2	1	F0843102000	D.08.01.L50017_0	11	0		F.02.02.L50018_0	7	5
F0826057000	C.02.02.L50003_0	9	1		F.04.01.L50017_0	17	3		F.03.03.L50003_0	16	1
F0828029070	A.02.03.L50018_0	1	1	F0843109020	D.03.01.L50017_0	17	1		F.04.01.L50017_0	6	3

SPARE PARTS INSTANCE INDEX

Code	Parts Table	Pos.	Q.ty	Code	Parts Table	Pos.	Q.ty	Code	Parts Table	Pos.	Q.ty
F0843570000	M.01.01.L50017_0	57	2	F0843643060	T.02.02.L50003_0	14	2	F0843921030	T.04.01.L50018_0	10	4
	M.01.01.L50017_0	63	1	F0843696000	B.12.02.L50017_0	12	4	F0843948000	F.01.04.L50004_0	28	4
F0843581010	D.03.01.L50017_0	7	2	F0843711000	B.04.04.L50003_0	38	2		F.03.03.L50003_0	28	2
F0843641000	D.03.01.L50017_0	11	2	F0843755000	A.01.02.L50018_0	8	7		F.04.01.L50017_0	9	1
	D.12.01.L50017_0	58	1		A.01.02.L50018_1	8	7	F0843957000	D.08.01.L50017_0	2	0
	D.12.01.L50017_1	62	1		A.03.02.L50018_0	6	8	F0843993060	W.03.01.L50003_0	17	4
F0843643060	A.01.02.L50018_0	4	7		A.05.01.L50017_0	15	2		W.03.02.L50003_0	16	4
	A.01.02.L50018_1	4	7		B.04.04.L50003_0	9	7	F0844030070	A.01.02.L50018_0	14	1
	A.02.03.L50018_0	5	3		B.05.03.L50003_0	20	8		A.01.02.L50018_1	14	1
	A.03.02.L50018_0	12	1		C.01.02.L50003_0	11	12	F0844150000	W.03.01.L50003_0	3	4
	A.05.01.L50017_0	11	4		E.02.02.L50018_0	6	1		W.03.02.L50003_0	3	4
	B.01.02.L50018_0	19	1		F.01.04.L50004_0	24	4	F0844240000	C.02.02.L50003_0	21	2
	B.02.01.L50017_0	9	4		F.01.04.L50004_0	4	6	F0844273090	C.01.02.L50003_0	5	2
	B.03.03.L50003_0	17	12		F.02.02.L50018_0	10	2		C.03.02.L50003_0	5	1
	B.04.04.L50003_0	26	14		F.03.03.L50003_0	4	6		D.10.01.L50017_0	16	1
	B.05.03.L50003_0	16	26		M.01.01.L50017_0	48	2		L.02.05.L50003_0	49	1
	B.09.01.L50017_0	3	4		T.02.01.L50003_0	12	2		L.02.05.L50003_1	50	1
	C.02.02.L50003_0	20	2		T.04.01.L50018_0	15	9		L.02.06.L50003_0	48	1
	C.02.02.L50003_0	25	2	F0843771000	D.07.01.L50017_0	15	5		L.02.06.L50003_0	49	1
	D.15.03.L50003_0	21	3		D.08.01.L50017_0	12	0		L.02.06.L50003_1	49	1
	F.01.04.L50004_0	22	9		F.04.01.L50017_0	18	9		M.02.03.L50003_0	65	1
	F.01.04.L50004_0	8	4	F0843818000	B.04.04.L50003_0	11	6	F0847434000	D.07.01.L50017_0	37	5
	F.03.03.L50003_0	8	4		B.05.03.L50003_0	21	8		D.13.01.L50017_0	17	1
	F.04.01.L50017_0	3	2	F0843841000	D.03.01.L50017_0	3	2	F0847462000	D.13.01.L50017_0	8	1
	L.01.01.L50017_0	10	2		F.04.01.L50017_0	11	1	F0848655000	W.03.01.L50003_0	10	1
	L.01.01.L50017_0	26	2	F0843843060	B.03.03.L50003_0	24	8		W.03.02.L50003_0	8	1
	L.02.05.L50003_0	9	13		B.05.03.L50003_0	37	4	F0848655100	W.03.01.L50003_0	13	1
	L.02.05.L50003_1	9	13		T.02.01.L50003_0	10	8	F0848664000	W.03.01.L50003_0	4	1
	L.02.06.L50003_0	9	13		T.02.02.L50003_0	8	4	F0848672100	W.03.02.L50003_0	5	1
	L.02.06.L50003_1	9	13	F0843878000	B.05.03.L50003_0	34	2	F0848676050	W.03.01.L50003_0	7	1
	M.01.01.L50017_0	11	2	F0843907000	D.03.01.L50017_0	9	4	F0848679600	W.03.01.L50003_0	12	1
	M.01.01.L50017_0	36	2		F.01.04.L50004_0	11	1	F0848681600	W.03.02.L50003_0	11	1
	M.02.03.L50003_0	9	14		F.04.01.L50017_0	14	10	F0848681605	W.03.02.L50003_0	12	2
	T.02.01.L50003_0	17	2	F0843921030	B.01.02.L50018_0	27	2	F0848844000	W.03.02.L50003_0	4	1



SPARE PARTS INSTANCE INDEX

Code	Parts Table	Pos.	Q.ty	Code	Parts Table	Pos.	Q.ty	Code	Parts Table	Pos.	Q.ty
F0848855000	W.03.01.L50003_0	9	1	F0852550020	L.02.05.L50003_0	45/02	2	F0862462010	L.02.06.L50003_1	4	1
	W.03.02.L50003_0	7	1		L.02.05.L50003_1	46/02	2		M.02.03.L50003_0	4	1
F0848920000	W.03.01.L50003_0	6	1		L.02.06.L50003_0	46,2	1	F0862464050	A.05.01.L50017_0	23	2
F0849206005	A.03.02.L50018_0	14	1		L.02.06.L50003_1	47,2	1	F0862478070	D.10.01.L50017_0	8	3
F0849500001	A.05.01.L50017_0	1,1	1		M.02.03.L50003_0	61/01	2	F0862479020	B.08.01.L50017_0	16	4
F0849500002	A.05.01.L50017_0	1,2	1	F0852550030	L.02.05.L50003_0	45/03	1		B.08.01.L50017_1	16	4
F0850100000	D.05.01.L50017_0	1	1		L.02.05.L50003_1	46/03	1		B.08.01.L50017_2	16	4
F0850100010	D.05.01.L50017_0	1	1		L.02.06.L50003_0	46,3	1	F0862479030	B.03.03.L50003_0	15	8
F0850100020	D.05.01.L50017_0	1	1		L.02.06.L50003_1	47,3	1		B.05.03.L50003_0	14	8
F0851044000	D.01.02.L50003_0	25	4		M.02.03.L50003_0	61/02	1	F0862479032	B.09.01.L50017_0	6	2
F0851156000	D.07.01.L50017_0	33	4	F0852550040	L.02.05.L50003_0	45/04	1	F0862479035	B.03.03.L50003_0	5	6
F0851226000	D.12.01.L50017_0	53	1		L.02.05.L50003_1	46/04	1		B.04.04.L50003_0	19	4
	D.12.01.L50017_1	57	1		M.02.03.L50003_0	61/03	1	F0862481000	B.09.01.L50017_0	4	4
F0851260000	D.11.01.L50017_0	14	1	F0854067050	B.07.03.L50003_0	24	1		M.02.03.L50003_0	35	1
F0851262000	D.07.01.L50017_0	34	4	F0858021000	A.02.03.L50018_0	17	2	F0862495010	B.12.02.L50017_0	11	4
F0851267050	D.07.01.L50017_0	35	3		B.01.02.L50018_0	14	1	F0862549000	D.08.01.L50017_0	14	0
	D.11.01.L50017_0	9	1	F0858520000	A.02.03.L50018_0	7	1	F0862593050	D.01.02.L50003_0	2	1
F0851486000	L.01.01.L50017_0	31	1	F0860060010	D.03.01.L50017_0	42	1		D.02.02.L50003_0	10	2
	M.01.01.L50017_0	54	1	F0860060020	D.03.01.L50017_0	43	1		D.02.02.L50003_1	10	2
	T.02.01.L50003_0	13,2	2	F0861867001	B.08.01.L50017_0	22	3		M.01.01.L50017_0	52	1
	T.02.02.L50003_0	10,2	3		B.08.01.L50017_1	22	3	F0862655000	D.08.01.L50017_0	13	0
	T.02.02.L50003_0	9,2	1		B.08.01.L50017_2	22	3		D.10.01.L50017_0	14	4
	T.03.01.L50003_0	5	2	F0861867050	A.05.01.L50017_0	4	6	F0862694000	D.03.01.L50017_0	21	1
	T.03.02.L50003_0	3	2		E.01.01.L50017_0	3	6		F.01.04.L50004_0	7	4
	T.04.01.L50018_0	7	2	F0861941000	E.03.01.L50017_0	5	1		F.03.03.L50003_0	7	2
F0851497000	B.01.02.L50018_0	30	1	F0861973000	M.02.03.L50003_0	40	4	F0862944000	D.07.01.L50017_0	13	1
	T.03.01.L50003_0	3	1	F0862345000	D.03.01.L50017_0	6	2	F0863183000	D.07.01.L50017_0	39	2
F0852107050	T.02.02.L50003_0	4,1	2		F.04.01.L50017_0	5	2	F0863208050	M.01.01.L50017_0	46	1
F0852538050	F.01.04.L50004_0	10	1	F0862448100	D.03.01.L50017_0	12	2	F0863267050	C.02.02.L50003_0	7	8
F0852540050	C.02.02.L50003_0	2	1		D.12.01.L50017_0	57	1	F0863311250	D.01.02.L50003_0	14	8
F0852550010	L.02.05.L50003_0	45/01	2		D.12.01.L50017_1	61	1		D.09.02.L50003_0	5	8
	L.02.05.L50003_1	46/01	2	F0862462010	L.02.05.L50003_0	4	1	F0863429000	L.01.01.L50017_0	4	4
	L.02.06.L50003_0	46,1	1		L.02.05.L50003_1	4	1		M.01.01.L50017_0	4	4
	L.02.06.L50003_1	47,1	1		L.02.06.L50003_0	4	1	F0863890010	C.01.02.L50003_0	19	16

SPARE PARTS INSTANCE INDEX

Code	Parts Table	Pos.	Q.ty
F0863890010	C.03.02.L50003_0	13	16
F0863925000	C.02.02.L50003_0	04-gen	1
	C.02.02.L50003_0	3	7
F0863951000	C.02.02.L50003_0	5	1
F0863997010	C.02.02.L50003_0	04-feb	1
F0864180000	T.03.01.L50003_0	8	8
	T.03.02.L50003_0	6	8
F0864222010	C.01.02.L50003_0	17	16
F0864245000	T.04.01.L50018_0	9	4
F0864309100	B.03.03.L50003_0	27	2
F0864314000	W.03.01.L50003_0	16	4
	W.03.02.L50003_0	15	4
F0864364000	T.02.01.L50003_0	5,1	1
F0864410500	W.03.01.L50003_0	2	4
	W.03.02.L50003_0	2	4
F0865040000	B.08.01.L50017_0	1	1
	B.08.01.L50017_1	1	1
	B.08.01.L50017_2	1	1
F0865474000	B.08.01.L50017_0	3	1
	B.08.01.L50017_1	3	1
	B.08.01.L50017_2	3	1
F0865474005	B.08.01.L50017_0	3,1	1
	B.08.01.L50017_1	3,1	1
	B.08.01.L50017_2	3,1	1
F0907170122	B.07.03.L50003_0	32	1
P000000260007	A.03.02.L50018_0	2	1
	B.02.01.L50017_0	13	1
P236410000000	B.02.01.L50017_0	2	1
P241171000000	L.02.05.L50003_1	33	1
	L.02.06.L50003_1	34	1
P453668010001	T.02.01.L50003_0	13,9	2
P453672020000	T.02.01.L50003_0	13,8	1
P470330000000	D.12.01.L50017_1	67	1
P470433000000	D.12.01.L50017_1	66	1

Code	Parts Table	Pos.	Q.ty
P988438000001	F.04.01.L50017_0	13	5